

INSTALLATION INSTRUCTIONS

Item#P5421-572

READ AND SAVE THESE INSTRUCTIONS

WARNING! SHUT POWER OFF AT FUSE OR CIRCUIT BREAKER.

AVERTISSEMENT! COUPER LE COURANT AU NIVEAU DES FUSIBLES OU DU DISJONCTEUR.

HANGING THE FIXTURE (Fig. 1)

1. Carefully remove the fixture from the carton and check that all parts are included as shown in the illustration.
2. Shut off power at the circuit breaker and remove old fixture including the mounting hardware.
3. Determine the desired hanging height and thread rods (G1, G2) to all thread on the fixture body (H). Pass wires carefully through each rod as you assemble. Secure swivel (F) on canopy (D) onto rod (G1). Carefully feed the wire through swivel (F).
4. Thread screws (A) into the pre-drilled holes in the crossbar (B) spaced the same distance apart as the holes in the canopy (D). The length of screws (A) may be adjusted if necessary.
5. Attach crossbar (B) to the junction box (not included) using mounting screws (C) (Size: #8-32N*L25mm). The side of the crossbar (B) marked "GND" must face out.

CONNECTING THE WIRES (Fig. 2)

6. Connect the electrical wires as shown in fig 2, making sure that all wire connectors are secured. If your junction box has a ground wire (green or bare copper), connect the fixture's ground wire directly to the crossbar (B) using the green screw provided.
7. Tuck wire connectors neatly into the ceiling junction box.

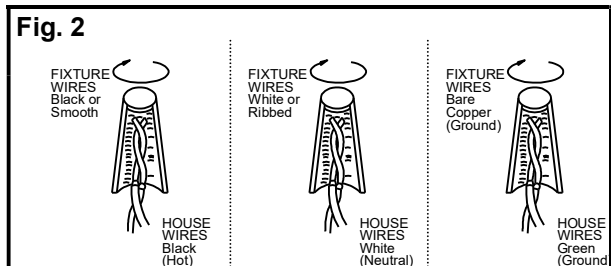
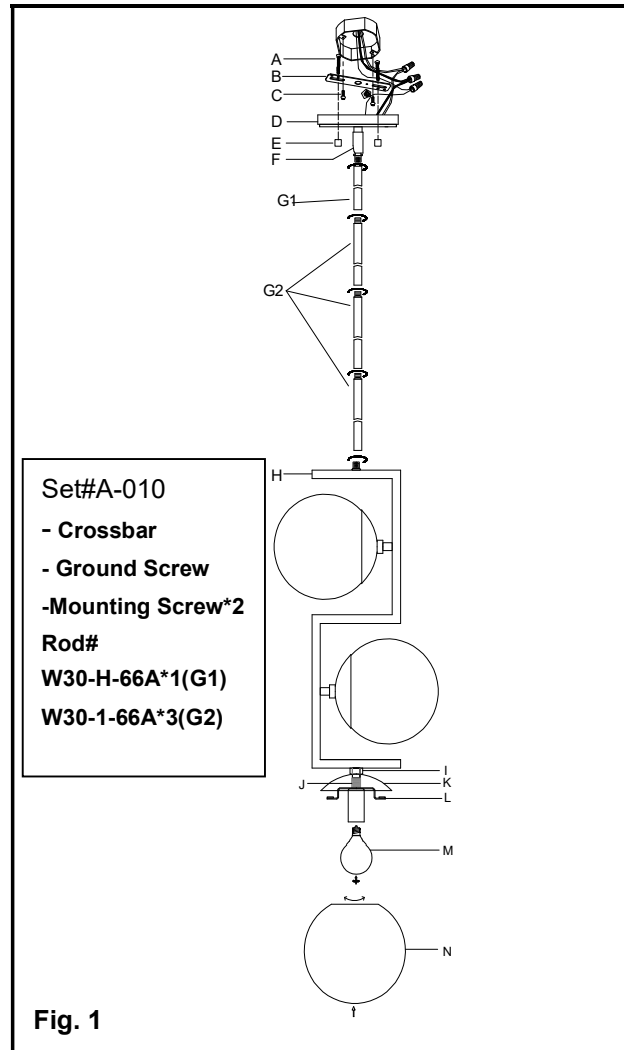
FINISH THE INSTALLATION (Fig. 1)

8. Slide canopy (D) over screws (A) and secure with finials (E).
9. Install (3) three candelabra base bulbs (M) up to 60 watts each or CFL or LED equivalent (not included) in accordance with the fixture specification—**DO NOT EXCEED THE MAXIMUM WATTAGE RATING! (NE PAS DEPASSER LA PUISSANCE NOMINALE MAXIMALE!)**.
10. Loosen finial (I) and socket cup (K), Slide glass shade (N) over bulb (M) and hang glass shade (N) on holder (L).
11. Slide socket cup (K) over all thread (J) and secure glass shade (N) with finial (I).

Note: Illustration (Fig.1) on this manual is for installation purposes only. It may or may not be identical to the fixture purchased.

IMPORTANT: FIXTURE SHOULD BE INSTALLED BY A QUALIFIED ELECTRICIAN TO ENSURE PROPER WIRING AND INSTALLATION.

Your installation is now complete. Return power to the junction box and test the fixture.



UL
LISTED

american
lighting
association