

# Zire Vanity

4190301, 4490302, 4490303, 4490304 | 1.0

GENERATION LIGHTING

WALL

**CAUTION - RISK OF FIRE**  
This product must be installed in accordance with the applicable installation code by a person familiar with the construction and operation of the product and the hazards involved.  
Use minimum 90°c supply conductors.

### GENERAL PRODUCT INFORMATION:

These fixtures are intended to be installed utilizing NEC compliant junction boxes.

This product is safety listed for damp locations.

Incandescent version may be dimmed with a standard incandescent dimmer. LED version may be dimmed with a LED dimmer. Consult lamp manufacturer for additional information.

This instruction shows a typical installation.

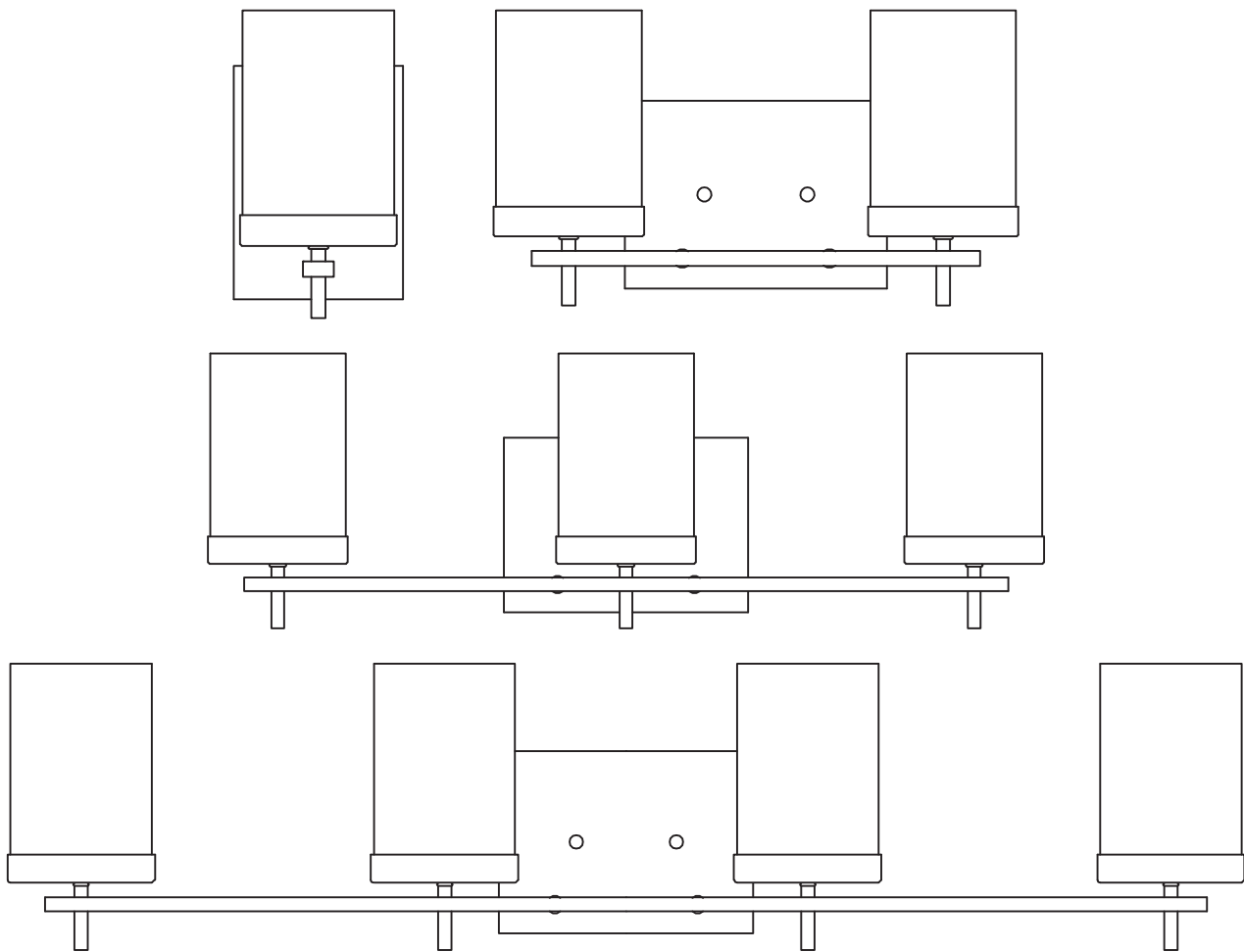
GENERATION LIGHTING

7400 Linder Ave, Skokie, IL 160077

800.969.3347

[www.generationlighting.com](http://www.generationlighting.com)

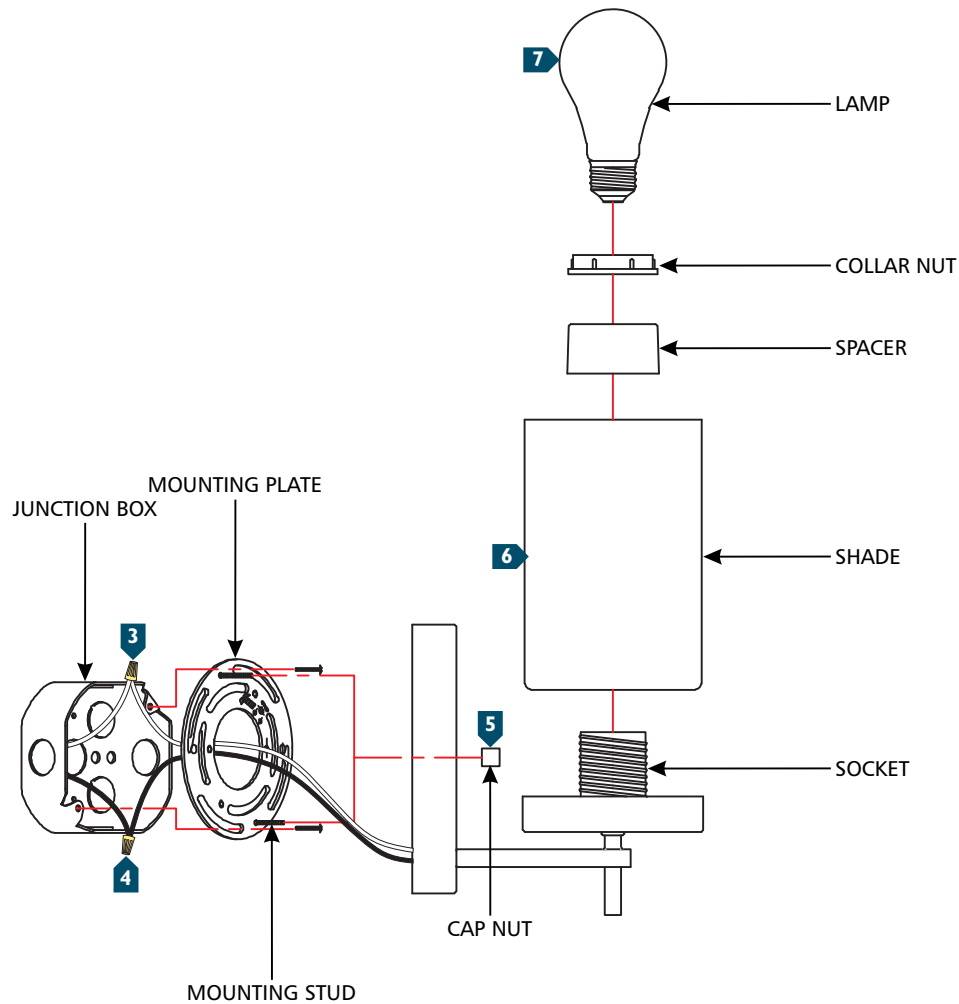
© 2019 Generation Lighting. All rights reserved.  
The "Generation Lighting" graphic is a registered trademark of Generation Lighting. Generation Lighting reserves the right to change specifications for product improvements without notification.



**SAVE THESE INSTRUCTIONS!**

## Install the Fixture

1A



- 1 Secure the mounting plate to the junction box.
- 2 Connect the fixture to a suitable ground in accordance to local electrical codes.
- 3 Connect the white fixture wire (square and/or rigid) to the neutral power line wire with a wire nut.
- 4 Connect the black fixture wire (round and/or smooth) to the hot power line wire with a wire nut.
- 5 Neatly place all the wires into the junction box, place the fixture base onto the mounting studs, and secure it in place by screwing the cap nuts onto the studs.
- 6 Place the shade and spacer over the socket and secure them in place by screwing the shade collar nut onto the socket. Repeat for remaining shades.
- 7 Screw the lamp(s) into the socket(s). Refer to the label on the socket for Max Wattage Information.