

Ultra Light Ceiling

CF1091 | 1.0

GENERATION LIGHTING CEILING

GENERAL PRODUCT INFORMATION:

These fixtures are intended to be installed utilizing NEC compliant junction boxes.

This product is safety listed for damp locations.

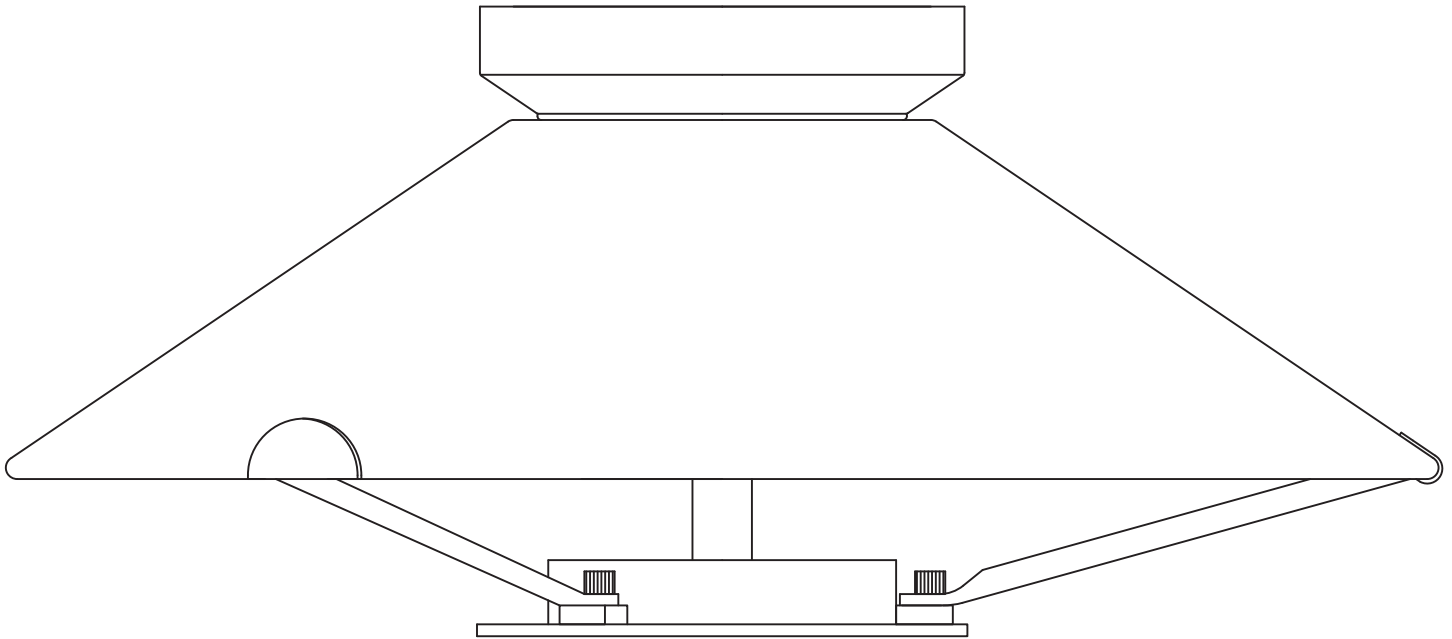
This instruction shows a typical installation.

CAUTION - RISK OF FIRE

This product must be installed in accordance with the applicable installation code by a person familiar with the construction and operation of the product and the hazards involved.

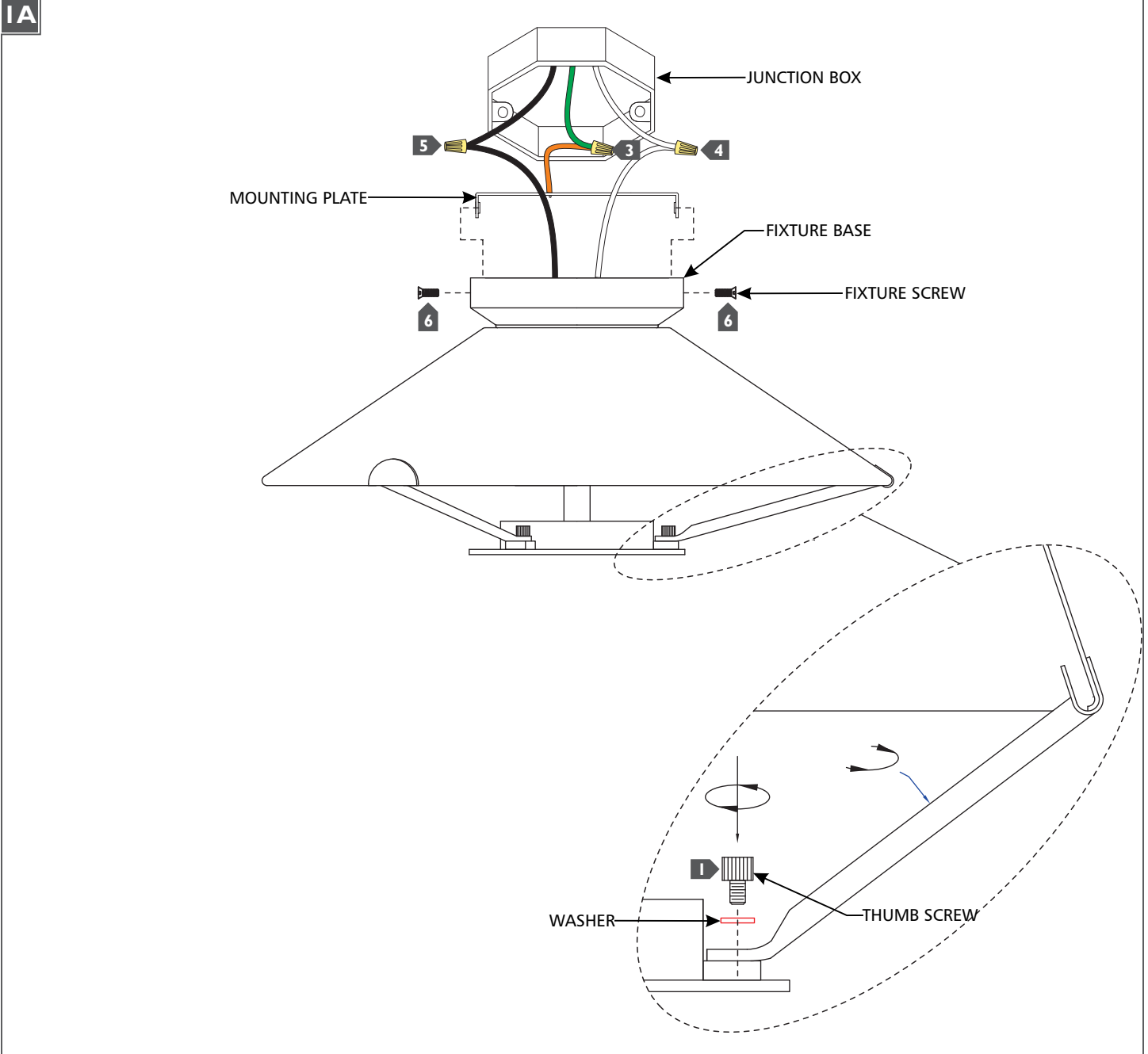
Use minimum 90°C supply conductors.

SAVE THESE INSTRUCTIONS!



GENERATION LIGHTING
7400 Linder Ave., Skokie, IL 60077
T 847.410.4400 | F 847.410.4500
www.generationlighting.com

Install the Fixture



- 1** Install the spider/backer by using the washers and thumb screws.
- 2** Secure the mounting plate to the junction box.
- 3** Connect the fixture to a suitable ground in accordance with local electrical codes.
- 4** Connect the white fixture wire (square and/or rigid) to the neutral power line wire with a wire nut.
- 5** Connect the black fixture wire (round and/or smooth) to the hot power line wire with a wire nut.
- 6** Neatly place all the wires into the junction box, place the fixture base onto the mounting plate, and secure it in place using the washers and fixture screws.