

Jenna Table Lamp

TT1231 | 1.0

GENERATION LIGHTING
PORTABLE

GENERAL PRODUCT INFORMATION:

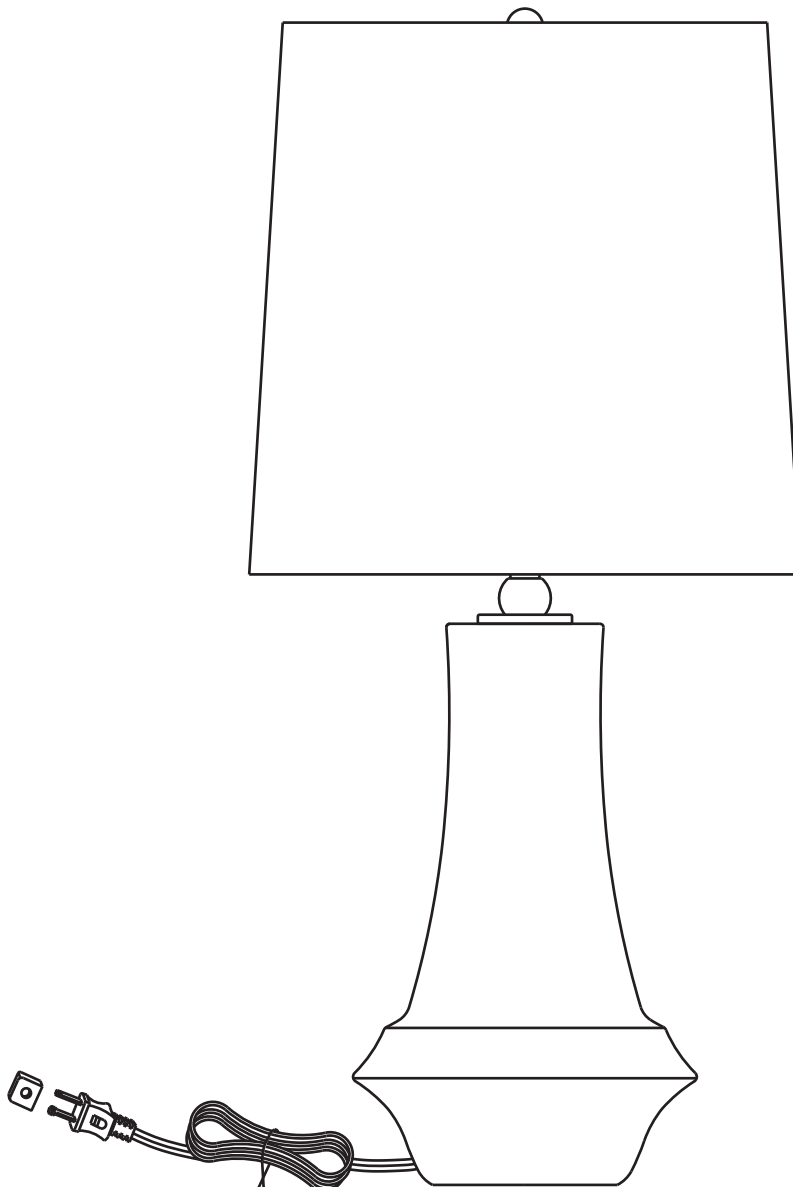
This product is safety listed for dry locations.

This instruction shows a typical installation.

IMPORTANT SAFETY INSTRUCTIONS

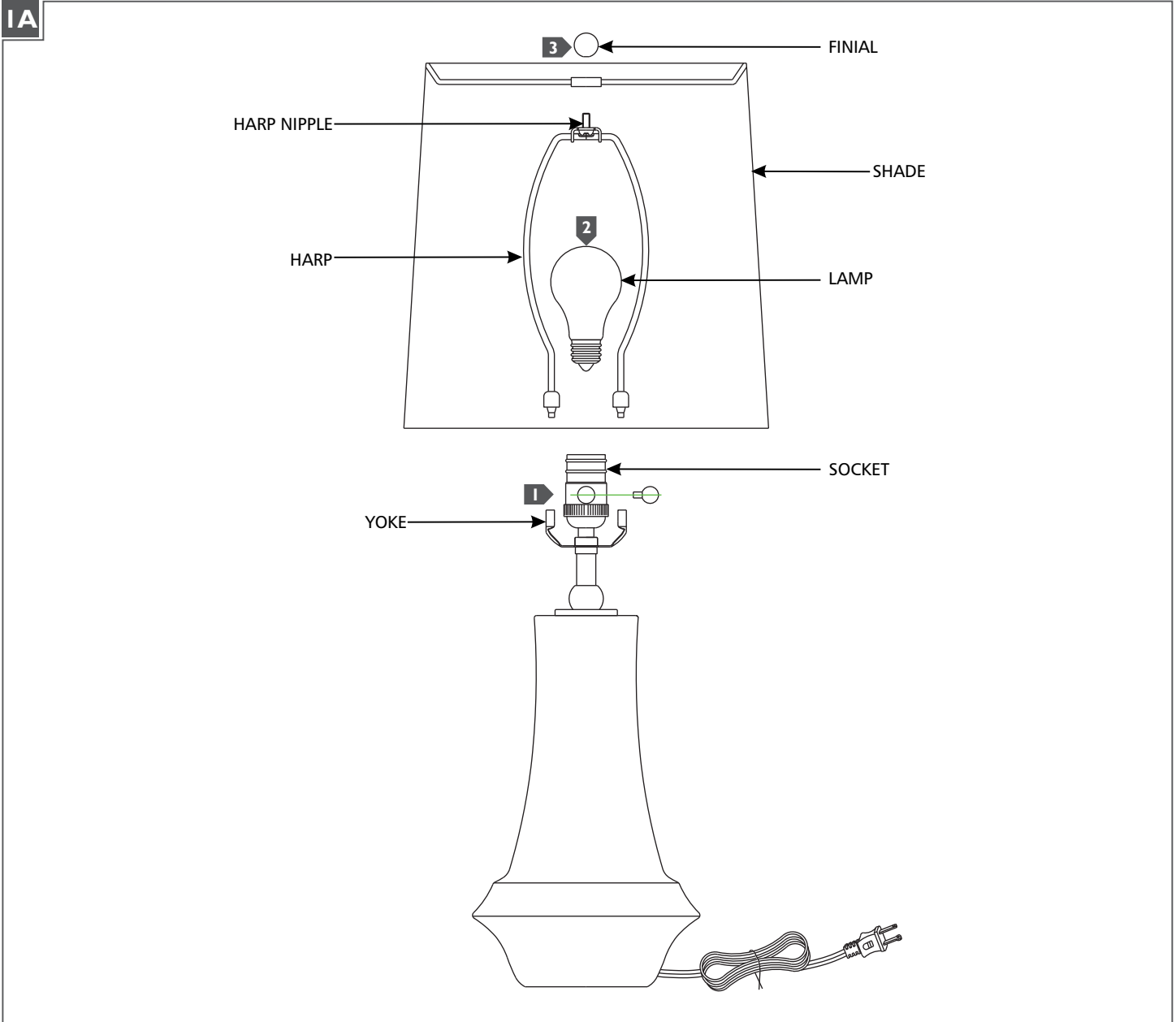
This portable lamp has a polarized plug (one blade is wider than the other) as a safety feature to reduce the risk of electric shock. This plug will fit in a polarized outlet only one way. If the plug does not fit fully in the outlet, reverse the plug. If it still does not fit contact a qualified electrician. Never use with an extension cord unless plug can be fully inserted. Do not attempt to defeat this safety feature.

SAVE THESE INSTRUCTIONS!



GENERATION LIGHTING
7400 Linder Ave., Skokie, IL 60077
T 847.410.4400 | F 847.410.4500
www.generationlighting.com

Install the Fixture



- 1** Insert the harp into the yoke.
- 2** Screw the lamp into the socket. Refer to the label on the lamp socket for Max Wattage information.
- 3** Place the shade onto the harp nipple and secure it in place by screwing the finial onto the nipple.