

INSTALLATION INSTRUCTION

Flexrail™ System - Line Voltage

HM1-T4, HM1-T8

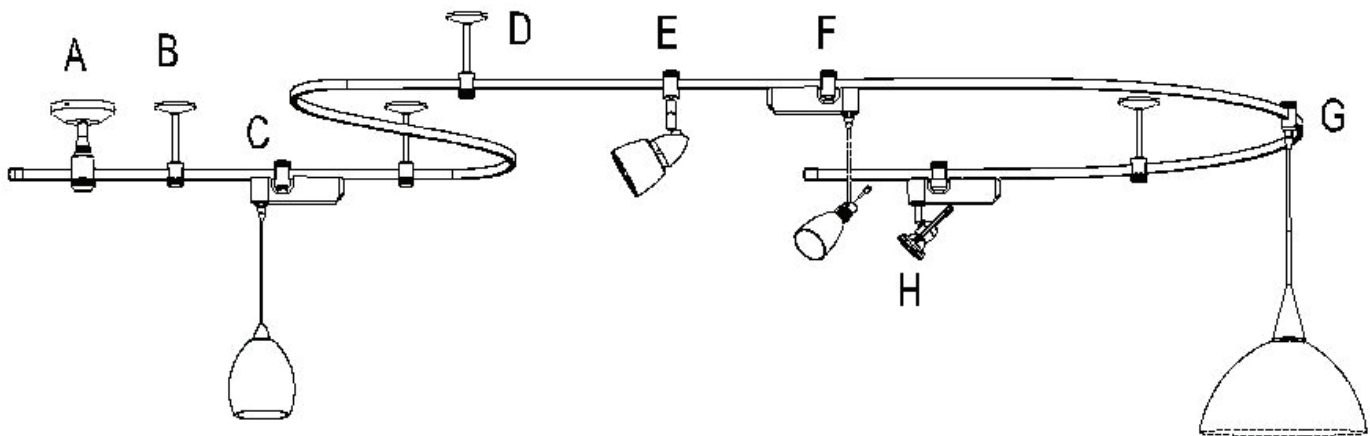
WAC LIGHTING
Responsible Lighting®

SAFETY INSTRUCTION

Only a qualified electrician must install system. System is intended for installation in accordance with National Electric Code, local and Federal code specifications.

To reduce the risk of fire, electrical shock and injuries to persons:

1. Read all instructions.
2. Turn off power at main switch before installing or modifying the system.
3. Do not install within six inches of any curtain or combustible materials.
4. Do not install less than 5 feet above a floor.
5. Do not install in damp or wet locations.
6. Do not install concealed, or extended through building walls.
7. Do not attempt to energize anything other than a track light fixture.
8. Do not load rail to more than 20 amps per circuit.



- A = Power feed
- B = Standoff
- C = Quick Connect transformer with low volt pendant
- D = "I" Connector (joins two rail sections & supports)
- E = Line volt fixture
- F = Quick Connect transformer with low volt fixture
- G = Line Volt pendant
- H = Low volt fixture

OVERVIEW:

- Line volt bendable rail (24" min radius). May be hand bent, optional bending tool for large jobs.
- Mounting options for flat, sloped or T-bar ceilings.
- Allows custom length ceiling suspension.
- Available in 4 & 8 ft lengths and may be joined to form longer runs.
- Use rope, chalk or string on floor level, or a scale drawing with string to estimate rail needs.
- Accepts Line volt and low volt fixtures, line volt pendants, and quick connect transformers used with QC series pendants or fixtures.
- Powers from a standard ceiling junction box.

WAC Lighting
www.waclighting.com
Phone (800) 526.2588 • Fax (800) 526.2585

Headquarters/Eastern Distribution Center
44 Harbor Park Drive • Port Washington, NY 11050
Phone (516) 515.5000 • Fax (516) 515.5050

Western Distribution Center
1750 Archibald Ave • Ontario, CA 91761
Phone (800) 526.2588 • Fax (800) 526.2585

INSTALLATION INSTRUCTION

Flexrail™ System - Line Voltage

HM1-T4, HM1-T8

WAC LIGHTING
Responsible Lighting®

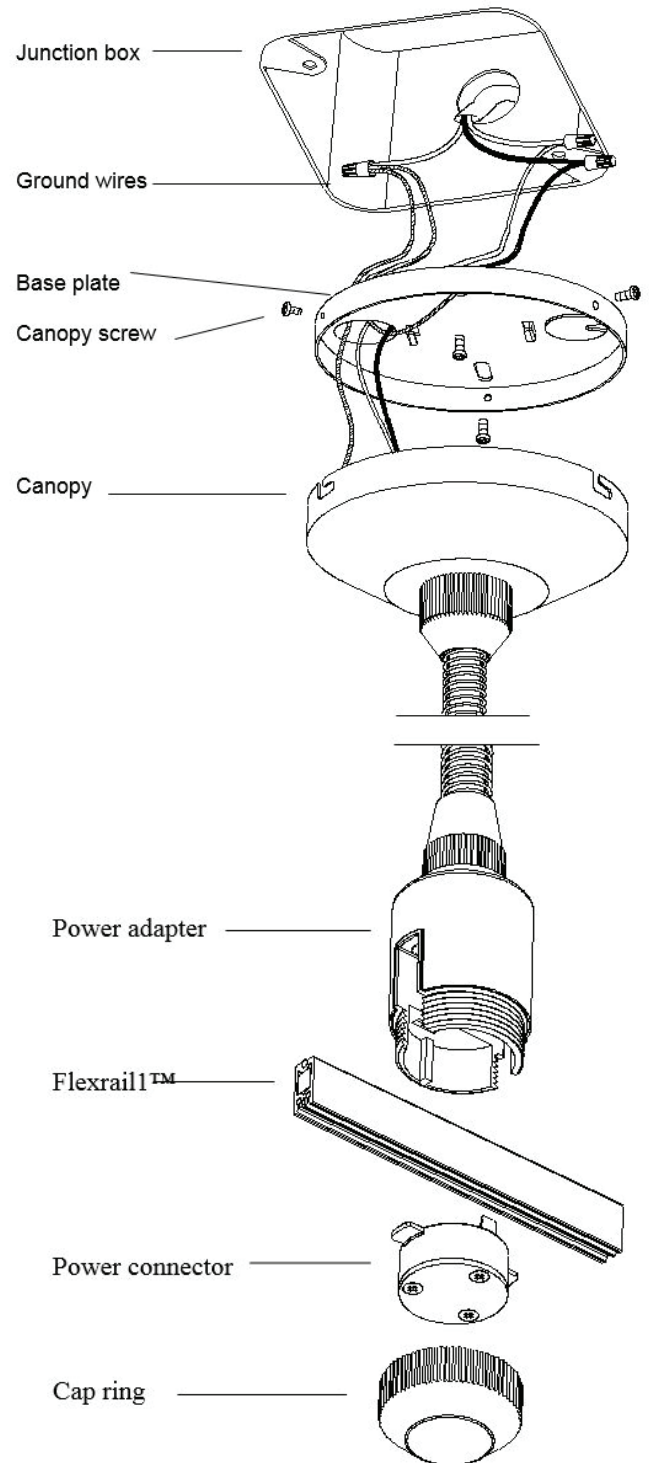
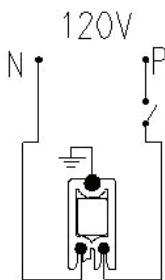
FEEDING POWER TO CANOPY:

1. Make sure the rail passes under, or close to a junction box. Power may be introduced at any point along the rail.
2. Loosen canopy screws and separate canopy plate and base plate.
3. Remove a knock out and route wires into the junction box.
4. Connect Black (hot) wire from building to black system wire. Connect white-to-white wires.
5. The green wire is the ground wire to be connected with the ceiling ground wire.
6. Secure all connections with wire nuts and tuck excess wire back into the junction box.
7. Secure the base plate to the junction box, with two screws through the slotted holes.
8. Install the canopy to the base plate.

POWER FEED TO RAIL:

1. Unscrew the cap ring (counterclockwise).
2. Remove the power connector by pulling straight down. (bottom screws are factory installed do not remove).
3. Place rail into the power adapter, then re- install the power connector.
4. Re-install the cap ring.

Wire diagram:



WAC Lighting
www.waclighting.com
Phone (800) 526.2588 • Fax (800) 526.2585

Headquarters/Eastern Distribution Center
44 Harbor Park Drive • Port Washington, NY 11050
Phone (516) 515.5000 • Fax (516) 515.5050

Western Distribution Center
1750 Archibald Ave • Ontario, CA 91761
Phone (800) 526.2588 • Fax (800) 526.2585

INSTALLATION INSTRUCTION

Flexrail1™ System - Line Voltage

HM1-T4, HM1-T8

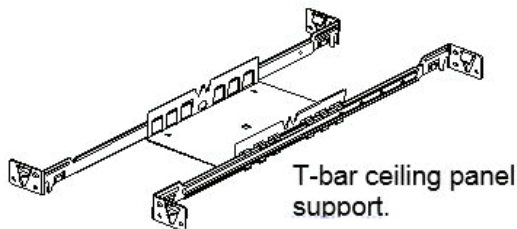
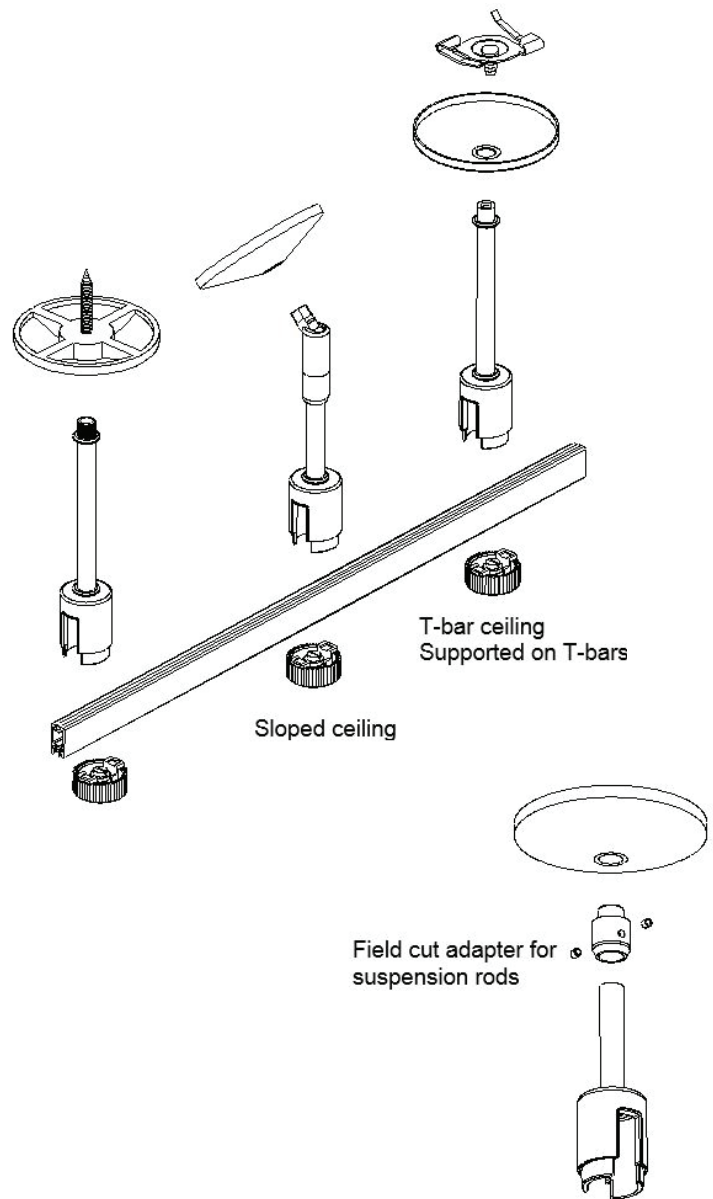
WAC LIGHTING
Responsible Lighting®

RAIL MOUNTING:

Rail can be mounted on a flat surface, a sloped ceiling, or a suspended ceiling.

1. Use three standoffs for every 8ft of straight rail. Curved rail requires more supports.
2. Make a floor lay out with rail or string etc, then use a plumb line to mark standoff locations.
3. For drywall, drill 5/8" holes and insert ceiling anchors (supplied) through the bases of the standoffs.
4. For wood surfaces use wood screws through the standoff bases.
5. For "T" bars (It is recommended that "T" bars be reinforced with Caddy (clips to the ceiling structure) Twist "T" bar clip onto the "T" bar.
6. For support at a ceiling panel install a support frame between two T-bars

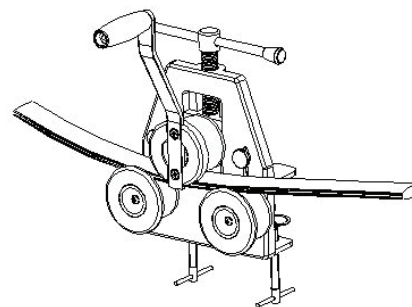
Unscrew the cap from the bottom of the rail adapter. Raise the rail into position and re-install the cap.



T-bar ceiling panel support.

Bending Flexrail1™:

1. Hand or machine bendable, minimum radius 23".
2. Before bending: If rail is to be cut and connected to another rail, a 7/8" end space from the aluminum core must be maintained to accept an "I" connector.
3. Bend the rail a little at a time starting from the mid point. Work the rail in stages until you reach the desired radius.
4. Once rail is bent the wires may become regressed from the ends. If no other rails are to be connected, install end caps.
5. If rail is to be connected to another rail, it is necessary to cut each end flush. This ensures bus wires will make contact with the connector.



Bending tool

WAC Lighting
www.waclighting.com
Phone (800) 526.2588 • Fax (800) 526.2585

Headquarters/Eastern Distribution Center
44 Harbor Park Drive • Port Washington, NY 11050
Phone (516) 515.5000 • Fax (516) 515.5050

Western Distribution Center
1750 Archibald Ave • Ontario, CA 91761
Phone (800) 526.2588 • Fax (800) 526.2585

INSTALLATION INSTRUCTION

Flexrail1™ System - Line Voltage

HM1-T4, HM1-T8

WAC LIGHTING
Responsible Lighting®

JOINING RAILS:

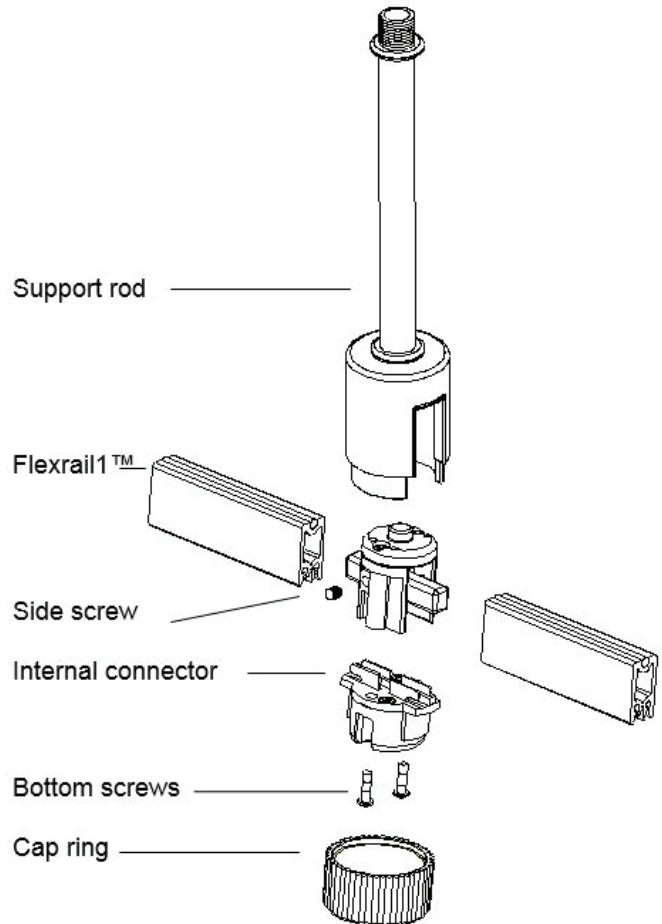
1. Mount the rod to the ceiling.
2. Unscrew the cap ring, and withdraw the internal connector by pulling straight down.
3. Loosen the bottom & side screws on the connector.
4. Insert the rail ends into the connector.
5. Tighten the setscrews on both sides, and the bottom screws.
6. Raise the connector into the upper cover, and secure with the cap ring.

Note: To ensure good electrical connection, make sure the bus-wires are always flush with the rail end.

Field Cutting:

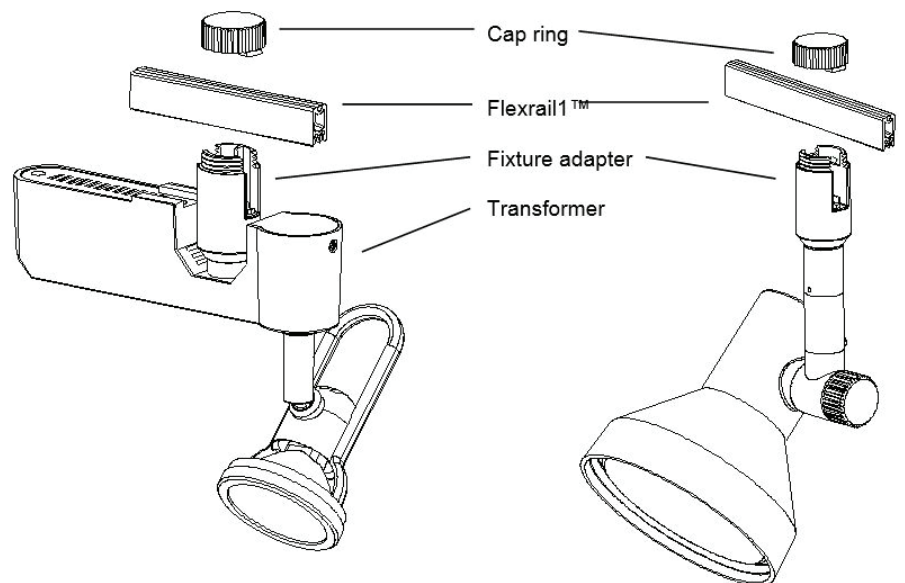
1. Rail may be cut with a power or hack saw.
2. File rough edges and brush out and debris.
3. Install end cap over cut end.

Note: A field cut rail will not be able to join another rail section unless provisions are made to recess the aluminum core. It is easier to make a field cut on the end of the last piece.



INSTALLING FIXTURES:

1. Remove the cap ring on the fixture adapter.
2. Raise the open end of the adapter to the rail.
3. Re-install the cap ring.



WAC Lighting
www.waclighting.com
Phone (800) 526.2588 • Fax (800) 526.2585

Headquarters/Eastern Distribution Center
44 Harbor Park Drive • Port Washington, NY 11050
Phone (516) 515.5000 • Fax (516) 515.5050

Western Distribution Center
1750 Archibald Ave • Ontario, CA 91761
Phone (800) 526.2588 • Fax (800) 526.2585