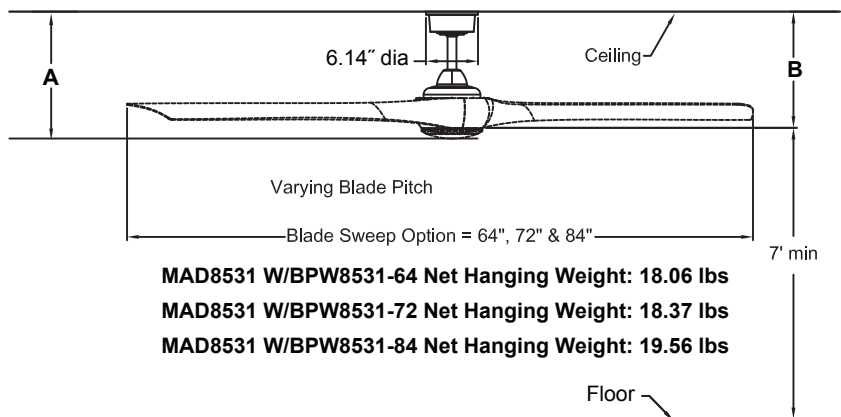


WRAP™ CUSTOM

MAD8531 ** Ceiling Fan



INSTALLATION REQUIREMENTS:

Fan must be attached to a securely anchored electrical junction box capable of withstanding a load of at least 35 lbs.

ELECTRICAL REQUIREMENTS:

Requires a grounded electrical supply line of 120 volts AC, 60 Hz, 15 amp circuit.

MOTOR SPECS:

153 x 25 FS sensorless DC motor is designed for optimal performance with this fan.

BLADES:

3 bladed blade sets are available in plastic materials— all sold separately.
See our catalog or visit www.fanimation.com for blade options.

CONTROL OPTIONS:

A WiFi receiver and TR205D hand-held remote control are included. Push button remote control with 16 fan speeds, fresh air, reverse, infinite light levels, fan/light timer, home away, safe exit and off button. Visit the Apple APP Store or Google Play Store to download the free fanSync WiFi APP and create your Fanimation fanSync account. Optional TW206D wall control is available — sold separately. Instructions are provide with each control.

LIGHTING OPTIONS:

LK8530- One 18-watt dimmable LED.

DOWNROD OPTIONS:

Fan comes with 1" dia. x 8" long downrod (DR1-8). Optional downrods are available in 12", 18", 24", 36", 48", 60", and 72" lengths. A downrod coupler is available for installations requiring a downrod longer than 72". Fan can be mounted on a sloped ceiling up to 27°. Most sloped ceiling installations require a standard 36" downrod or longer downrod (Measured with BPW8531-84 Blade). Optional sloped ceiling ball kits (SCB1-52) are available for slope angles greater than 27° and up to 42°. Optional close-to-ceiling kit is available as well-sold separately. Call technical support for more information.

LOCATION USE:

Fan is rated for dry and damp locations. This fan is for room over 400 sq ft.

	A	B
Fan w/8" downrod	15.96"	15.33"
Fan w/12" downrod	19.96"	19.33"
Fan w/18" downrod	25.96"	25.33"
Fan w/24" downrod	31.96"	31.33"
Fan w/36" downrod	43.96"	43.33"
Fan w/48" downrod	55.96"	55.33"
Fan w/60" downrod	67.96"	67.33"
Fan w/72" downrod	79.96"	79.33"

Available Finishes	
BN	Brushed Nickel
BL	Black
DZ	Dark Bronze
GR	Matte Greige
MW	Matte White

Airflow / Energy Efficiency Info test with BPW8531-84 Blade in 84" sweep					
Fan Speed	Max RPM	CFM	CFM / Watts	Amps	Watts
High (16 th)	81	11206	366	0.43	31
Med (9 th)	56	7859	827	0.15	10
Low (1 th)	29	3516	1172	0.05	3

Energy Guide FTC Measured with BPW8531-84 Blades in 84" sweep			
Power (W _{ave})	Total Air Delivery (CFM _{ave})	Estimated Yearly Energy Cost (\$)	Ceiling Fan Efficiency (CFM/W)
21	8762	6	420