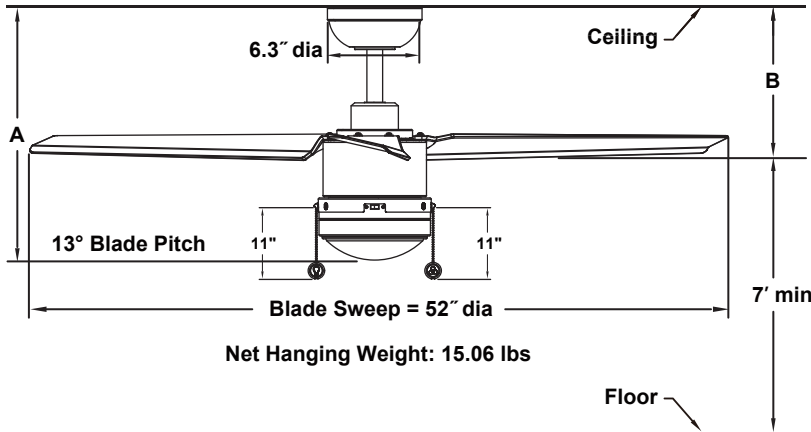


**PC/DC™ L**

# FPD7619\*\* 52" Ceiling Fan



	A	B
Fan w/6" downrod	16.91"	10.24"
Fan w/12" downrod	22.91"	16.24"
Fan w/18" downrod	28.91"	22.24"
Fan w/24" downrod	34.91"	28.24"
Fan w/36" downrod	46.91"	40.24"
Fan w/48" downrod	58.91"	52.24"
Fan w/60" downrod	70.91"	64.24"
Fan w/72" downrod	82.91"	76.24"

### INSTALLATION REQUIREMENTS:

Fan must be attached to a securely anchored electrical junction box capable of withstanding a load of at least 35 lbs.

### ELECTRICAL REQUIREMENTS:

Requires a grounded electrical supply line of 120 volts AC, 60 Hz, 15 amp circuit.

### MOTOR SPECS:

100 x 30 DC motor is designed for optimal performance with this fan.

### BLADES:

A set of three 24" composite blades is included.

### CONTROL OPTIONS:

Three fan speeds pull chain control included. The reverse switch is located on the switch housing.

### LIGHTING OPTIONS:

One 18-watt LED included.  
ON/OFF and dimmable pull chain control.

### DOWNROD OPTIONS:

Fan comes with 1" dia. x 6" long wet-location downrod (DR1SS-6). Optional wet-location downrods are available in 12", 18", 24", 36", 48", 60", and 72" lengths. A downrod coupler is available for installations requiring a downrod longer than 72". Fan can be mounted on a sloped ceiling up to 27°. Most sloped ceiling installations require a standard 18" downrod or longer downrod. Optional sloped ceiling ball kits (SCB1-52) are available for slope angles greater than 27° and up to 42°. Optional close-to-ceiling kit is available as well — sold separately. Call technical support for more information.

### LOCATION USE:

Fan is rated for dry, damp and wet locations. This fan is for room up to 400 sq ft.

### Available Finishes

BLW	Black with Black Blade
MWW	Matte White with Matte White Blade
SLW	Silver with Silver Blade

### Airflow / Energy Efficiency Info (120V)

Fan Speed	Max RPM	CFM	CFM / Watts	Amps	Watts
High	168	5874	190	0.47	31
Med	111	3723	419	0.17	9
Low	53	1764	832	0.07	2

### Energy Guide FTC

Power (W <sub>ave</sub> )	Total Air Delivery (CFM <sub>ave</sub> )	Estimated Yearly Energy Cost (\$)	Ceiling Fan Efficiency (CFM/W)
19	3649	5	188