

INSTALLATION INSTRUCTION
Exterminator II LED Track Luminaires
H/L/J - 1014/1023/1035/1052

WAC LIGHTING
Responsible Lighting®

WARNING

IMPORTANT: NEVER attempt any work without shutting off the electricity.

- Read all instructions before installing.
- System is intended for installation by a qualified electrician in accordance with the National Electrical Code and local regulations.
- Go to the main fuse box, or circuit breaker. Place the main power switch in the "OFF" position and unscrew the fuse(s) or switch "OFF" the circuit breaker switch(es) that control the power to the fixture or room that you are working on.
- Place the wall switch in the "OFF" position.

AVERTISSEMENT

IMPORTANT : Coupez l'électricité avant TOUTE manipulation.

- Lisez toutes les instructions avant d'installer.
- Système est destiné à être installé par un électricien qualifié en conformité avec le code national de l'électricité et les règlements locaux.
- Accédez au panneau central de disjoncteurs ou de fusibles de votre demeure et placez l'interrupteur principal en position d'arrêt (« OFF »).
- Placez l'interrupteur mural en position d'arrêt (« OFF »).

Overview:

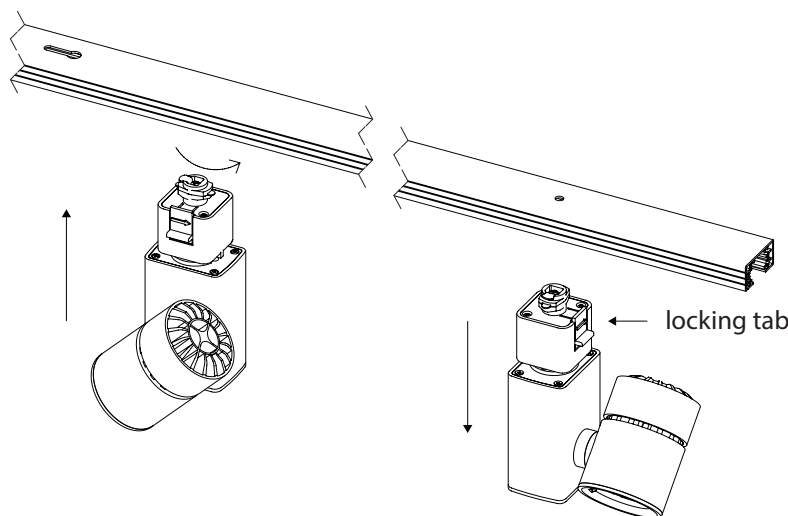
Fixtures are designed for use on WAC Lighting's track systems. They may also be used on other manufacturer's brand of track (consult factory for compatibility).

LED TRACK LUMINAIRE	TRACK SYSTEM
H-1014/H-1023/H-1035/H-1052 Series	120V H Track
L-1014/L-1023/L-1035/L-1052 Series	120V L Track
J-1014/J-1023/J-1035/J-1052 Series	120V J or J2 Track

Fixture installation for H/ L/ J Track: (1014/1023) (Fig.1)

1. The track has a groove running its length to indicate polarity and the locking tab has an arrow indicating locking direction.
2. Insert adapter into track slot and rotate it 90°. The arrow should point to the grooved side of the track.
3. Press the locking tab on the adaptor and reverse the procedure to remove track fixture may be positioned anywhere along the track.

Fig.1



wacighting.com
Phone (800) 526.2588
Fax (800) 526.2585

Headquarters/Eastern Distribution Center
44 Harbor Park Drive
Port Washington, NY 11050

Central Distribution Center
1600 Distribution Ct
Lithia Springs, GA 30122

Western Distribution Center
1750 Archibald Avenue
Ontario, CA 91760

INSTALLATION INSTRUCTION

Exterminator II LED Track Luminaires

H/L/J - 1014/1023/1035/1052

WAC LIGHTING

Responsible Lighting®

Fixture installation for H/ L/ J Track: (1035/1052) (Fig.2)

1. The track has a groove running its length to indicate polarity and the locking tab has an arrow indicating locking direction.
2. Insert adapter into track slot and rotate it 90°. The arrow should point to the grooved side of the track.
3. Push up and turn the locking tab into the lock position.
4. Reverse procedure to remove. Track heads may be positioned anywhere along the track.

FIXTURE POSITIONING: (Fig.3)

5. Power on fixture, rotate the luminaire's body horizontally or vertically to aim it properly. The fixture can rotate $\pm 90^\circ$ vertically and 360° horizontally.

Fig.2

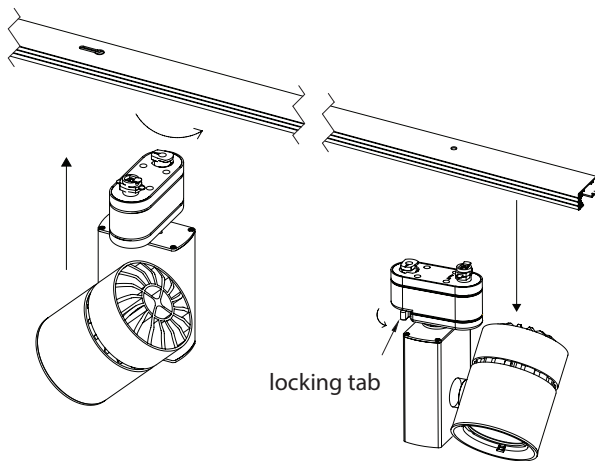
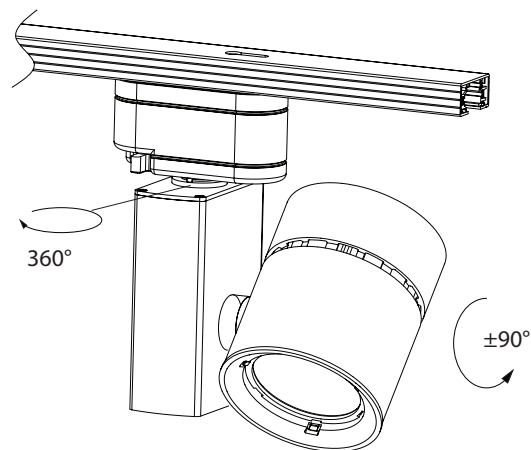


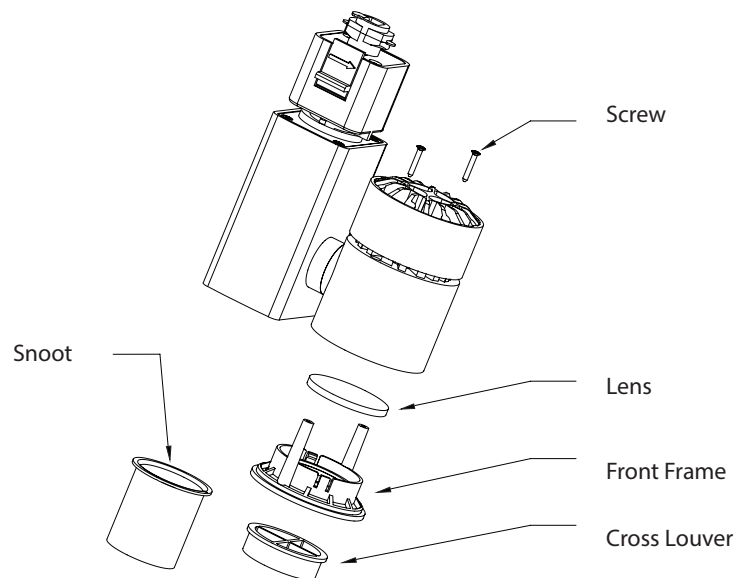
Fig.3



ACCESSORIES (Fig.4)

1. Use a screw-driver to loosen the two screws at the back of the fixture body.
2. Take out the front frame, then change the lens.
3. To install cross louver or snoot, use the clips around the front frame to fasten them directly.

Fig.4



waclighting.com
Phone (800) 526.2588
Fax (800) 526.2585

Headquarters/Eastern Distribution Center
44 Harbor Park Drive
Port Washington, NY 11050

Central Distribution Center
1600 Distribution Ct
Lithia Springs, GA 30122

Western Distribution Center
1750 Archibald Avenue
Ontario, CA 91760

Aligning the Reflector (Fig. 5)

Before putting the accessory assembly back to the fixture, make sure to align the reflector properly as shown in **Fig. 5**.

Fig. 5

