



TEL 905.695.2055 toll free 1.800.660.5391
FAX 905.695.2056 toll free 1.800.660.5390

33 West Beaver Creek Road Richmond Hill, Ontario Canada L4B 1L8

LIVRA, 1-LIGHT WALL SCONCE



PRODUCT DETAILS

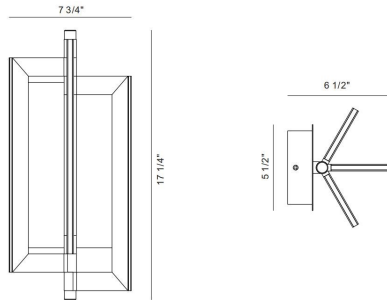
No. : 44075-019
Product Color : MATTE BLACK
Width : 7.75"
Height : 17.25"
Ext : 6.5"

LIGHT SOURCE DETAILS

Light Source Type : INTEGRATED LED
Input Voltage : 120V
Bulb Voltage : 24V
Socket Type : LED
Total Wattage : 40W
Delivered Lumens : 260lm
Kelvin : 3000K
CRI : 90+
Dimmable : Yes

OPTIONS AVAILABLE

ITEM NO.	FINISH	SHADE
44075-019	MATTE BLACK	
44075-026	GOLD	



TECHNICAL DETAILS

Canopy / Backplate Length : 10.5"
Canopy / Backplate Height : 5.5"
Canopy / Backplate Width : 1.5"
Location : DRY
Title 24 : Yes

PROJECT INFORMATION

Job Name: Date: Type:

Comments: