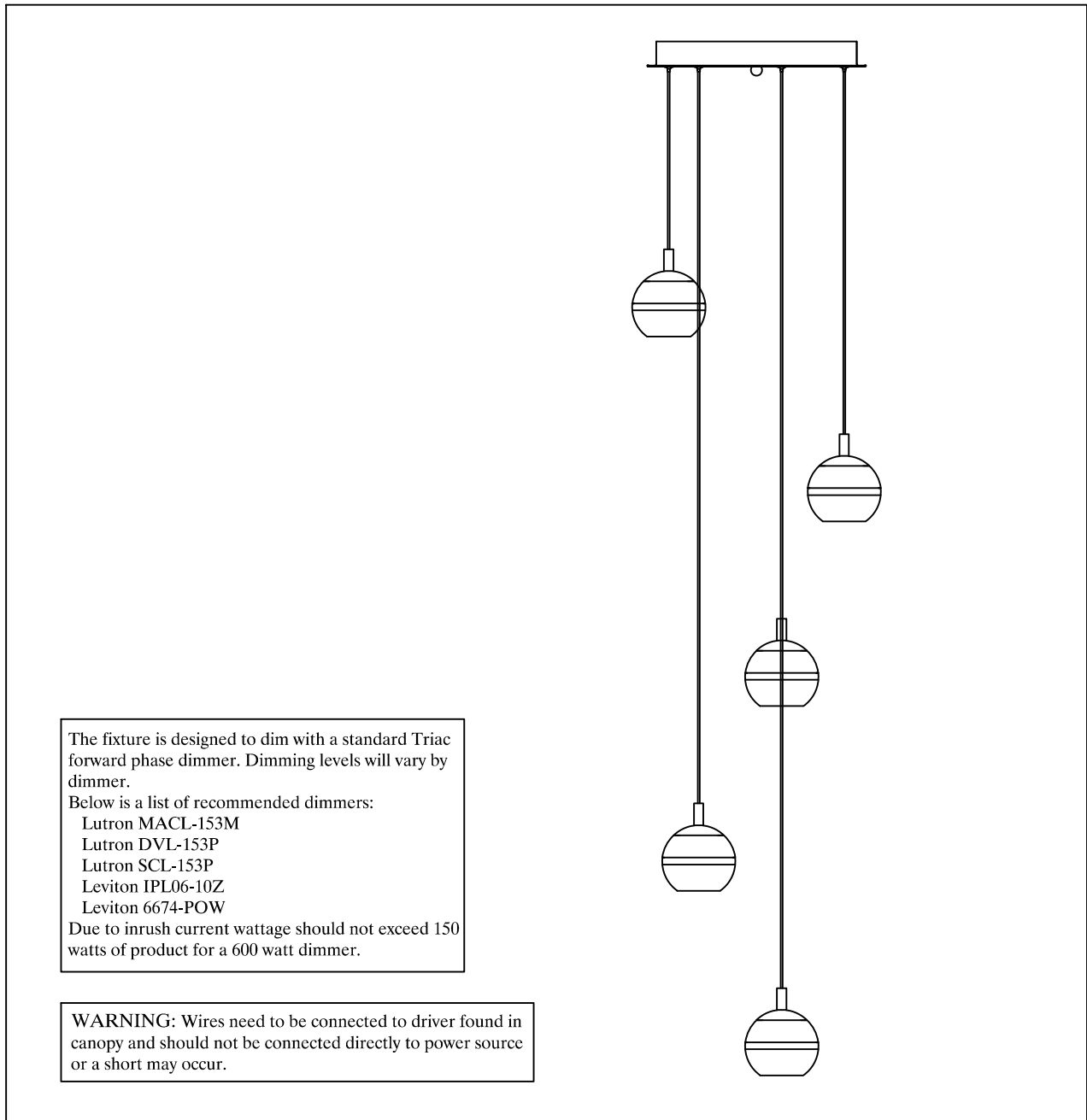


Contemporary Lighting™

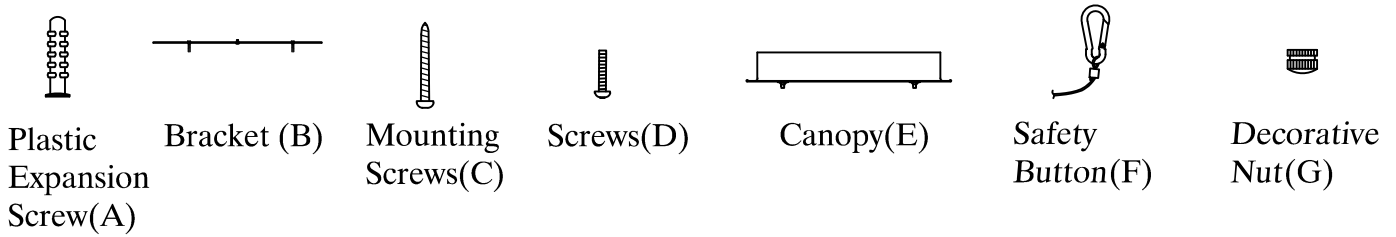
PRODUCT NAME: Swank 5LT Pendant
ITEM NUMBER: E24595

Please consult your electrician for hanging fixture and wiring.

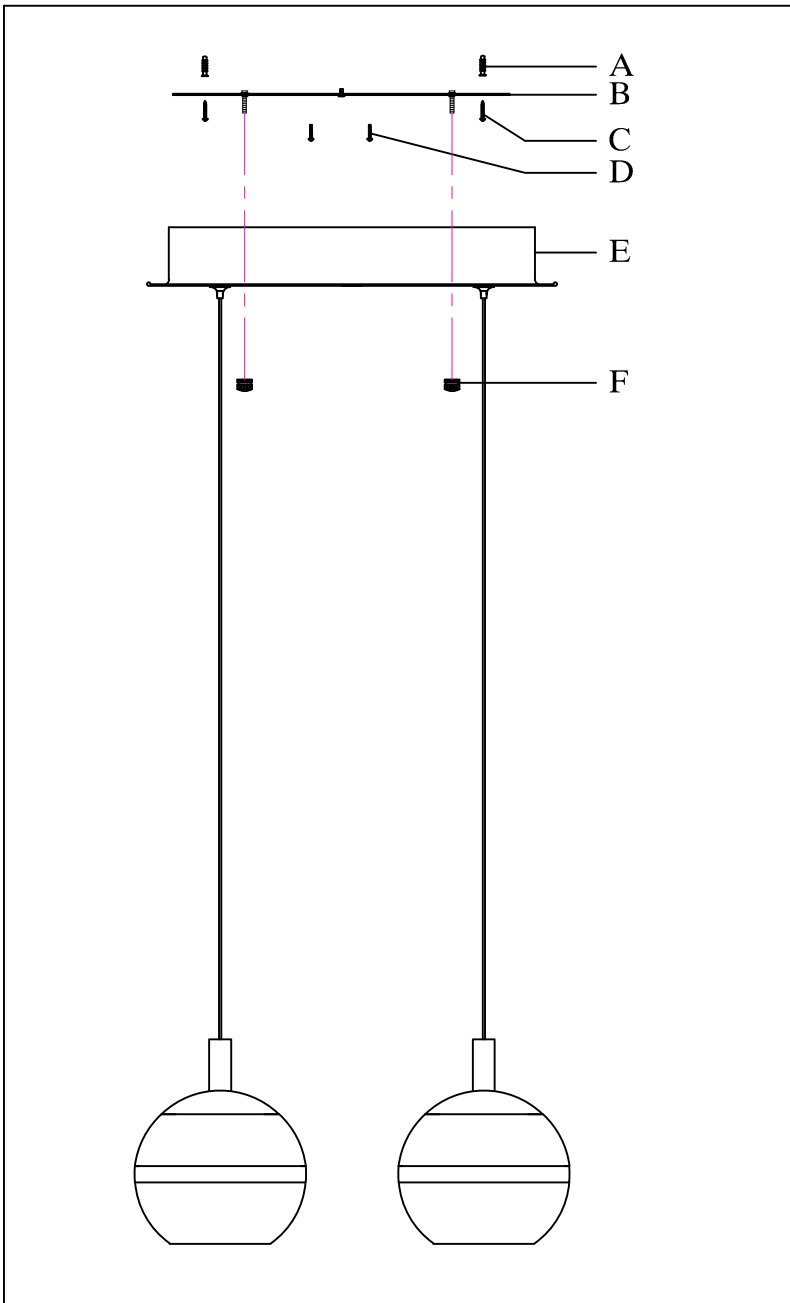


Bulbs (Included):5*LED*6W

IMPORTANT: Turn off the power at the main fuse or circuit breaker box before starting installation

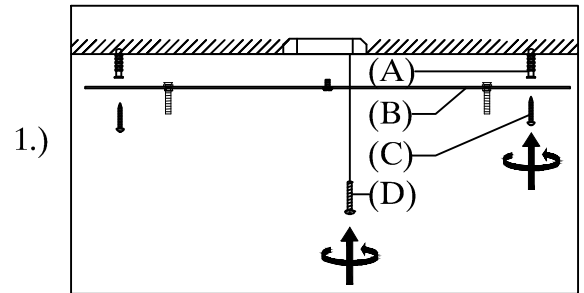


Locate all hardware & components before discarding packaging



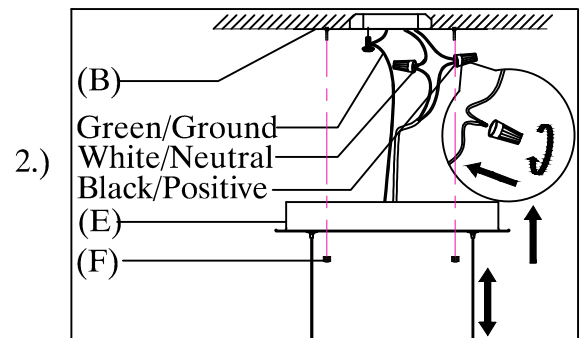
Cleaning & Care:

Clean with soft cloth and a mild detergent.
Do not use abrasive cleaner.



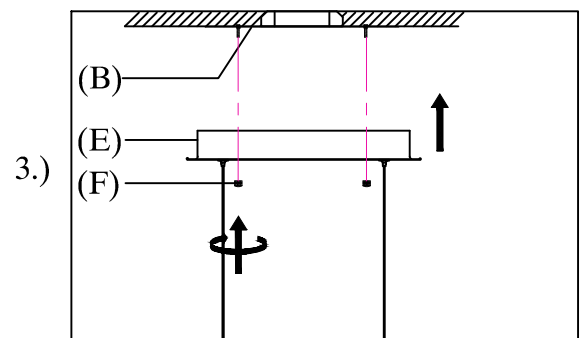
1.)

Step1 :Remove mounting bracket from fixture and install to electrical box. The safety button mounted to the bracket.



2.)

Step2 :Adjust wire length to desired mounting height, and tighten strain relief screws to secure. Wire fixture to wires in outlet box. Green wire is for Ground.

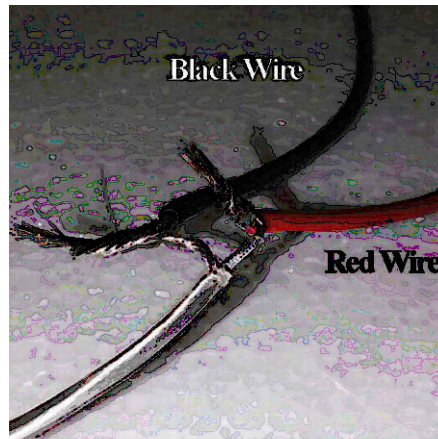


3.)

Step3 : Install fixture to bracket and Decorative Nuts at the ends of the canopy to secure.

Pendant Wires

Driver Wires



Pendant	Driver
InnerWire (+)	Driver Red (+)
Outer Mesh (-)	Driver Black(-)

Step 5. If wires are cut in the process of adjusting the height, please note the pendants consist of an outer mesh wire (Negative) and inner (Positive) wire that must be separated before re-joining with the driver output wires. Pendants are wired in series to the driver, as shown below.

