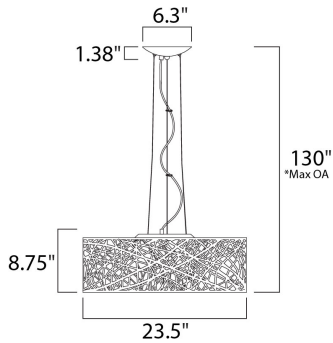




**PRODUCT DESCRIPTION**

Legendary meets contemporary with the Inca Collection. Reminiscent of the mythical tales of Incan treasures, the fixtures offer brilliantly shining crystal enclosed within a precision laser-cut sheath that cannot be duplicated. The glow of the light from within casts a beautifully radiant shine that adorns the outer permeable layer.



\*max overall height

**MEASUREMENTS**

- DIMENSION : 23.5" L x 23.5" W x 10" H
- MAX OAH : 125" OAH
- CANOPY : 6.3" W x 1.25" H x 6.3" L
- HANGING WEIGHT : 13.64 lb

**LAMPING**

- INPUT VOLTAGE : 120V
- LUMENS : 4,500 Rated (4,000 Del.)
- BULB : 9 x 40W Xenon G9 , 360W Total
- BULB INCLUDED : (Included)
- DIMMABLE : Yes
- COLOR\_TEMP : 2900K

**FINISHES OPTION**

- Bronze
- Polished Chrome

**GLASS**

Cognac 94

**MATERIAL**

Stainless Steel, Steel

**RATINGS**

cETLus  
Dry Location



**ADDITIONAL**

RATED LIFE 2000 Hours  
OPERATING TEMPERATURE:  
-20°C (-4°F), 40°C (104°F)

Always consult a qualified electrician before installing any lighting product.



**WESTERN DISTRIBUTION CENTER (HEADQUARTER)**  
253 NORTH VINELAND AVE | CITY OF INDUSTRY, CA 91746  
**EASTERN DISTRIBUTION CENTER**  
4200 SHIRLEY DR. | ATLANTA, GA 30336  
P. 626.956.4200 | F. 626.956.4225 | et2online.com