

INSTALLATION INSTRUCTION

Photosensor

PC-120

WAC LIGHTING

Responsible Lighting®

WARNING

IMPORTANT: NEVER attempt any work without shutting off the electricity.

- Read all instructions before installing.
- System is intended for installation by a qualified electrician in accordance with the National Electrical Code and local regulations.

AVERTISSEMENT

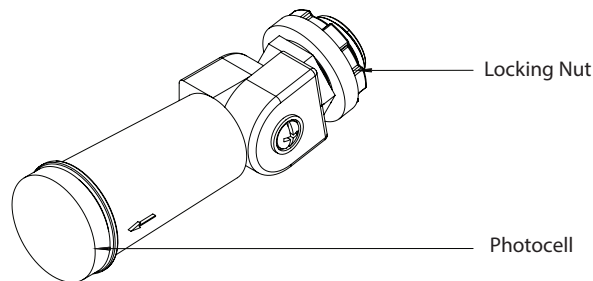
IMPORTANT: Coupez l'électricité avant TOUTE manipulation.

- Lisez toutes les instructions avant d'installer.
- Système est destiné à être installé par un électricien qualifié en conformité avec le code national de l'électricité et les règlements locaux.

INTRODUCTION

Photosensor is a lighting control device that detects the light levels of the environment and provides automatic shutdown by day and automatic operation by dark. It is used in places where manual operation to turn on the lights is not necessary.

Input	: 120VAC
Max. Load	: 600W LED Lamp
Sensitivity	: 0.5-1fc On; 8-15fc Off
Application Location	: Dry or Wet locations
Anti-interference Delay	: 30 seconds



FEATURES

1. Intelligent light control of lighting fixtures based on ambient light.
2. The mechanical structure allows the users to lock the sensor in any positions they want.
3. Can be mounted on a canopy or on a lighting fixture.
4. Designed for outdoor (wet location) or indoor application with luminaires. Recommended ambient temperature is -40°C (-40°F) to 70°C (158°F).

WAC Lighting
www.waclighting.com
Phone (800) 526.2588 • Fax (800) 526.2585

Headquarters/Eastern Distribution Center
44 Harbor Park Drive • Port Washington, NY 11050
Phone (516) 515.5000 • Fax (516) 515.5050

Western Distribution Center
1750 Archibald Ave • Ontario, CA 91761
Phone (800) 526.2588 • Fax (800) 526.2585



INSTALLATION INSTRUCTION

Photosensor

PC-120

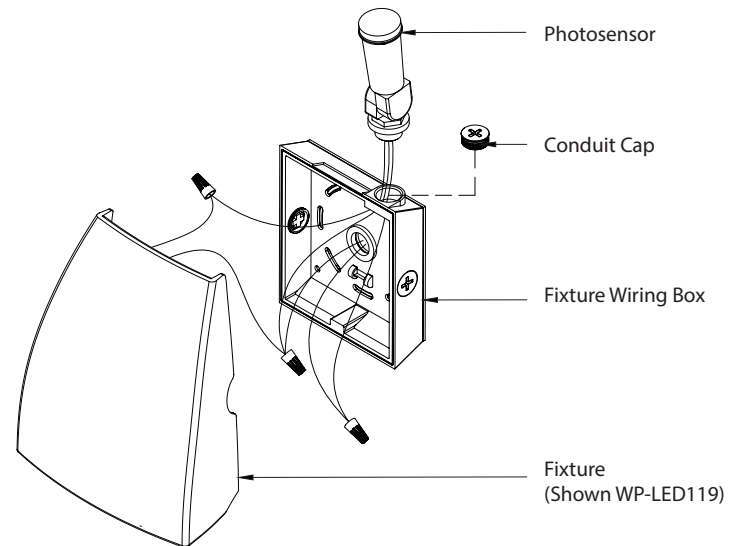
WAC LIGHTING

Responsible Lighting®

INSTALLATION AND WIRING

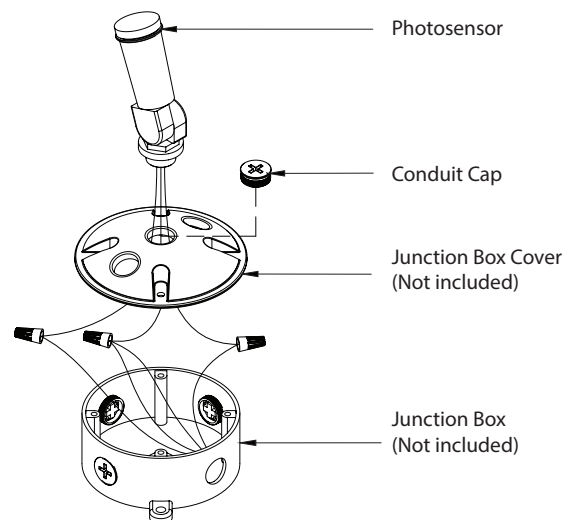
INSTALLATION ON A FIXTURE

1. Remove the conduit cap of the fixture.
2. Connect the cables to the terminal block or wire connector inside the wiring box of the fixture. Refer to the wiring diagram below.
3. Ensure that all the wiring connections are secure.
4. Screw in and lock the photosensor in position. Use thread seal tape to ensure proper sealing of the unit.
5. Tighten and seal all the other conduit caps of the fixture with thread seal tape.



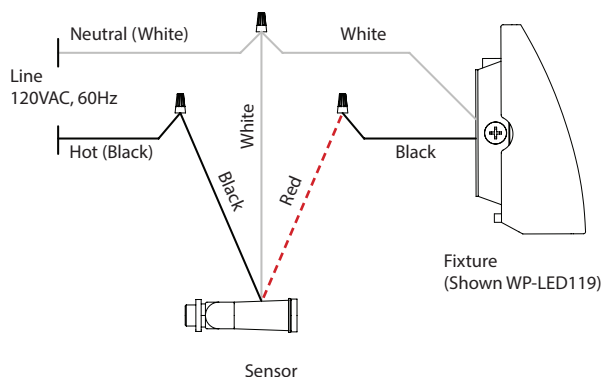
INSTALLATION ON A CANOPY

1. Remove the conduit cap of the junction box or mounting canopy.
2. Connect the cables to the terminal block or wire connector inside the junction box. Refer to the wiring diagram below.
3. Ensure that all the wiring connections are secure.
4. Screw in and lock the photosensor in position. Use thread seal tape to ensure proper sealing of the unit.
5. Tighten and seal all the other conduit caps of the fixture with thread seal tape.

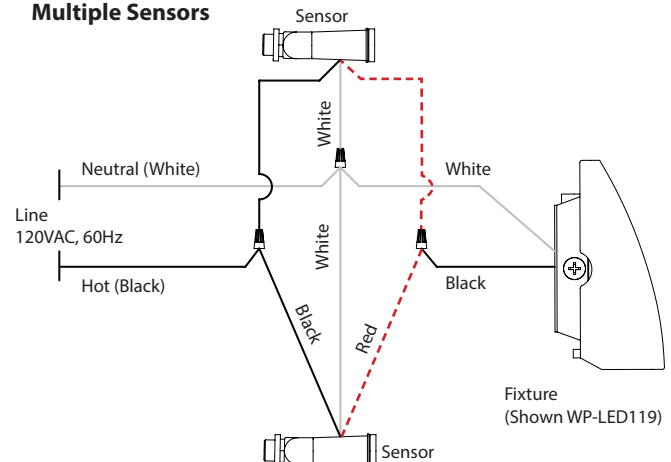


WIRING DIAGRAM

Single Sensor



Multiple Sensors



WAC Lighting
www.waclighting.com
Phone (800) 526.2588 • Fax (800) 526.2585

Headquarters/Eastern Distribution Center
44 Harbor Park Drive • Port Washington, NY 11050
Phone (516) 515.5000 • Fax (516) 515.5050

Western Distribution Center
1750 Archibald Ave • Ontario, CA 91761
Phone (800) 526.2588 • Fax (800) 526.2585



INSTALLATION INSTRUCTION

Photosensor

PC-120

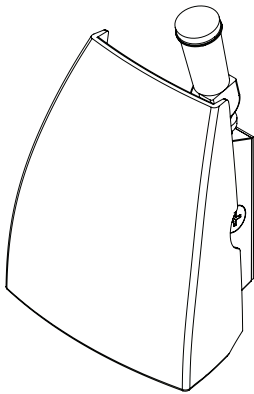
WAC LIGHTING

Responsible Lighting®

OPERATION

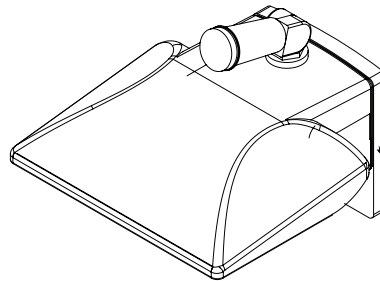
1. Switch on the main power. The lamp will immediately illuminate as the unit goes through its "warm-up" period.
2. After 1 - 2 minutes, the warm-up period will cease and the lamp will extinguish.
3. Based on the existing ambient light, the unit will start functioning automatically.

PC-120 is compatible with the following WAC Outdoor Products



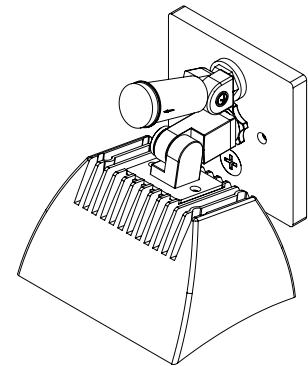
Endurance FIN

WP-LED119
WP-LED127
WP-LED135



Endurance HAWK

WP-LED219
WP-LED227



Endurance FLOOD

WP-LED335

WAC Lighting
www.waclighting.com
Phone (800) 526.2588 • Fax (800) 526.2585

Headquarters/Eastern Distribution Center
44 Harbor Park Drive • Port Washington, NY 11050
Phone (516) 515.5000 • Fax (516) 515.5050

Western Distribution Center
1750 Archibald Ave • Ontario, CA 91761
Phone (800) 526.2588 • Fax (800) 526.2585

