

# MR16 / GU5.3

## 3.0W - 15°

### SPECIFICATIONS & TECHNICAL DATA

The 12V EmeryAllen MR16 retrofit lamp is an energy efficient alternative to halogen MR16 lamps. It offers similar light output to a 12V, 20W incandescent (275-300lm) and is suitable for use in most 12V GU5.3 MR16 fixtures.

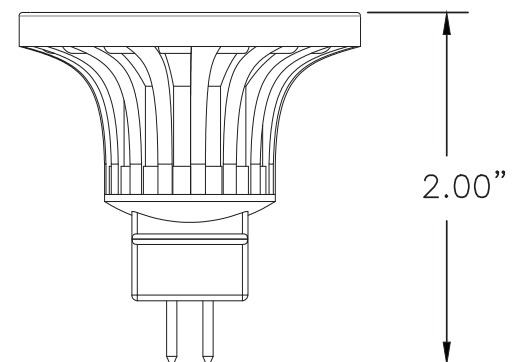
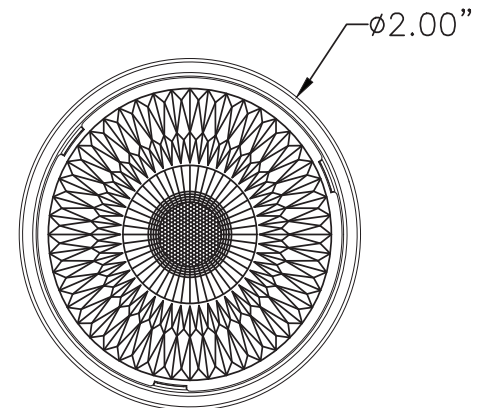
<b>Base Type</b>	GU5.3
<b>Material</b>	Ceramic + PC
<b>Input Voltage</b>	12V AC
<b>Wattage</b>	3.0
<b>Volt-Amperes (VA)</b>	3.32W
<b>CRI</b>	92
<b>Brightness</b>	281 lumens
<b>Lumens/Watt</b>	93
<b>Life</b>	36,000 hours
<b>Color Temperature</b>	2700K, 3000K
<b>R9</b>	53
<b>R13</b>	95
<b>Halogen Equivalent</b>	20W
<b>Beam Angle</b>	15 degrees

#### Available Models:

- EA-MR16-3.0W-15D-2790-D (2700K)
- EA-MR16-3.0W-15D-3090-D (3000K)

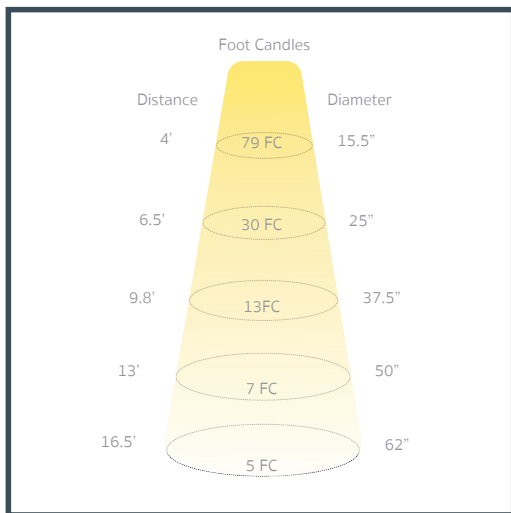
#### Dimming:

- Dimmable with most magnetic and electronic LED compatible transformers
- Dimmable with most MLV and ELV dimmers

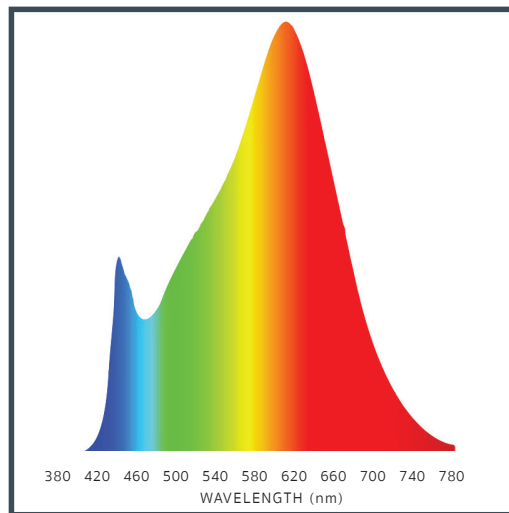


# MR16 / GU5.3 / 3.0W / 15°

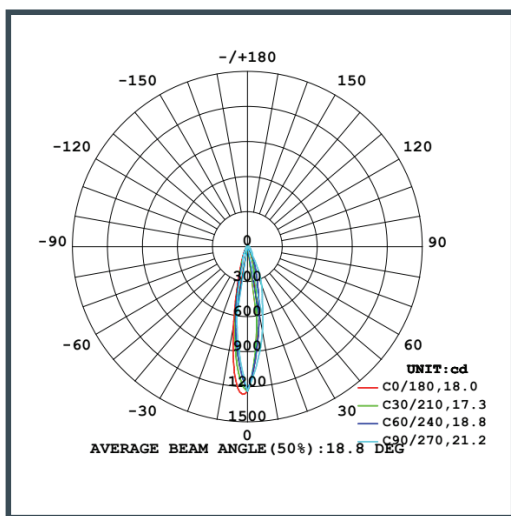
## CANDELA DISTRIBUTION



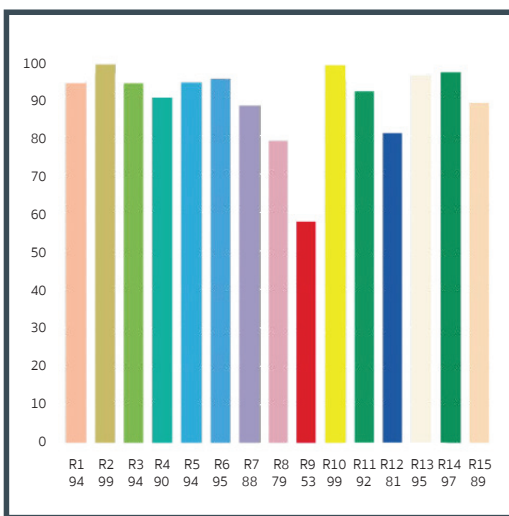
## SPECTRAL DISTRIBUTION



## LUMINOUS INTENSITY



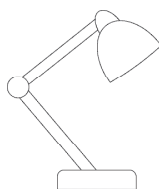
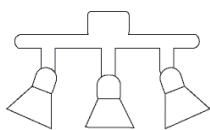
## CRI VALUES R1-R15



## APPLICATIONS

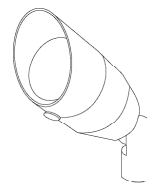
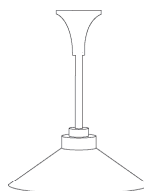
Because of their small size, ability to be enclosed and numerous combinations of options, our MR16 can be used in a variety of applications. Here are a few common ones.

TRACK LIGHTING



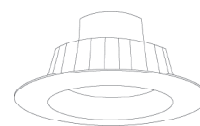
TASK LIGHTING

PENDANTS



LANDSCAPE LIGHTING

RECESSED LIGHTING



# MR16 / GU5.3

## 3.0W - 24°

### SPECIFICATIONS & TECHNICAL DATA

The 12V EmeryAllen MR16 retrofit lamp is an energy efficient alternative to halogen MR16 lamps. It offers similar light output to a 12V, 20W incandescent (275-300lm) and is suitable for use in most 12V GU5.3 MR16 fixtures.

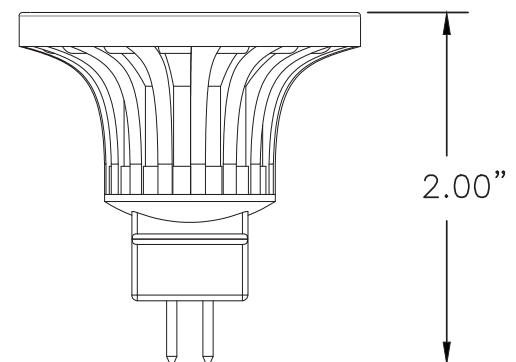
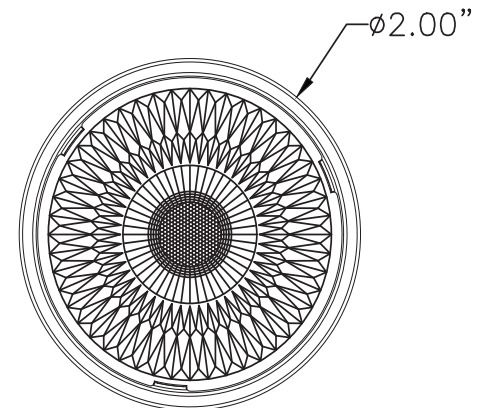
<b>Base Type</b>	GU5.3
<b>Material</b>	Ceramic + PC
<b>Input Voltage</b>	12V AC
<b>Wattage</b>	3.0
<b>Volt-Amperes (VA)</b>	3.34W
<b>CRI</b>	92
<b>Brightness</b>	272 lumens
<b>Lumens/Watt</b>	89
<b>Life</b>	36,000 hours
<b>Color Temperature</b>	2700K, 3000K
<b>R9</b>	53
<b>R13</b>	95
<b>Halogen Equivalent</b>	20W
<b>Beam Angle</b>	24 degrees

#### Available Models:

- EA-MR16-3.0W-24D-2790-D (2700K)
- EA-MR16-3.0W-24D-3090-D (3000K)

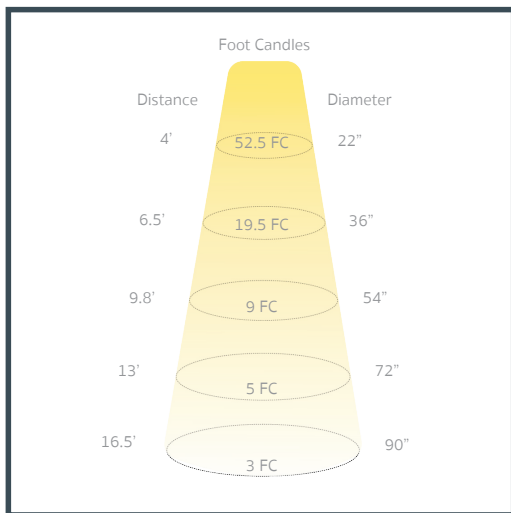
#### Dimming:

- Dimmable with most magnetic and electronic LED compatible transformers
- Dimmable with most MLV and ELV dimmers

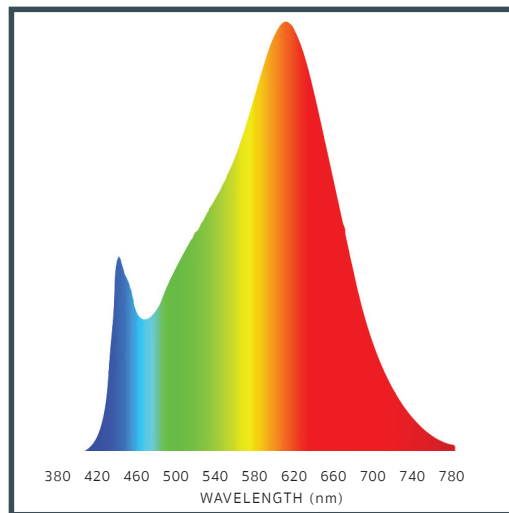


# MR16 / GU5.3 / 3.0W / 24°

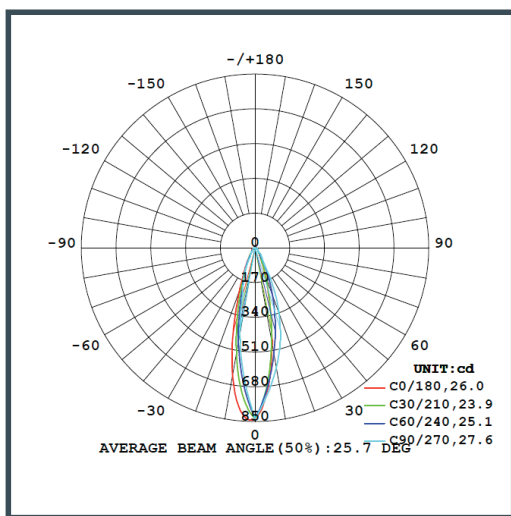
## CANDELA DISTRIBUTION



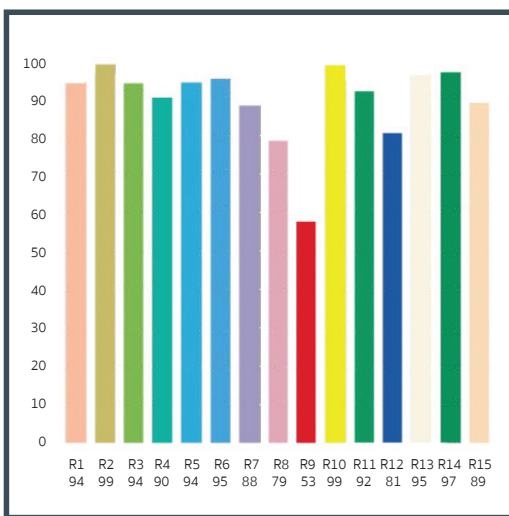
## SPECTRAL DISTRIBUTION



## LUMINOUS INTENSITY



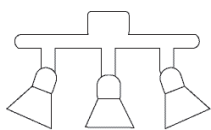
## CRI VALUES R1-R15



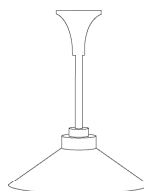
## APPLICATIONS

Because of their small size, ability to be enclosed and numerous combinations of options, our MR16 can be used in a variety of applications. Here are a few common ones.

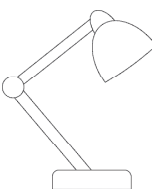
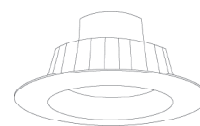
TRACK LIGHTING



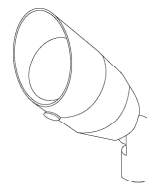
PENDANTS



RECESSED LIGHTING



TASK LIGHTING



LANDSCAPE LIGHTING

# MR16 / GU5.3

## 3.0W - 36°

### SPECIFICATIONS & TECHNICAL DATA

The 12V EmeryAllen MR16 retrofit lamp is an energy efficient alternative to halogen MR16 lamps. It offers similar light output to a 12V, 20W incandescent (275-300lm) and is suitable for use in most 12V GU5.3 MR16 fixtures.

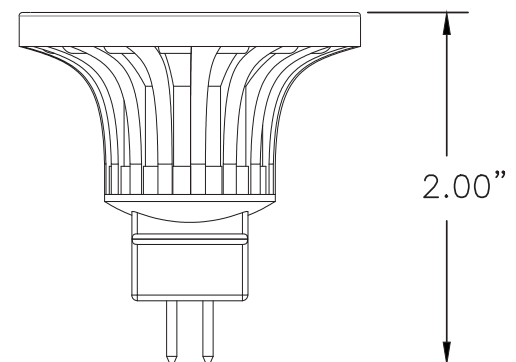
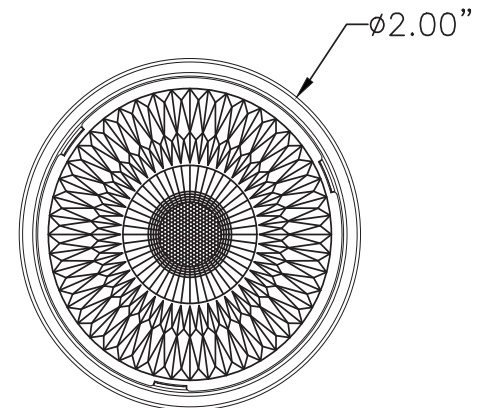
<b>Base Type</b>	GU5.3
<b>Material</b>	Ceramic + PC
<b>Input Voltage</b>	12V AC
<b>Wattage</b>	3.0
<b>Volt-Amperes (VA)</b>	3.33W
<b>CRI</b>	92
<b>Brightness</b>	334 lumens
<b>Lumens/Watt</b>	108
<b>Life</b>	36,000 hours
<b>Color Temperature</b>	2700K, 3000K, 4000K
<b>R9</b>	53
<b>R13</b>	95
<b>Halogen Equivalent</b>	20W
<b>Beam Angle</b>	36 degrees

#### Available Models:

- EA-MR16-3.0W-36D-2790-D (2700K)
- EA-MR16-3.0W-36D-3090-D (3000K)
- EA-MR16-3.0W-36D-4090-D (4000K)

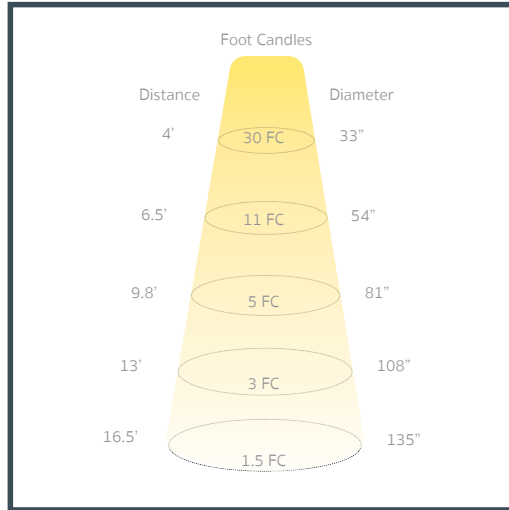
#### Dimming:

- Dimmable with most magnetic and electronic LED compatible transformers
- Dimmable with most MLV and ELV dimmers

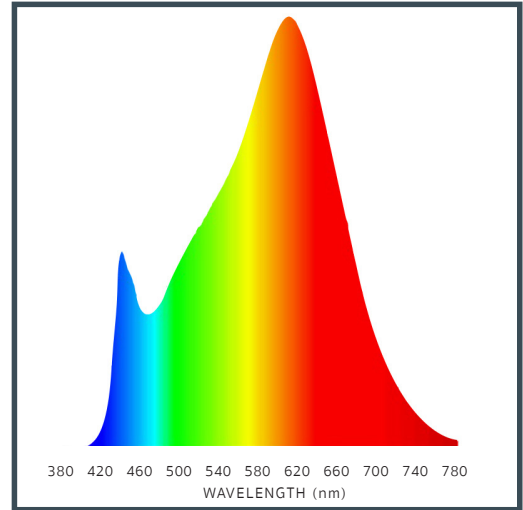


# MR16 / GU5.3 / 3.0W / 36°

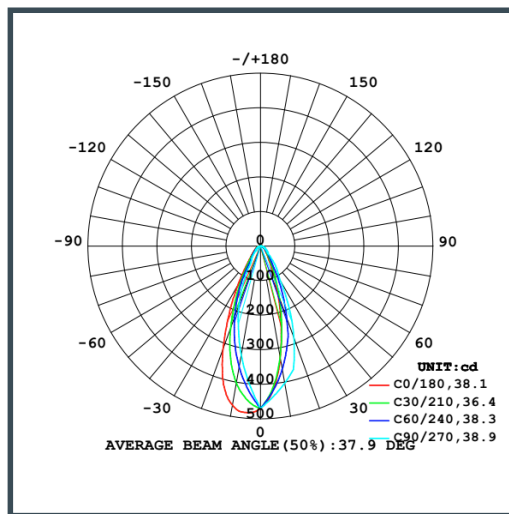
## CANDELA DISTRIBUTION



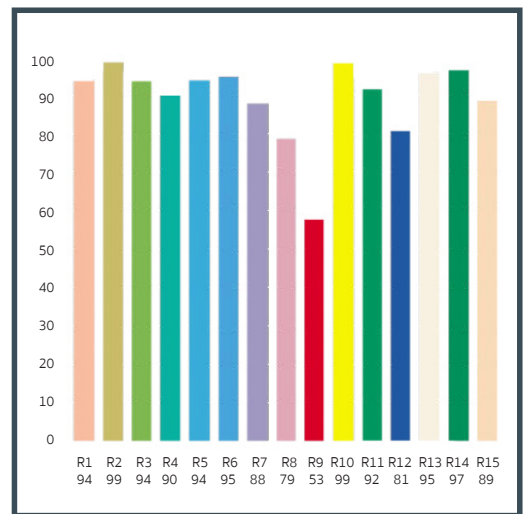
## SPECTRAL DISTRIBUTION



## LUMINOUS INTENSITY



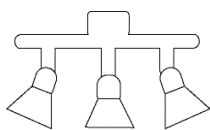
## CRI VALUES R1-R15



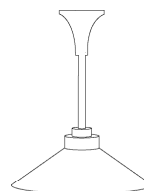
## APPLICATIONS

Because of their small size, ability to be enclosed and numerous combinations of options, our MR16 can be used in a variety of applications. Here are a few common ones.

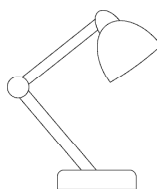
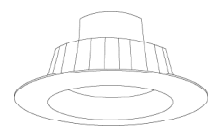
TRACK LIGHTING



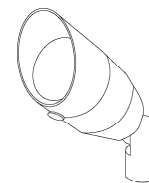
PENDANTS



RECESSED LIGHTING



TASK LIGHTING



LANDSCAPE LIGHTING

# MR16 / GU5.3

## 3.0W - 60°

### SPECIFICATIONS & TECHNICAL DATA

The 12V EmeryAllen MR16 retrofit lamp is an energy efficient alternative to halogen MR16 lamps. It offers similar light output to a 12V, 20W incandescent (275-300lm) and is suitable for use in most 12V GU5.3 MR16 fixtures.

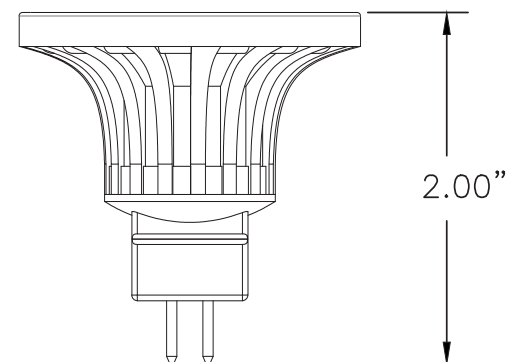
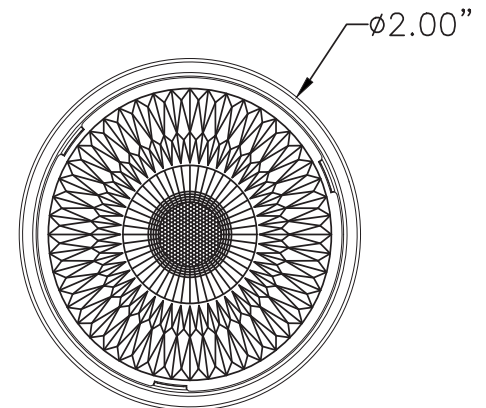
<b>Base Type</b>	GU5.3
<b>Material</b>	Ceramic + PC
<b>Input Voltage</b>	12V AC
<b>Wattage</b>	3.0
<b>Volt-Amperes (VA)</b>	3.35W
<b>CRI</b>	92
<b>Brightness</b>	227 lumens
<b>Lumens/Watt</b>	81
<b>Life</b>	36,000 hours
<b>Color Temperature</b>	2700K, 3000K, 4000K
<b>R9</b>	53
<b>R13</b>	95
<b>Halogen Equivalent</b>	20W
<b>Beam Angle</b>	60 degrees

#### Available Models:

- EA-MR16-3.0W-60D-2790-D (2700K)
- EA-MR16-3.0W-60D-3090-D (3000K)
- EA-MR16-3.0W-60D-4090-D (4000K)

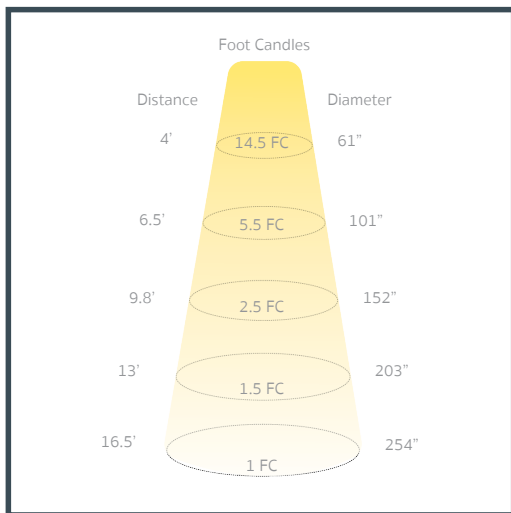
#### Dimming:

- Dimmable with most magnetic and electronic LED compatible transformers
- Dimmable with most MLV and ELV dimmers

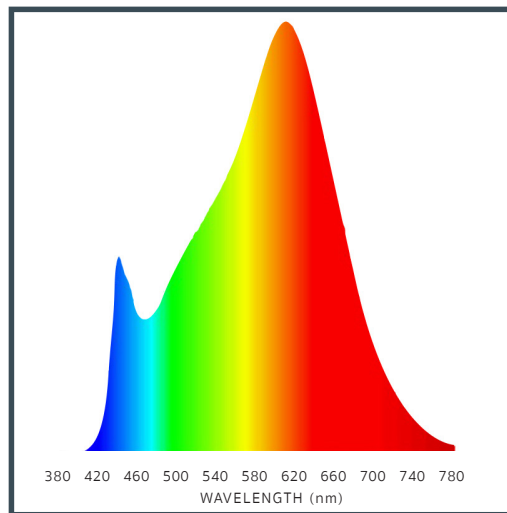


# MR16 / GU5.3 / 3.0W / 60°

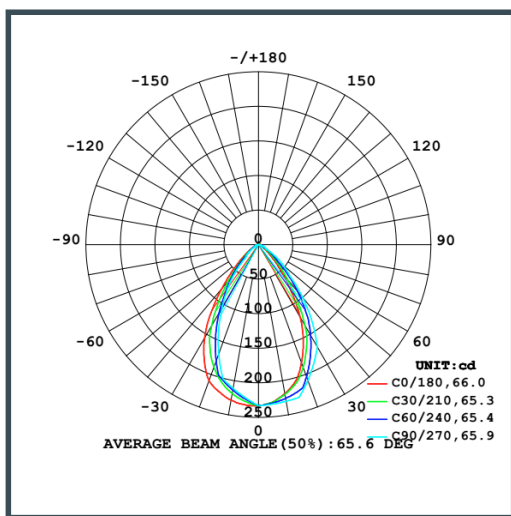
## CANDELA DISTRIBUTION



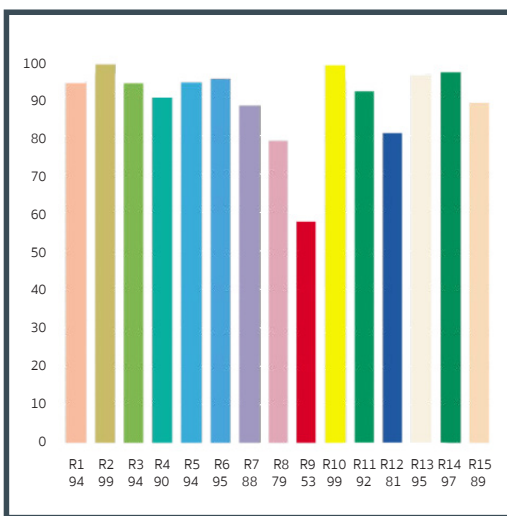
## SPECTRAL DISTRIBUTION



## LUMINOUS INTENSITY



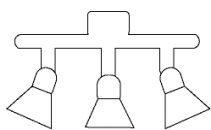
## CRI VALUES R1-R15



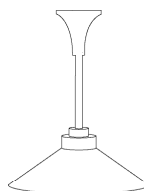
## APPLICATIONS

Because of their small size, ability to be enclosed and numerous combinations of options, our MR16 can be used in a variety of applications. Here are a few common ones.

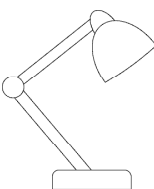
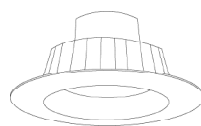
TRACK LIGHTING



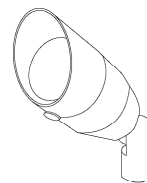
PENDANTS



RECESSED LIGHTING



TASK LIGHTING



LANDSCAPE LIGHTING



# MR16 / GU5.3

## 3.0W - 120°

### SPECIFICATIONS & TECHNICAL DATA

The 12V EmeryAllen MR16 retrofit lamp is an energy efficient alternative to halogen MR16 lamps. It offers similar light output to a 12V, 20W incandescent (275-300lm) and is suitable for use in most 12V GU5.3 MR16 fixtures.

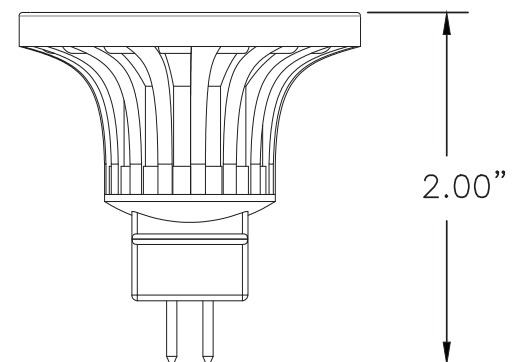
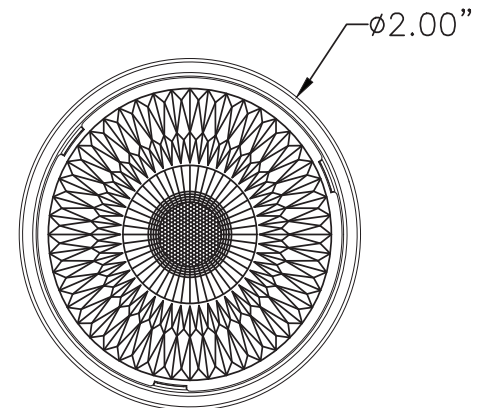
<b>Base Type</b>	GU5.3
<b>Material</b>	Ceramic + PC
<b>Input Voltage</b>	12V AC
<b>Wattage</b>	3.0
<b>Volt-Amperes (VA)</b>	3.39W
<b>CRI</b>	92
<b>Brightness</b>	318 lumens
<b>Lumens/Watt</b>	106
<b>Life</b>	36,000 hours
<b>Color Temperature</b>	2700K, 3000K
<b>R9</b>	53
<b>R13</b>	95
<b>Halogen Equivalent</b>	20W
<b>Beam Angle</b>	120 degrees

#### Available Models:

- EA-MR16-3.0W-120D-2790-D (2700K)
- EA-MR16-3.0W-120D-3090-D (3000K)

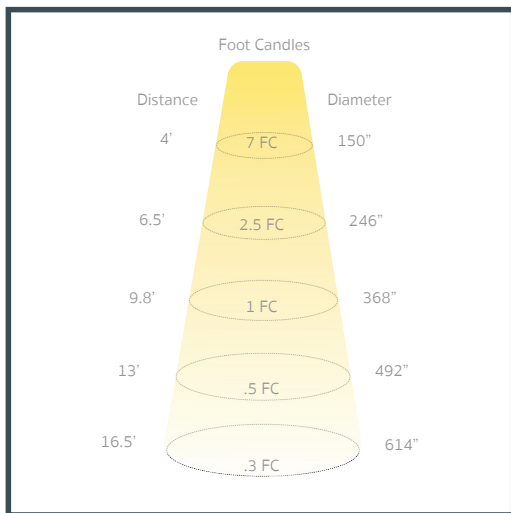
#### Dimming:

- Dimmable with most magnetic and electronic LED compatible transformers
- Dimmable with most MLV and ELV dimmers

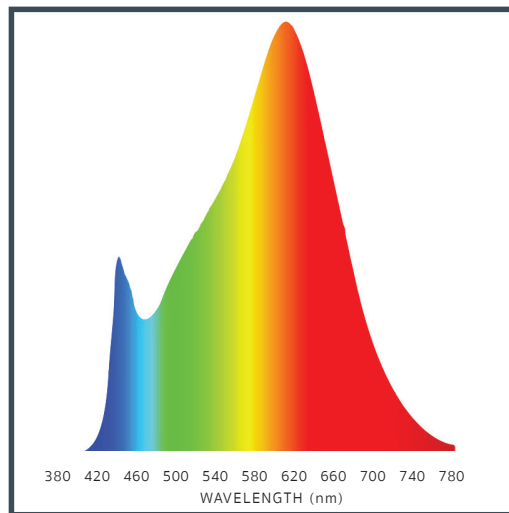


# MR16 / GU5.3 / 3.0W / 120°

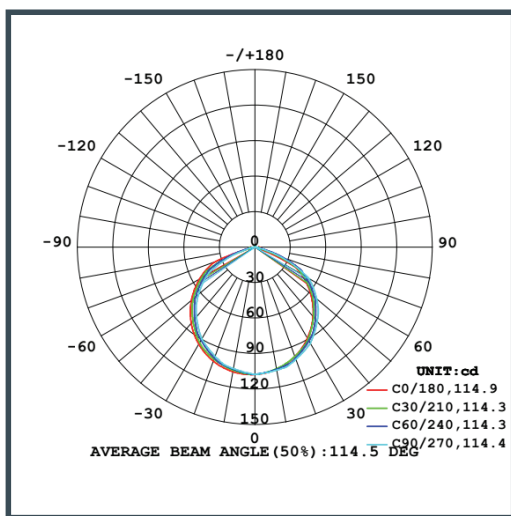
## CANDELA DISTRIBUTION



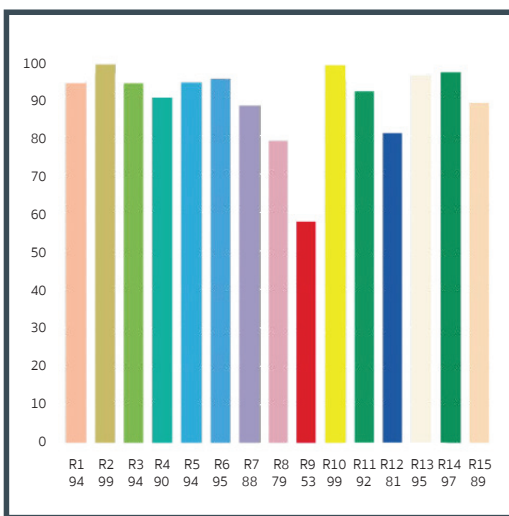
## SPECTRAL DISTRIBUTION



## LUMINOUS INTENSITY



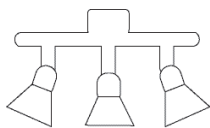
## CRI VALUES R1-R15



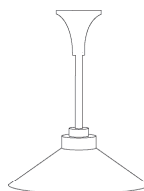
## APPLICATIONS

Because of their small size, ability to be enclosed and numerous combinations of options, our MR16 can be used in a variety of applications. Here are a few common ones.

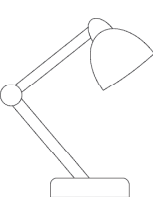
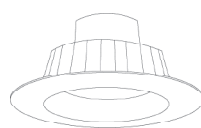
TRACK LIGHTING



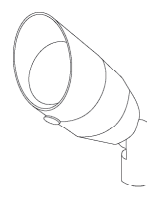
PENDANTS



RECESSED LIGHTING



TASK LIGHTING



LANDSCAPE LIGHTING