

MR16 / GU5.3

1.0W - 24°

SPECIFICATIONS & TECHNICAL DATA

The 12V EmeryAllen MR16 retrofit lamp is an energy efficient alternative to halogen MR16 lamps. It offers similar light output to a 12V, 10W incandescent (75-125lm) and is suitable for use in most 12V GU5.3 MR16 fixtures.

Base Type	GU5.3
Material	Ceramic + PC
Input Voltage	12V AC
Wattage	1.21
Volt-Amperes (VA)	1.54W
CRI	92
Brightness	123 lumens
Lumens/Watt	101
Life	36,000 hours
Color Temperature	2700K, 3000K
R9	53
R13	95
Halogen Equivalent	10W
Beam Angle	24 degrees

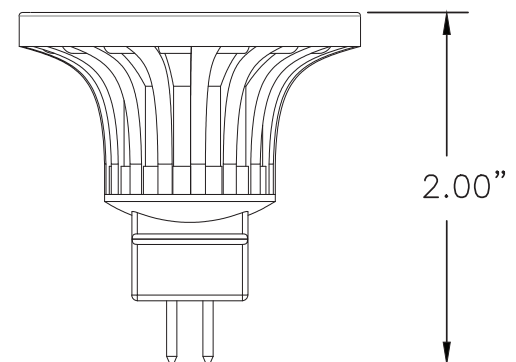
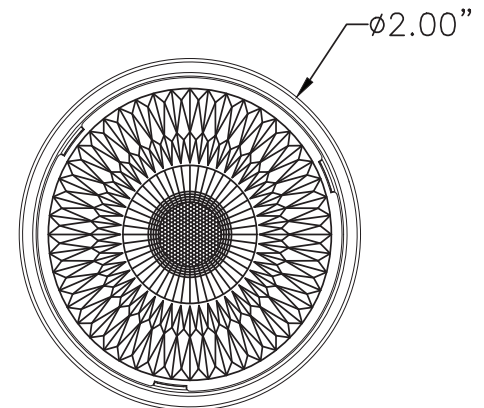
Available Models:

- EA-MR16-1.0W-24D-2790-D (2700K)
- EA-MR16-1.0W-24D-3090-D (3000K)

Dimming:

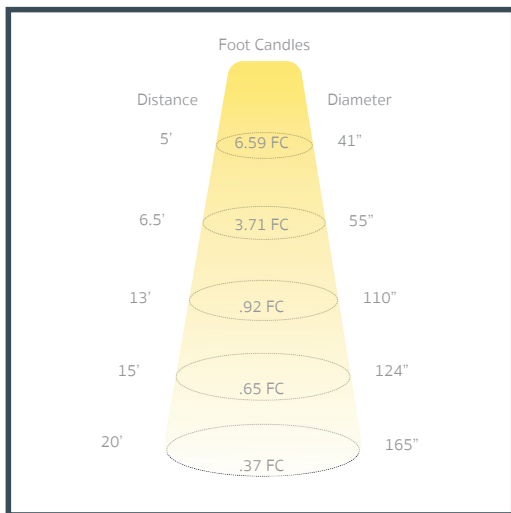
- Dimmable with most magnetic and electronic LED compatible transformers
- Dimmable with most MLV and ELV dimmers

US PAT: US D869,009

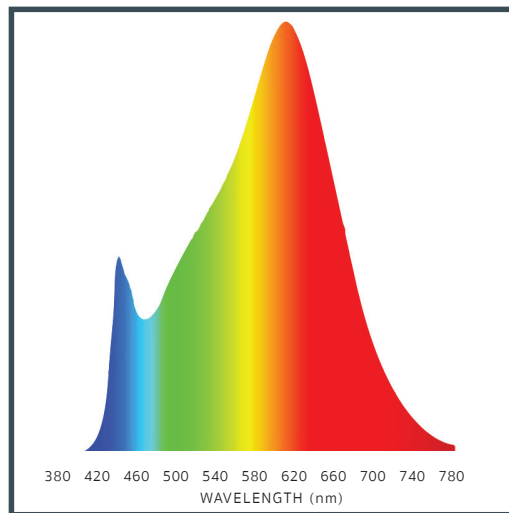


MR16 / GU5.3 / 1.0W / 24°

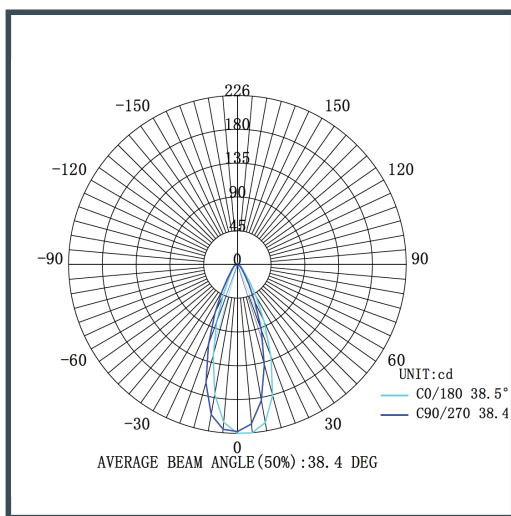
CANDELA DISTRIBUTION



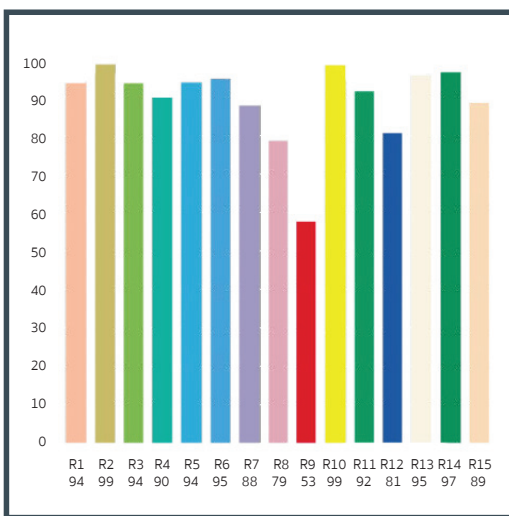
SPECTRAL DISTRIBUTION



LUMINOUS INTENSITY



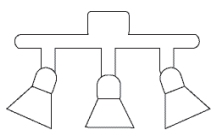
CRI VALUES R1-R15



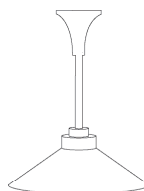
APPLICATIONS

Because of their small size, ability to be enclosed and numerous combinations of options, our MR16 can be used in a variety of applications. Here are a few common ones.

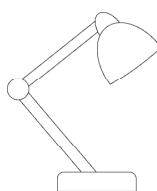
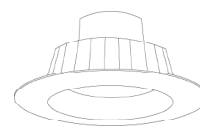
TRACK LIGHTING



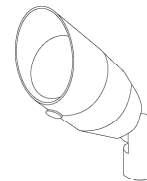
PENDANTS



RECESSED LIGHTING



TASK LIGHTING



LANDSCAPE LIGHTING

MR16 / GU5.3

1.0W - 36°

SPECIFICATIONS & TECHNICAL DATA

The 12V EmeryAllen MR16 retrofit lamp is an energy efficient alternative to halogen MR16 lamps. It offers similar light output to a 12V, 10W incandescent (75-125lm) and is suitable for use in most 12V GU5.3 MR16 fixtures.

Base Type	GU5.3
Material	Ceramic + PC
Input Voltage	12V AC
Wattage	1.12
Volt-Amperes (VA)	1.41W
CRI	92
Brightness	127 lumens
Lumens/Watt	113
Life	36,000 hours
Color Temperature	2700K, 3000K
R9	53
R13	95
Halogen Equivalent	10W
Beam Angle	36 degrees

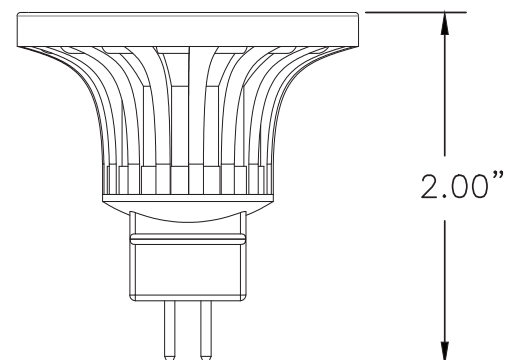
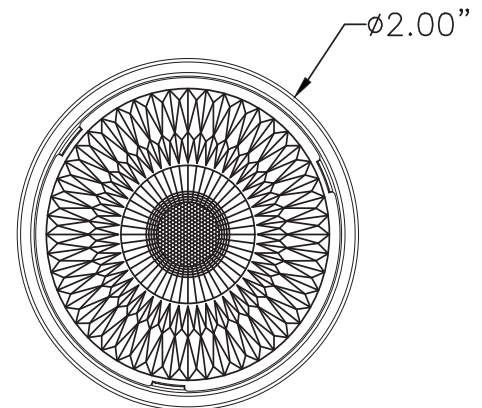
Available Models:

- EA-MR16-1.0W-36D-2790-D (2700K)
- EA-MR16-1.0W-36D-3090-D (3000K)

Dimming:

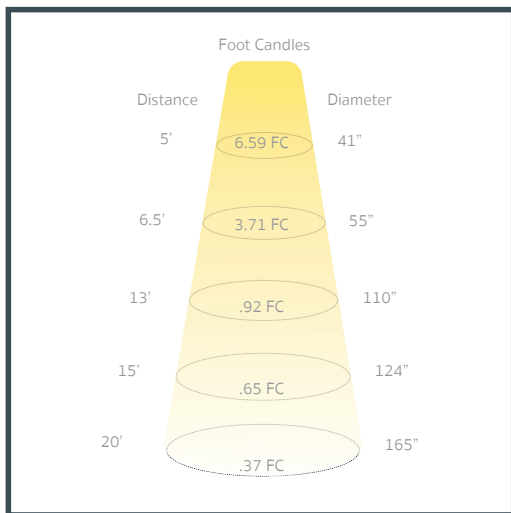
- Dimmable with most magnetic and electronic LED compatible transformers
- Dimmable with most MLV and ELV dimmers

US PAT: US D869,009

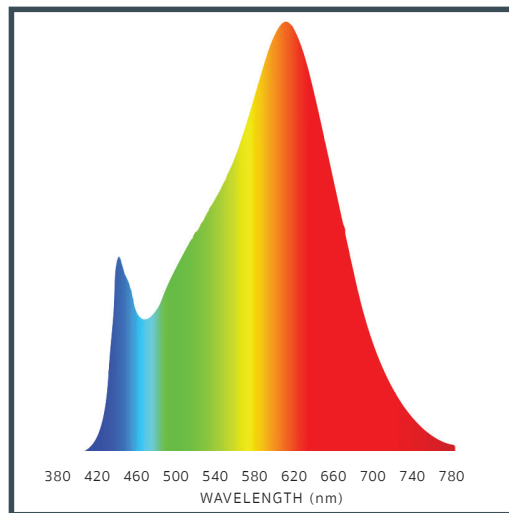


MR16 / GU5.3 / 1.0W / 36°

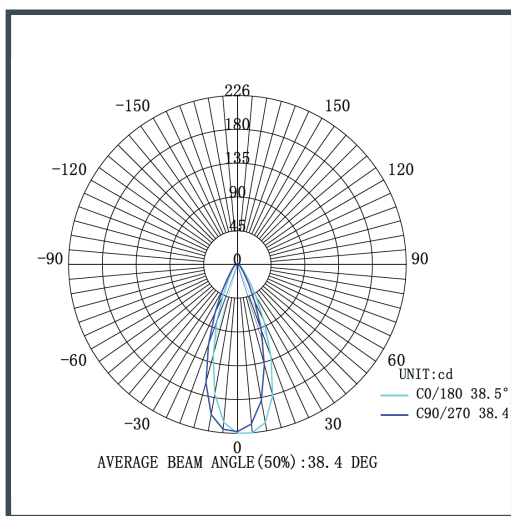
CANDELA DISTRIBUTION



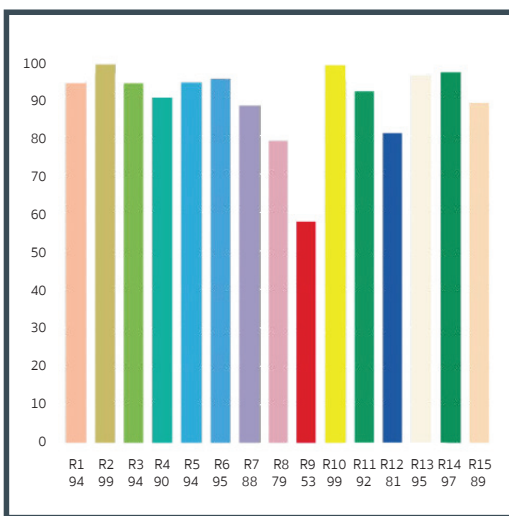
SPECTRAL DISTRIBUTION



LUMINOUS INTENSITY



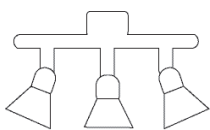
CRI VALUES R1-R15



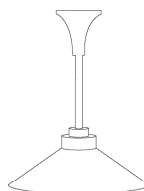
APPLICATIONS

Because of their small size, ability to be enclosed and numerous combinations of options, our MR16 can be used in a variety of applications. Here are a few common ones.

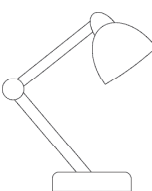
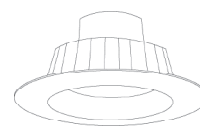
TRACK LIGHTING



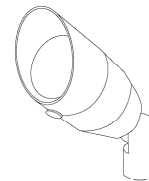
PENDANTS



RECESSED LIGHTING



TASK LIGHTING



LANDSCAPE LIGHTING

MR16 / GU5.3

1.0W - 60°

SPECIFICATIONS & TECHNICAL DATA

The 12V EmeryAllen MR16 retrofit lamp is an energy efficient alternative to halogen MR16 lamps. It offers similar light output to a 12V, 10W incandescent (75-125lm) and is suitable for use in most 12V GU5.3 MR16 fixtures.

Base Type	GU5.3
Material	Ceramic + PC
Input Voltage	12V AC
Wattage	1.25
Volt-Amperes (VA)	1.55W
CRI	92
Brightness	131 lumens
Lumens/Watt	105
Life	36,000 hours
Color Temperature	2700K, 3000K
R9	53
R13	95
Halogen Equivalent	10W
Beam Angle	60 degrees

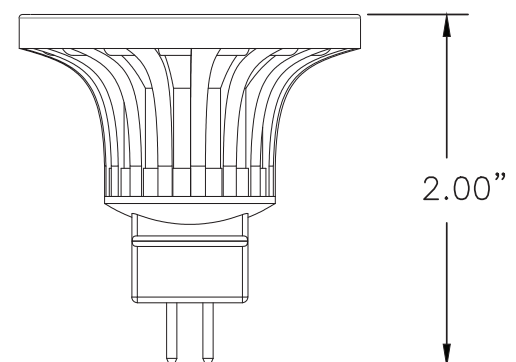
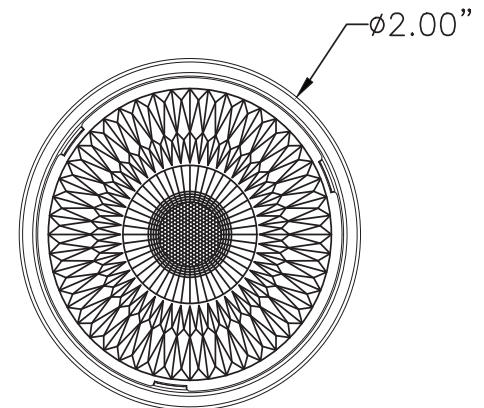
Available Models:

- EA-MR16-1.0W-60D-2790-D (2700K)
- EA-MR16-1.0W-60D-3090-D (3000K)

Dimming:

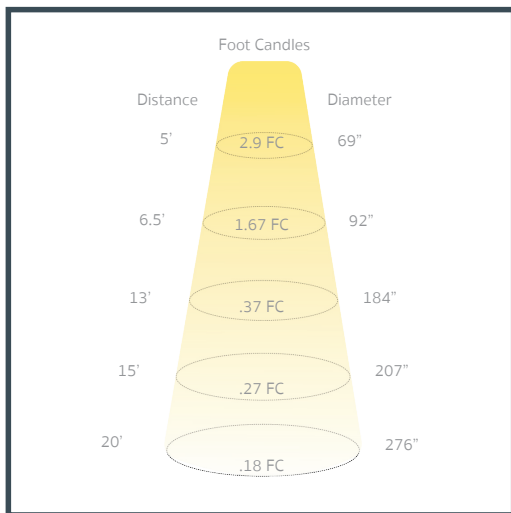
- Dimmable with most magnetic and electronic LED compatible transformers
- Dimmable with most MLV and ELV dimmers

US PAT: US D869,009

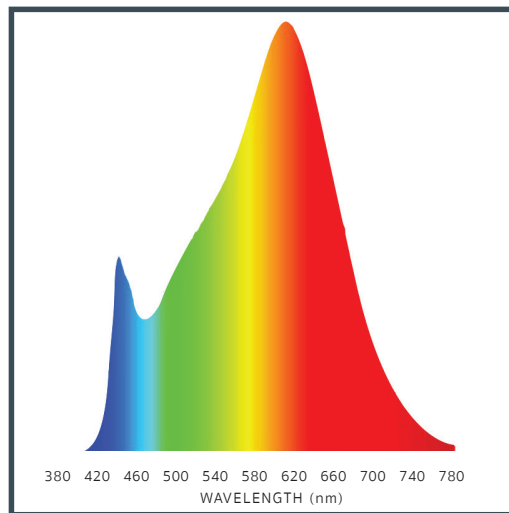


MR16 / GU5.3 / 1.0W / 60°

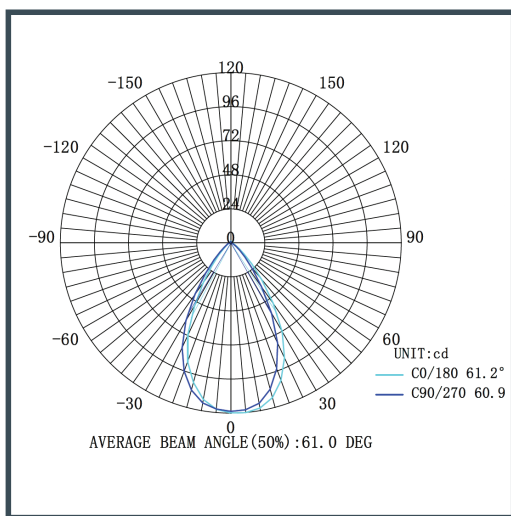
CANDELA DISTRIBUTION



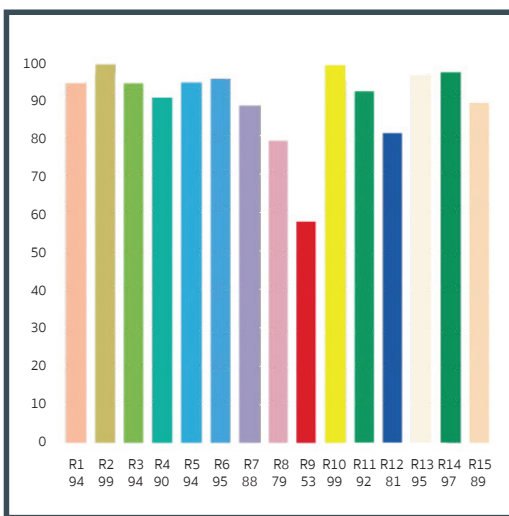
SPECTRAL DISTRIBUTION



LUMINOUS INTENSITY



CRI VALUES R1-R15



APPLICATIONS

Because of their small size, ability to be enclosed and numerous combinations of options, our MR16 can be used in a variety of applications. Here are a few common ones.



MR16 / GU5.3

1.0W - 120°

SPECIFICATIONS & TECHNICAL DATA

The 12V EmeryAllen MR16 retrofit lamp is an energy efficient alternative to halogen MR16 lamps. It offers similar light output to a 12V, 10W incandescent (75-125lm) and is suitable for use in most 12V GU5.3 MR16 fixtures.

Base Type	GU5.3
Material	Ceramic + PC
Input Voltage	12V AC
Wattage	1.26
Volt-Amperes (VA)	1.50W
CRI	92
Brightness	100 lumens
Lumens/Watt	80
Life	36,000 hours
Color Temperature	2700K, 3000K
R9	53
R13	95
Halogen Equivalent	10W
Beam Angle	120 degrees

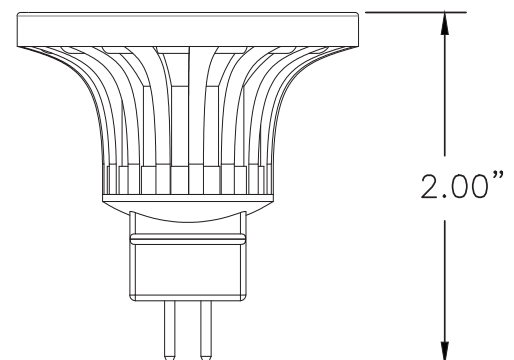
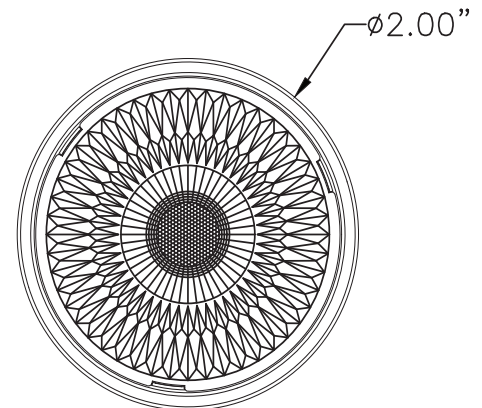
Available Models:

- EA-MR16-1.0W-120D-2790-D (2700K)
- EA-MR16-1.0W-120D-3090-D (3000K)

Dimming:

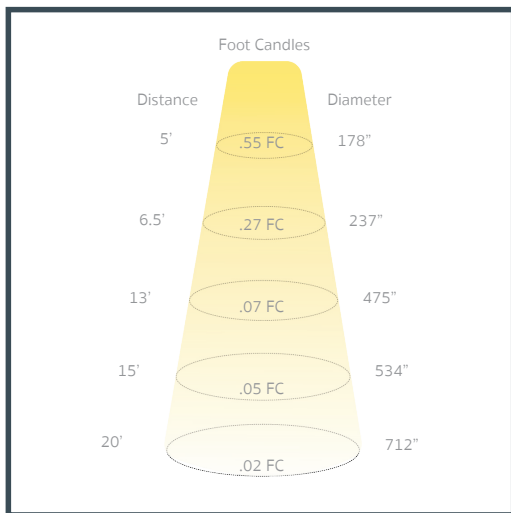
- Dimmable with most magnetic and electronic LED compatible transformers
- Dimmable with most MLV and ELV dimmers

US PAT: US D869,009

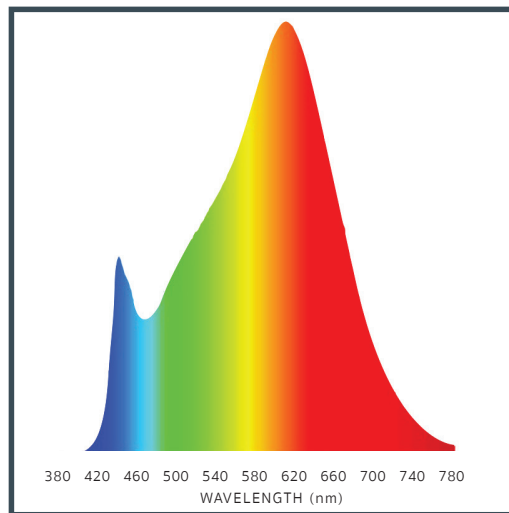


MR16 / GU5.3 / 1.0W / 120°

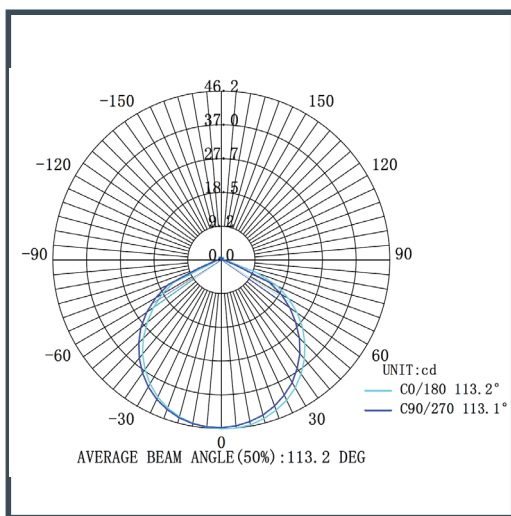
CANDELA DISTRIBUTION



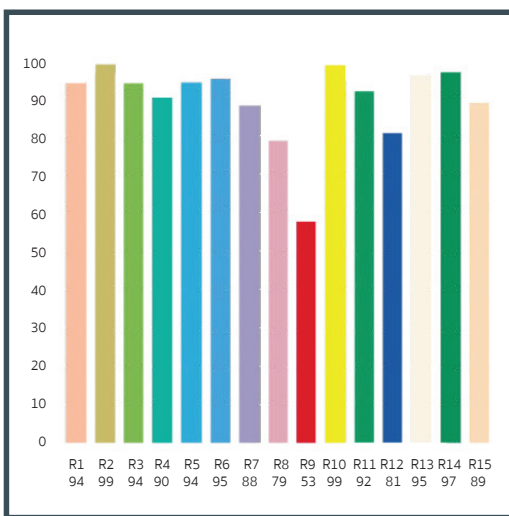
SPECTRAL DISTRIBUTION



LUMINOUS INTENSITY



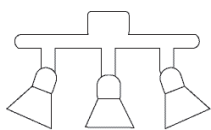
CRI VALUES R1-R15



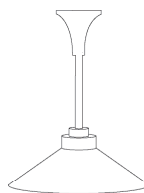
APPLICATIONS

Because of their small size, ability to be enclosed and numerous combinations of options, our MR16 can be used in a variety of applications. Here are a few common ones.

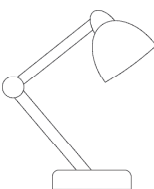
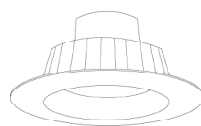
TRACK LIGHTING



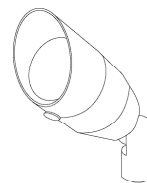
PENDANTS



RECESSED LIGHTING



TASK LIGHTING



LANDSCAPE LIGHTING