

CONGRATULATIONS

You've purchased the finest lighted mirror available, from the global leader in mirror technology. This lighted mirror is quick and easy to install, and is designed and manufactured to offer you years of enjoyment.

Please read these instructions thoroughly before beginning installation. If you have any questions, please contact our Customer Service team at 425.776.4946, or customer.support@electricmirror.com.

APPLICATION

These installation instructions apply to the lighted mirrors listed below with a Part # prefix that includes the number 2. For example, the Celebration lighted mirror Part # prefix is CEB2.

To confirm the Part # for your product, look for the product sticker on the inside of the chassis.



- | | | | |
|-------------------|--------------------|-------------------|---------------------|
| • Aria (ARI2) | • Eyla (EYL2) | • Jewel (JWL2) | • Prism (PRI2) |
| • Bela (BEL2) | • Facet (FAC2) | • Momentum (MOM2) | • Reflection (REF2) |
| • Crown (CRO2) | • Fusion (FUS2) | • Novo (NOV2) | • Serenity (SER2) |
| • Eternity (ETE2) | • Integrity (INT2) | • Novo 4 (NOV42) | • Silhouette (SIL2) |
| | | | • Trinity (TRI2) |

For mirrors not listed above, see additional Installation Instructions located at www.electricmirror.com/installation-instructions.

TABLE OF CONTENTS

1. Review important safety instructions.....	2
2. Unpack your lighted mirror.....	2
3. Determine the mirror location	3
4. Prepare the electrical	4
5. Mount the chassis.....	5
6. Connect the electrical	6
7. Connect optional upgrade technology.....	7
8. Wire the dimming switch.....	8
9. Hang the mirror.....	10
10. Clean the mirror	12

1. REVIEW IMPORTANT SAFETY INSTRUCTIONS



A. Use a qualified electrician.

Your lighted mirror must be installed by a qualified technician or electrician. These instructions assume an electrical connection has already been brought to the mirror location in the wall. All electrical components must be serviced by qualified electricians. Power source must be disconnected prior to servicing components.

B. Read and follow instructions.

For proper installation, read and install the mirror according to these instructions, and keep a copy for future use. Failure to follow these instructions voids the warranty.

C. Follow safety precautions.

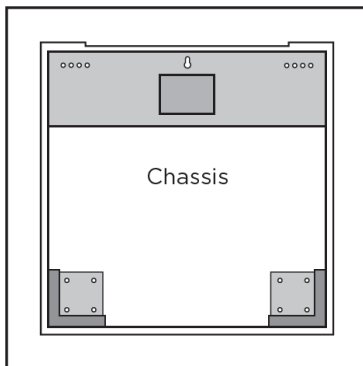
To prevent injury, the mirror must be installed according to these instructions. Failure to do so could result in serious injury or death.

2. UNPACK YOUR LIGHTED MIRROR

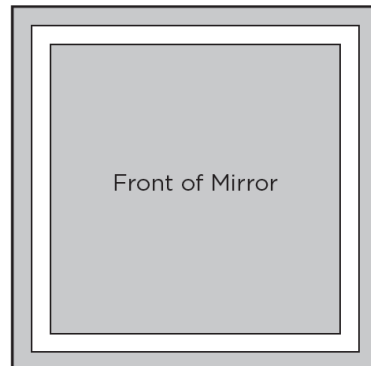
A. Verify the contents.

Unpack the boxes, and identify and verify all contents prior to installation. In general, your mirror will include the following:

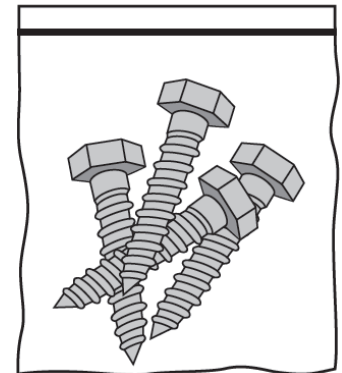
Chassis Assembly



Mirror Assembly*



Mounting screws (4-pack)



*Mirror glass is fragile. Keep edge protectors in place and rest mirror on a cushioned surface. Do not place on a hard surface.

3. DETERMINE THE MIRROR LOCATION

A. Confirm proper mirror orientation.

All lighted mirrors must be mounted in the width x height orientation identified in the part number because the mirror hanger is permanently attached to the back of the mirror and can only be installed in the designated orientation. A leveling keyhole is located at the top center of the chassis to aid in identifying the proper orientation.

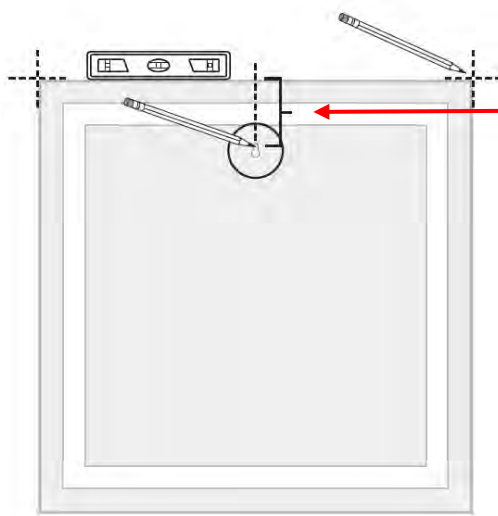
B. Determine and mark mirror location on the wall.

The top edge of the mirror glass must be a minimum of 1" from the ceiling.

To ease installation, a keyhole slot is provided in the top center of the chassis. This allows the chassis to temporarily hang on a single screw while being adjusted.

To identify the proper location for the leveling screw, find the appropriate distance in the chart below for your specific mirror. Measure and mark that distance on the wall. This mark must be in the horizontal center of the mirror location. This is the minimum distance needed from the ceiling to the top of the mirror glass.

Mirror Type	Mirror Width	Keyhole Distance from Mirror Top*
Novo	< 36"	1.75"
Novo	≥ 36"	2.5"
All other mirrors	< 36"	4.75
All other mirrors	≥ 36"	5.5"



*This is in addition to the 1" minimum glass clearance from the ceiling.

4. PREPARE THE ELECTRICAL

A. Follow safety precautions.

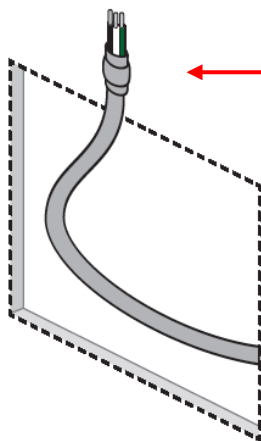
Turn power off to the circuit via the breaker box powering this mirror. Follow all NEC (National Electric Code) wiring standards for installation.

B. Determine the location where the electrical wiring should come through the wall.

The electrical entry location is the center point from left to right of the mirror chassis. Generally, the wiring needs to come out of the wall roughly 14 inches from where the top of the mirror glass will be located. For specific information visit www.electricmirror.com/product-specifications.

C. Bring electrical power to the mirror location.

The lighted mirror requires a switched 120V 60Hz circuit. If your mirror has additional options, there may be additional power requirements. When bringing out the wiring, leave a 3-foot whip*.

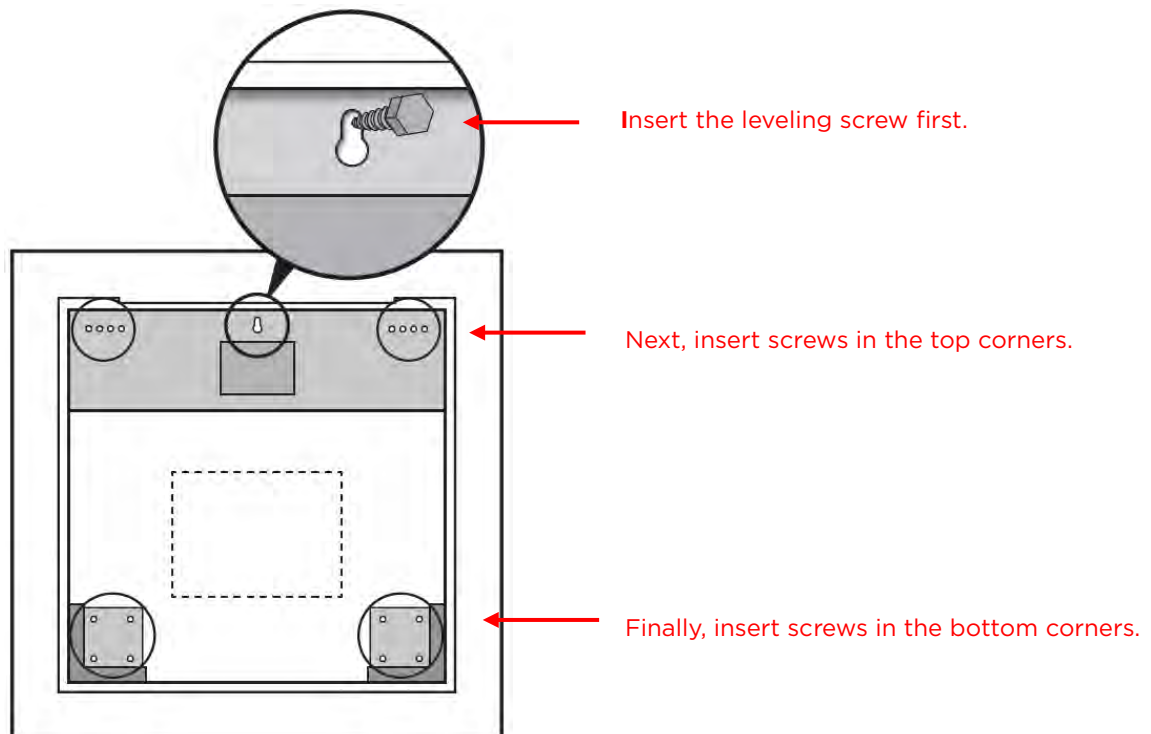


*Ensure a 3' long electrical whip is available coming out of the wall.

5. MOUNT THE CHASSIS

A. Install the mounting screws.

- i. Insert a screw in the mark made earlier, leaving the screw head protruding 1/8" from the wall.
- ii. Carefully raise the chassis, align the keyhole with the leveling screw, and hang the chassis on the wall.
- iii. Ensure the chassis is level.
- iv. Insert mounting screws in the top two corners. Multiple screw locations are offered; insert a minimum of one screw per corner. These mounting screws are load-bearing and should be drilled into a wall stud or suitable backing (if this isn't possible, use appropriate wall anchors).
- v. Remove the keyhole screw, it will be used as a mounting screw for one of the bottom corners.
- vi. Install the bottom mounting screws. The chassis mounting is now complete.

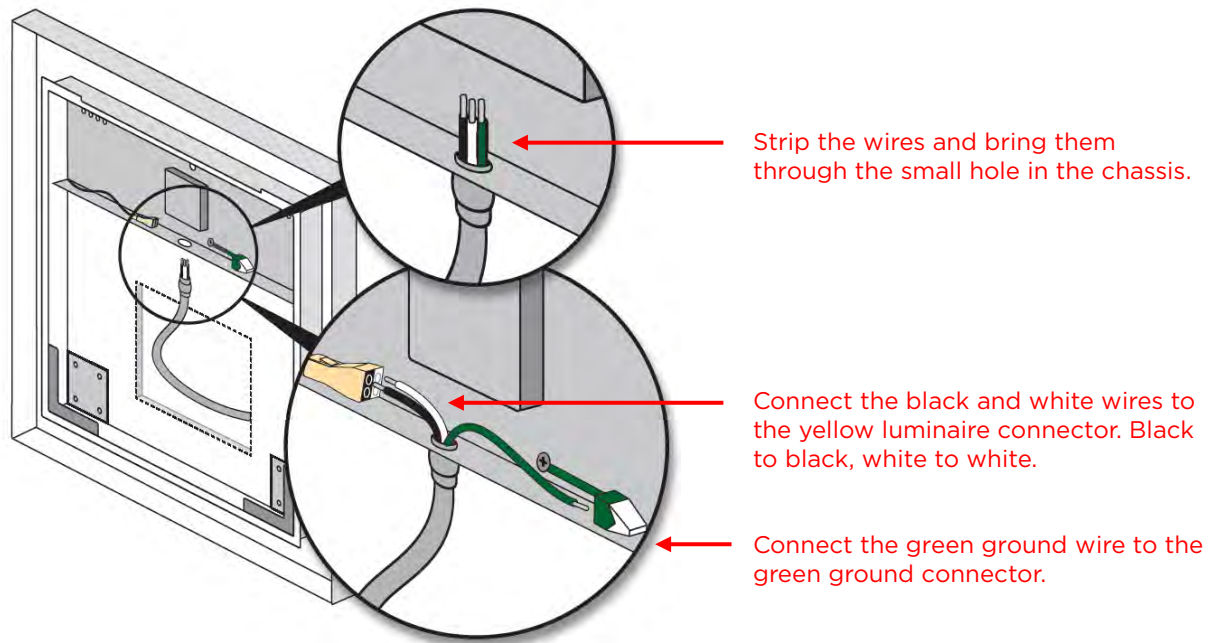


6. CONNECT THE ELECTRICAL

A. Prepare the luminaire connectors.

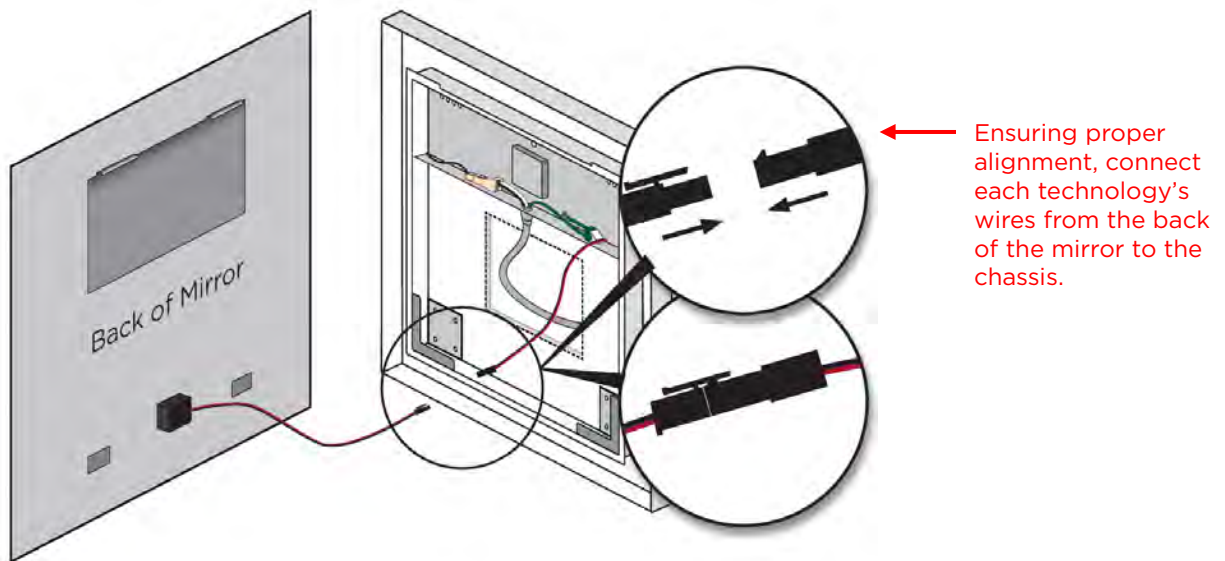
The lighted mirror uses a luminaire connector for connecting the power coming from the wall to the wiring in the chassis. To prepare the connectors, follow these steps:

- i. The two halves of the luminaire connector (yellow or orange plastic) will come connected and attached to the power cord in the mirror chassis. Separate the two halves by removing the unwired half. It will be used to connect to wiring coming from the wall.
- ii. Take the Ground (green) wire and strip the wire 0.375". Connect the ground wire by inserting it into the ground connector on the chassis.
- iii. Strip the hot (black) and neutral (white) wires in the same way as the ground. Insert the hot and neutral wires into the free half of the luminaire connector. The connectors are a push-wire style; you will not require any tooling to insert the wires.
- iv. Connect the luminaire ends together.
- v. If your mirror does not have optional technology upgrades, turn the power on at the breaker box and test the functionality of the lights prior to hanging the mirror.



7. CONNECT OPTIONAL UPGRADE TECHNOLOGY (if applicable)

- A. If your mirror has optional upgrade technologies such as Ava, Keen, Vive, Seamless, or Poet follow the wiring instructions below.
- i. In addition to the luminaire connectors, there will be another set of wires coming from the chassis as well as a set of wires connected to module on the back of the mirror for each technology included.
 - ii. Ensuring that the locking lever and locking tab are properly aligned, connect the wire from the chassis to the wire from the back of the mirror.
 - iii. Repeat the previous step for each optional technology.
 - iv. Turn the power on at the breaker box and test the functionality of the technology prior to hanging the mirror.
 - v. If you completed the Optional Upgrade technology steps for either Ava or Keen, skip the steps listed in section 8 - Wire the Dimming Switch.



8. WIRE THE DIMMING SWITCH (if applicable)

The dimming switches will not be compatible with Ava or Keen technology upgrades.

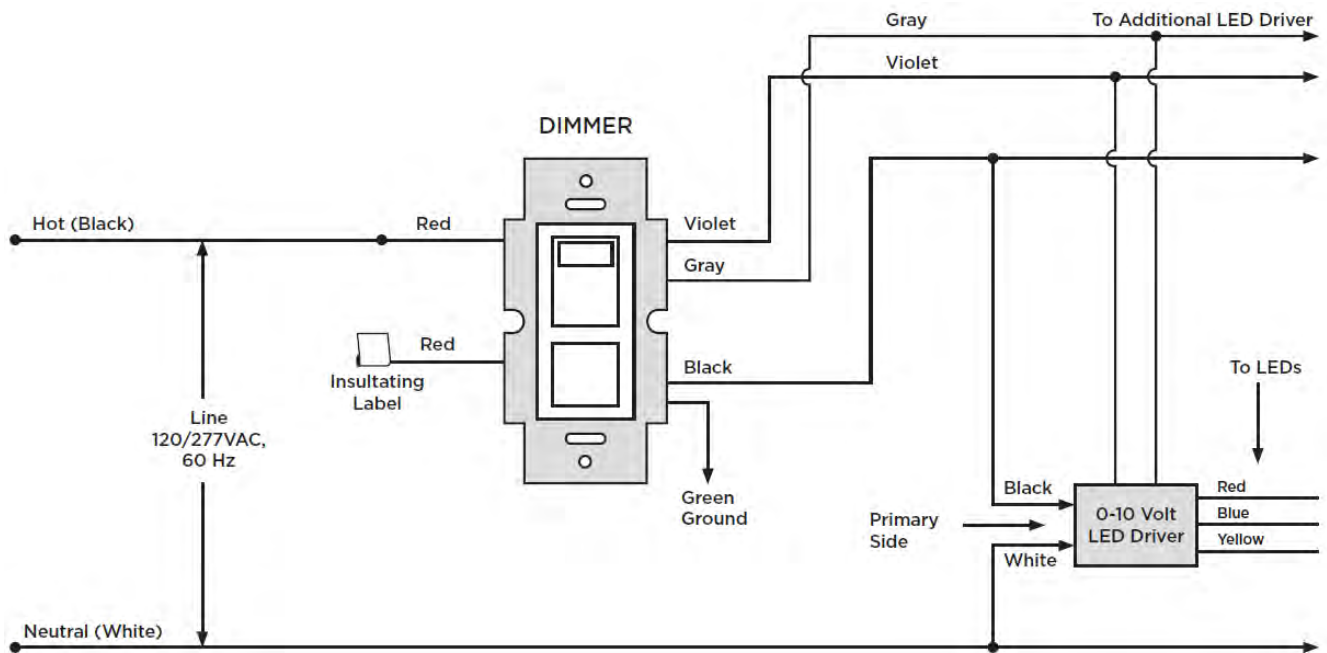
If you are connecting the lighted mirror to a dimming switch, follow these instructions. If not, skip to step 9.

A. D1 0-10 Volt Dimming

Electric Mirror recommends Leviton IP710-LFZ (not included) for 0-10 Volt Dimming.

A 0-10 Volt control signal is a DC voltage that varies between zero and ten volts. The controlled lighting should scale its output so that at 10 V, the controlled light is at 100% of its potential output, and at 0 V it should be at the lowest possible dimming level. The low voltage wires must be run in separate conduit from the line voltage supply. The chassis has two knockouts to accommodate the two sets of wire.

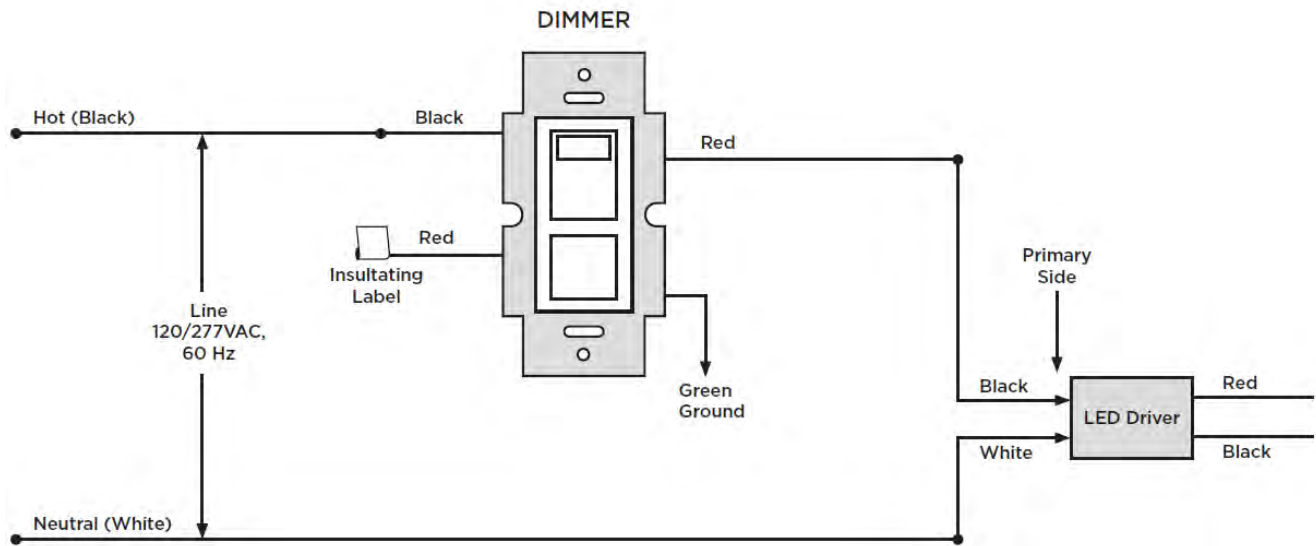
A second luminaire disconnect is provided for the low voltage dimming wires, refer to luminaire connector notes above for information. Match colored wires, purple to purple, grey to grey.



B. D2 Forward Phase Dimming

Electric Mirror recommends Leviton IPL06-10Z (not included) for Forward Phase Dimming.

Two-wire control is a line-voltage phase-control dimming method. The LED driver receives the dimming signal through the dimmed hot wire.



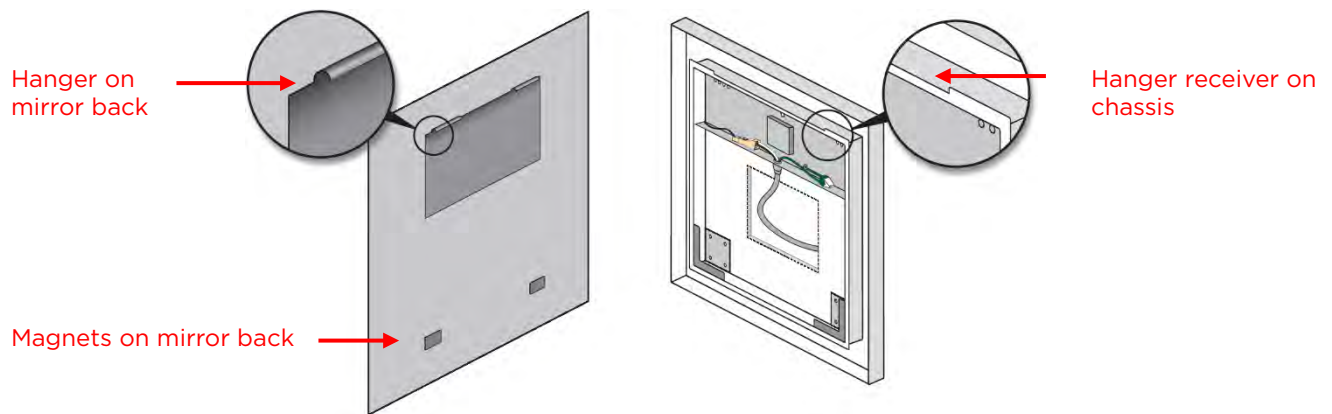
9. HANG THE MIRROR

A. Understand the hanging system.

Hanging the mirror involves three components:

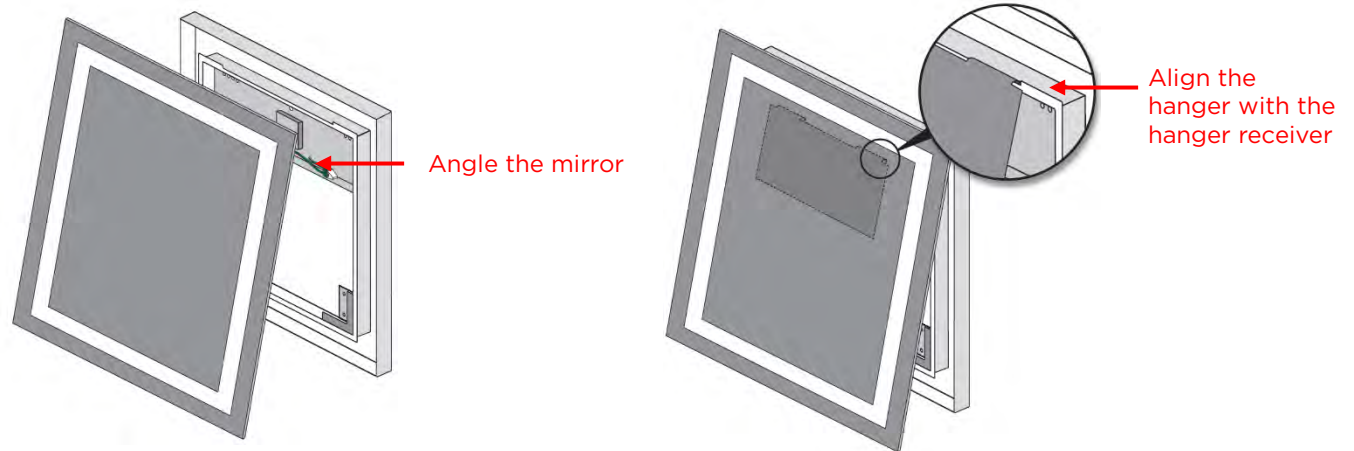
- A hanger located on the back of the mirror
- A hanger receiver located on the chassis
- Anchoring magnets located on the bottom of the mirror

The weight of the mirror is supported at the top of the chassis. The magnets at the bottom anchor the mirror to the chassis and are required to keep the mirror firmly in place.



B. Align the mirror with the chassis.

Remove only the top protectors, then carefully lift the mirror and angle the top edge slightly towards the chassis to align the hanger with the hanger receiver. If you're installing a closed-chassis mirror (one in which the LEDs are not visible on the sides), take extra care not to damage the rear surface of the mirror against the chassis wall edges.



C. Engage the magnets.

With the top hanger set in the chassis, lower the bottom edge of the mirror to engage the magnets. Caution: magnets can be stripped off the back of the mirror if the mirror is lowered in a slide-down motion against the chassis. Make sure you let the mirror swing-in closed after the hanger is centered in place on the chassis.

10. CLEAN THE MIRROR

A. Use the correct cleaner.

The best and safest cleaner is clean, warm water used with a soft cloth. If using a commercial glass or mirror cleaner, be sure to select one that does not contain ammonia or vinegar. Do not use Windex.

B. Use the correct cleaning cloth.

Always use soft, grit-free and lint-free cloths to reduce the chance of scratching the mirror surface.

C. Use the correct cleaning method.

Never spray the water or cleaner directly onto the mirror. Instead, apply it directly to the cloth, and then wipe the mirror. Do not allow the edges of the mirror to get or remain wet. Be sure to dry all joints and edges thoroughly to be certain no water or cleaner comes in contact with the edge or back surface of the mirror.