



WARNING:

Risk of electric shock. Before wiring to power supply, turn off electricity at the fuse or circuit breaker box.

CAUTION:

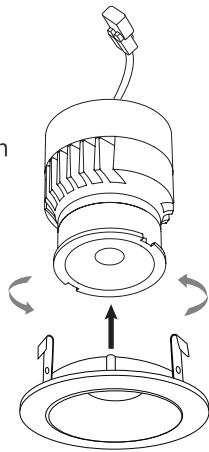
For your safety read and understand instructions completely before starting installation. Installation requires knowledge of luminaires electrical system. If not qualified, DO NOT attempt installation. Contact a qualified electrician if necessary.

NOTE: ELK07, ELK08, ELK09, ELK10, or ELK11 Koto™ LED Modules are best compatible with ELCO Housings and other ELCO fixtures

Koto™ Module to Trims and Recessed Housing Installation Instruction:

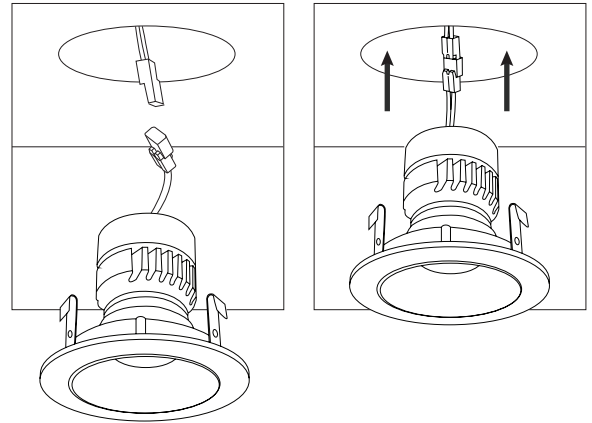
Step 1

Install Koto™ Module and trim using twist-on mechanism.



Step 2

Mate the connector on module with the connector from recessed housing. Follow by inserting module with trim assembly into housing.



Koto™ Module to Sylo™ Applications Installation Instruction:

Step 1

Un-Twist the front ring from Sylo™ fixture (surface mount, monopoint, pendant, or track).

Step 2

Connect Koto™ LED Module to Sylo fixture using quick connect system. Follow by connecting module and fixture ring using twist-on mechanism

Step 3

Twist front ring back to Sylo fixture

