

WAC LIGHTING

Fixture Type: _____

Catalog Number: _____

Project: _____

Location: _____

Branwen

Mini Pendant 3000K

Model & Size	Color Temp & CRI	Finish	Watt	LED Lumens	Delivered Lumens
PD-75209 09"	3000K 90	CH Chrome	8W	800	387

Example: **PD-75209-CH**

For custom requests please contact customs@wacighting.com

FEATURES

- Clear glass shade with frosted top
- Etched acrylic diffuser
- Low profile, adjustable powered aircraft cables for an ultra-clean look
- Spin-on round canopy with minimal hardware
- May be mounted on a sloped ceiling
- Driver concealed within the canopy
- 5 Year warranty

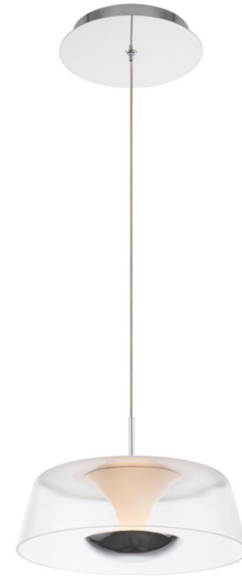
SPECIFICATIONS

Color Temp:	3000K
Input:	120/277 VAC,50/60Hz
CRI:	90
Dimming:	ELV: 100-10% ,TRIAC: 100-10%
Rated Life:	50000 Hours
Standards:	ETL, cETL,Title 24 JA8-2019 Compliant Damp Location Listed
Construction:	Iron body, glass diffuser

REPLACEMENT PARTS

RPL-GLA-75209 - Glass

HDW-HY22-CE - Hardware Pack

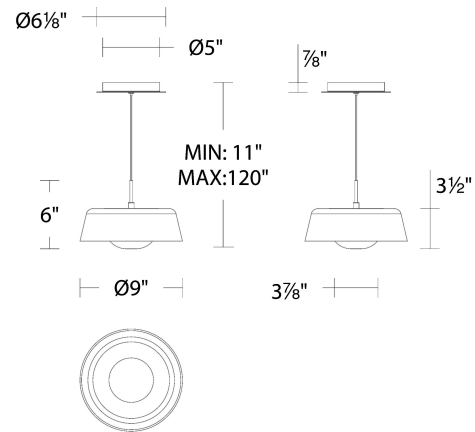


FINISHES:



Chrome

LINE DRAWING:



PD-75209