

INSTALLATION INSTRUCTION

AC-LED LEDme® Light Bars

WAC LIGHTING
Responsible Lighting®

BA-ACLED8, BA-ACLED12, BA-ACLED18, BA-ACLED24, BA-ACLED30, BA-ACLED36, BA-ACLED42

WARNING

IMPORTANT: NEVER attempt any work without shutting off the electricity.

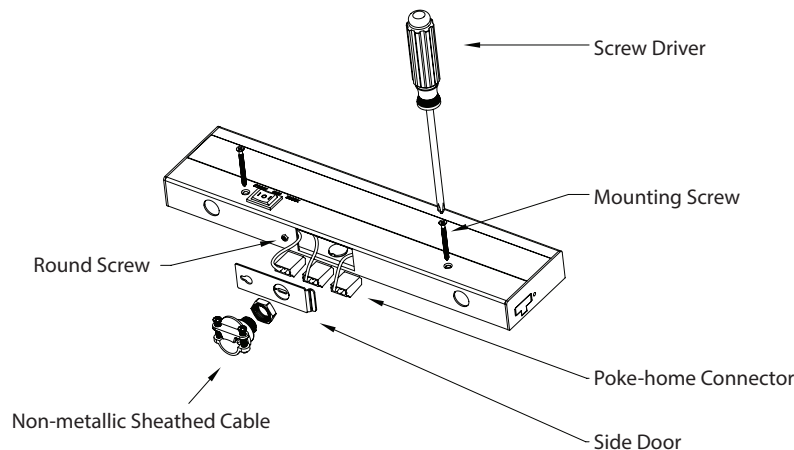
- Read all instructions before installing.
- System is intended for installation by a qualified electrician in accordance with the National Electrical Code and local regulations.
- Go to the main fuse box, or circuit breaker. Place the main power switch in the "OFF" position and unscrew the fuse(s) or switch "OFF" the circuit breaker switch(es) that control the power to the fixture or room that you are working on.
- Place the wall switch in the "OFF" position.

ADVERTISSEMENT

IMPORTANT: Coupez l'électricité avant TOUTE manipulation.

- Lisez toutes les instructions avant d'installer.
- Système est destiné à être installé par un électricien qualifié en conformité avec le code national de l'électricité et les règlements locaux.
- Accédez au panneau central de disjoncteurs ou de fusibles de votre demeure et placez l'interrupteur principal en position d'arrêt (« OFF »).
- Placez l'interrupteur mural en position d'arrêt (« OFF »).

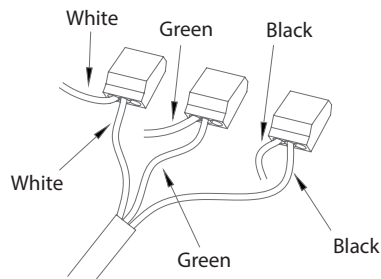
Fig.1 Installation and Wiring
(BA-ACLED12)



WIRING AND INSTALLATION

1. Pry open the knock out hole on the side door to install the input wires.
2. Unscrew round screw and remove the side door from window by sliding it to the side.
3. Install the Non-metallic sheathed cable/BX connector into the side door.
4. Push 120V input wires through the Non-metallic sheathed cable.
5. Strip 3/8" insulation off 120V input wires. Connect input wires to LED light bars using convenient "poke-home" connectors provided with LED light bars. Push 120V input wires firmly into "poke-home" connectors for secure connections.

Fig.2 Input Wire



Connect black input wire to black fixture wire.
Connect white input wire to white fixture wire.
Connect green ground wire (may be bare copper)
to green fixture wire.

6. Tuck wires connections neatly into LED light bar.
7. Install the side door onto fixture and tighten round screw.
8. Take out two mounting screws from the package.
9. Screw the mounting screws through holes on the fixture.
10. Place fixture in appropriate place and tighten mounting screws.

WAC Lighting
www.waclighting.com
Phone (800) 526.2588 • Fax (800) 526.2585

Headquarters/Eastern Distribution Center
44 Harbor Park Drive • Port Washington, NY 11050
Phone (516) 515.5000 • Fax (516) 515.5050

Western Distribution Center
1750 Archibald Ave • Ontario, CA 91761
Phone (800) 526.2588 • Fax (800) 526.2585

INSTALLATION INSTRUCTION

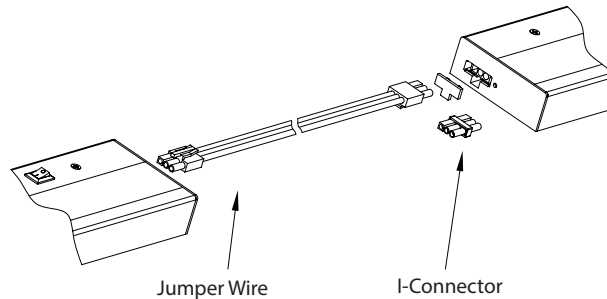
AC-LED LEDme® Light Bars

WAC LIGHTING
Responsible Lighting®

BA-ACLED8, BA-ACLED12, BA-ACLED18, BA-ACLED24, BA-ACLED30, BA-ACLED36, BA-ACLED42

WIRING MULTIPLE UNITS:

In addition to hard wiring multiple fixtures, components are provided to allow fixtures to be linked through surface wiring.

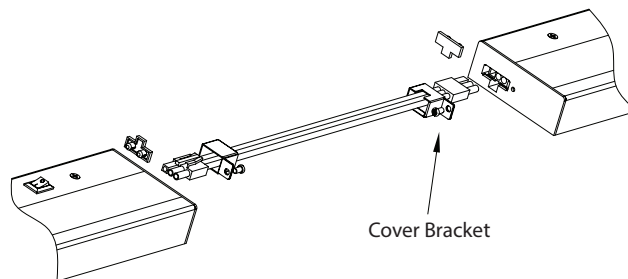


a. End to End Connection with I-Connector (One included with each light bar):

The I-Connector allows two fixtures to be connected end to end. I-Connector has one square and two round pins to ensure the correct orientation.

NOTE: The total number of all connected fixtures should not exceed 6 pieces for BA-I.

1. Pry out the plastic covers concealing the female connection ports at the end of the fixtures.
2. Insert one end of the "I" connector into the first fixture. Slide the second fixture into the first one.
3. Secure the position of the second fixture by using two mounting screws.



b. Connection with interconnect cable (Sold Separately):

A jumper wire allows multiple units to be linked through surface wiring.

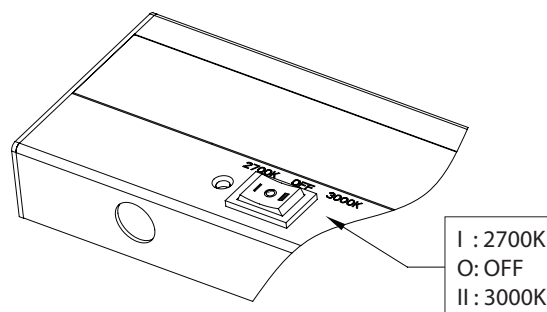
The jumper wire has one square and two round pins to ensure the correct orientation.

NOTE: The total number of all connected fixtures should not exceed 4 pieces for BA-IC12, BA-IC24. 3 pieces for BA-IC36

1. Pry out the plastic covers concealing the female connection ports at the end of the fixtures.
2. Insert the ends of the connectors into each fixture.
3. Jumper wires have metal strain relief cover brackets. Slide the cover bracket over the connector. Position the bracket so that the hole in the bracket aligns with the hole in the fixture. Use the screw supplied to secure the cover bracket to the fixture.
4. Wrap excess wires using wire ties if necessary.

CCT SWITCHING OPTION

Fixture's CCT can be set to 2700K or 3000K by pressing the switch on the fixture as shown:



WAC Lighting
www.waclighting.com
Phone (800) 526.2588 • Fax (800) 526.2585

Headquarters/Eastern Distribution Center
44 Harbor Park Drive • Port Washington, NY 11050
Phone (516) 515.5000 • Fax (516) 515.5050

Western Distribution Center
1750 Archibald Ave • Ontario, CA 91761
Phone (800) 526.2588 • Fax (800) 526.2585