



**DALS  
LIGHTING**

Canada  
80, de la Seigneurie blvd., E.  
Blainville, Quebec J7C 4N1

U.S.A.  
4383, NW 124th Ave.,  
Coral Springs, Florida 33065

877.430.1818  
info@dals.com  
dals.com

**MODEL** GBR06-DW

**NAME** Revolve

6in Gimbal recessed, Dim to warm

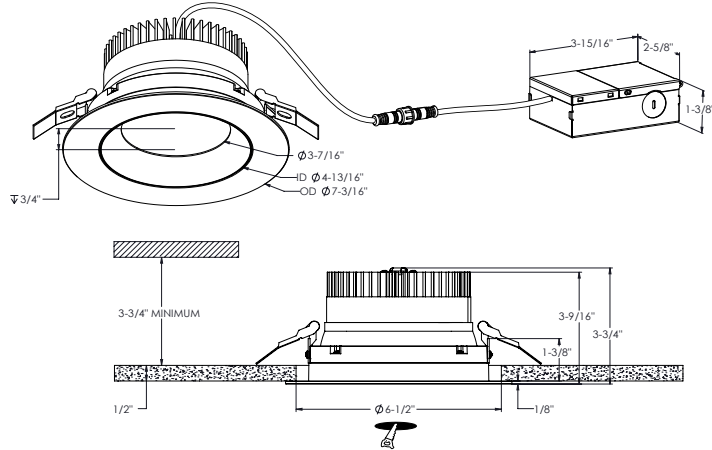
Our Recessed family has grown with a new range of adjustable downlights. The effortless design and high functionality of these fixtures are sure to make a welcome addition in any room.



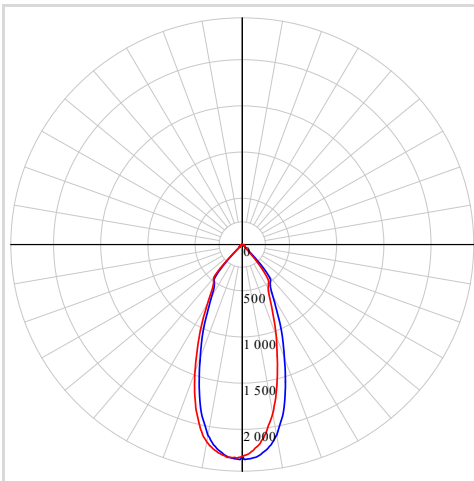
**PROJECT** [ ] **TYPE** [ ]

**DATE** [ ] **QTY** [ ]

**NOTES**



**LIGHT DISTRIBUTION**



\*Lumen output measured at 3000k

**QUICK SPECS**

<b>Size</b>	6"
<b>Watts (W)</b>	20
<b>Delivered lumens*</b>	1540
<b>CRI</b>	90
<b>Voltage (v)</b>	120
<b>Beam angle (deg)</b>	40
<b>Cut hole size (in)</b>	6-1/2"
<b>Lifespan (hrs)</b>	50000
<b>FT rating</b>	FT6
<b>Binning</b>	3 SDCM
<b>LED model</b>	COB
<b>Color temperature</b>	2200-3000k

**ELECTRICAL DETAILS**

<b>Environment</b>	Wet
<b>Location</b>	Indoor/Outdoor
<b>Operating temp. (° C)</b>	-20 to 40
<b>IP rating</b>	IP44
<b>Input voltage (V)</b>	120
<b>Output voltage (V)</b>	32-48VDC
<b>Output current (mA)</b>	470mA
<b>Power factor</b>	97
<b>Driver type</b>	Constant current
<b>THD</b>	<30%
<b>Certifications</b>	ETL, FCC, ICES, ES, JA8
	IC, ASTM E283-04

**ORDERING GUIDE**

GBR06-DW	-	[ ]	-	[ ]
		<i>Voltage</i>		<i>Finish</i>
		<b>BLANK</b> - 120v Triac dimming		<b>WH</b> - White ○
		<b>V</b> - 120-277-347V 0-10v dimming		

**CONSTRUCTION**

<b>Lens material</b>	Plastic
<b>Optic type</b>	Optical lens
<b>Finish type</b>	Matte
<b>Housing material</b>	Aluminum

**WHAT'S IN THE BOX**

LED recessed fixture  
 Junction box  
 3x Push-in wire connectors  
 Mounting hardware  
 Instruction sheet

**ACCESSORIES**

[RFP-46](#)  
 Drilling plate  
  
[RFP-UNI](#)  
 Universal drilling plate

**ADAPTORS**

[REC-3K-EXT8FT](#)  
 96" extension cord for recessed fixtures  
  
[REC-3K-EXT20FT](#)  
 240" extension cord for recessed fixtures

**RECOMMENDED DIMMER LIST\***

BRAND	MODEL	DIMMER SPECS	GRADE	MIN	MAX	MAX LOAD
Dals	SM-DIMSW Smart Dimmer*	Triac, 250W LED/CFL	Compatible	8	99	13
Lutron	DVCL-153PR-WH-C*	Triac, 150 W Dimmable CFL/LED	Compatible	5	99	8
Lutron	CTCL-153PDH-WH-C*	Triac, 150 W Dimmable CFL/LED	Compatible	5	99	8
Lutron	STCL-153PH-WH-C*	Triac, 150 W Dimmable CFL/LED	Compatible	1	100	8
Lutron	MACL-153MRHW-WHC*	Triac, 150 W Dimmable CFL/LED	Compatible	0	98	8
Lutron	DVELV-300P-WH	300W electronic low voltage dimmer	Compatible	6	96	15
Lutron	MA-PRO-WH*	ELV, 250W LED/CFL	Compatible	1	98	13
Lutron	Caseta PD-5NE-WH-C*	ELV, LED—up to 250 W	Compatible	4	98	13
Lutron	Caseta PD-10NXD-WH*	Triac, LED—up to 250 W	Compatible	0	98	13
Leviton	6674*	Triac, 150 W Dimmable CFL/LED	Compatible	8	98	8
Leviton	PL06-10Z*	Triac, 150 W Dimmable CFL/LED	Compatible	7	98	8
Leviton	DSL06-1LZ*	Triac, 150 W Dimmable CFL/LED	Compatible	6	98	8
Leviton	D26HD-742-1RW*	Triac, 300W LED/CFL	Compatible	8	99	15
Legrand	RHCL453PNICCV4*	Triac, 450W Dimmable CFL/LED	Compatible	8	98	23
Legrand	ADTP703TUM4*	Triac, 450W Dimmable CFL/LED	Compatible	9	98	23
Control 4	C4-APD120-WH	ELV, 120W LED	Compatible	2	99	6
TP-Link	HS220*	Triac, 150 W, Dimmable LED (MLV)	Compatible	3	99	8

\*With Low-End Adjustment Feature

Minimal buzzing noise may occur with some dimmers

**WARRANTY**

DALS offers a 5-year warranty from the date of purchase which covers repairs or replacement of defective parts of the housing, optics, and electronics. To contact DALS customer service call 1-877-430-1818 or send an e-mail to [info@dals.com](mailto:info@dals.com).