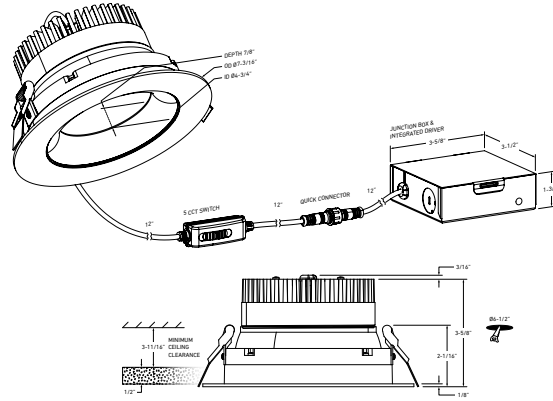


MODEL NAME **GBR06-CC**
REVOLVE
6-Inch Regressed Gimbal Downlight

The effortless design and high functionality of these fixtures are sure to make a welcome addition in any room.



PROJECT:	TYPE:
DATE:	QTY:
NOTES:	

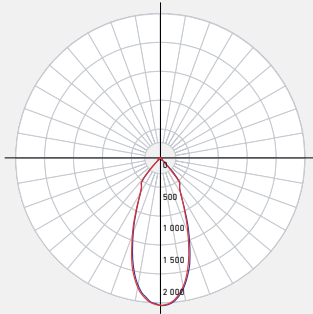


QUICK SPECS

SIZE	WATTS	DELIVERED LUMENS*	COLOR °T 5CCT	CRI	VOLTAGE	BEAM ANGLE	FINISH
6"	20W	1500lm	2700K 3000K 3500K 4000K 5000K	90	120V	40°	<input type="radio"/> White <input checked="" type="radio"/> Black

*Lumen output measured at 3000K

LIGHT DISTRIBUTION



CONSTRUCTION	Lens Clear	Type of optics Optical lens	Type of LED COB
	Lens material Acrylic	Housing material Cast aluminum	Cut hole size 6-1/2"

RATINGS	Placement Indoor/Outdoor	Lifespan 50,000 hrs.	FT rating FT6
	Location Wet	Certifications ETL, FCC, ICES, ES IC, ASTM E283-04, T24	Operating temperature -20° to 40° C

WHAT'S IN THE BOX

- LED recessed fixture
- Junction box
- Push-in wire connectors
- Mounting hardware
- Instruction sheet

ACCESSORIES

- RFP-UNI**
Universal Drilling Plate
- RFP-46**
Drilling Plate

ADAPTERS

- REC-EXT108**
108" extension cord for recessed fixtures
- REC-EXT230**
230" extension cord for recessed fixtures



**ELECTRICAL
DETAILS**

Input voltage
108-135V

Output current
500mA

Power factor
97%

Driver type
Constant current

Output voltage
35V

LED model #
COB

**THD harmonic
distortion**
<30%

Binning type
3 SDCM

FEATURES

Every fixture includes
a junction box with an
integrated driver

Smooth 360° wide
spread

Clear lens

Switch-selectable CCT:
2700K/ 3000 K/ 3500 K/
4000 K/ 5000 K

WARRANTY

DALS offers a 5-year warranty from the date of purchase which covers repairs or replacement of defective parts of the housing, optics, and electronics. To contact DALS customer service call 1-877-430-1818 or send an e-mail to info@dals.com.

RECOMMENDED DIMMER LIST*

BRAND	MODEL #	DIMMER SPECS	GRADE	DIMMING RANGE (%)	MAX LOAD
Dals	SM-DIMSW Smart Dimmer	Triac, 250W LED/CFL	Compatible	Min: 1 / Max: 100	12
Lutron	DVCL-153PR-WH-C	Triac, 150 W Dimmable CFL/LED	Compatible	Min: 0 / Max: 94	7
Lutron	CTCL-153PDH-WH-C	Triac, 150 W Dimmable CFL/LED	Compatible	Min: 0 / Max: 93	7
Lutron	STCL-153PH-WH-C	Triac, 150 W Dimmable CFL/LED	Compatible	Min: 0 / Max: 91	7
Lutron	DVWCL-153PH-WHC	Triac, 150 W Dimmable CFL/LED	Compatible	Min: 0 / Max: 92	7
Lutron	MACL-153MRHW-WHC	Triac, 150 W Dimmable CFL/LED	Compatible	Min: 0 / Max: 92	7
Lutron	DVELV-300P-WH	300W electronic low voltage dimmer	Compatible	Min: 1 / Max: 62	15
Lutron	MA-PRO-WH	ELV, 250W LED/CFL	Compatible	Min: 1 / Max: 77	12
Lutron	Caseta PD-6WCL-WH-R-C	Triac, 300W Dimmable CFL/LED	Compatible	Min: 0 / Max: 90	15
Lutron	Caseta PD-5NE-WH-C	ELV, LED—up to 250 W	Compatible	Min: 1 / Max: 75	12
Lutron	Caseta PD-10NXD-WH	Triac, LED—up to 250 W	Compatible	Min: 0 / Max: 92	12
Leviton	6672-1LW	Triac, 150W Dimmable CFL/LED	Compatible	Min: 13 / Max: 95	7
Leviton	DSM10	Triac, 450W Dimmable CFL/LED	Compatible	Min: 9 / Max: 95	22
Leviton	6674	Triac, 150 W Dimmable CFL/LED	Compatible	Min: 1 / Max: 98	7
Leviton	IPL06-10Z	Triac, 150 W Dimmable CFL/LED	Compatible	Min: 4 / Max: 96	7
Leviton	DSL06-752	Triac, 150 W Dimmable CFL/LED	Compatible	Min: 4 / Max: 96	7
Leviton	D26HD-742-1RW	Triac, 300W LED/CFL	Compatible	Min: 3 / Max: 100	15
Legrand	RHCL453PNICCV4	Triac, 450W Dimmable CFL/LED	Compatible	Min: 3 / Max: 95	22
Legrand	ADTP703TUM4	Triac, 450W Dimmable CFL/LED	Compatible	Min: 3 / Max: 70	22
Legrand	ADPD453LM2	Triac, 450W Dimmable CFL/LED	Compatible	Min: 14 / Max: 96	22
Legrand	RHL373PW	Triac, 250W LED	Compatible	Min: 2 / Max: 93	12
Control 4	C4-APD120-WH	ELV, 120W LED	Compatible	Min: 0 / Max: 100	6
Control 4	C4-FPD120-WH	Triac, 200W LED	Compatible	Min: 0 / Max: 100	10

* Minimal buzzing noise may occur with some dimmers