

**MODEL NAME** **FGM4-3K**  
**PIVOT**  
**4-Inch Flat Gimbal Recessed**

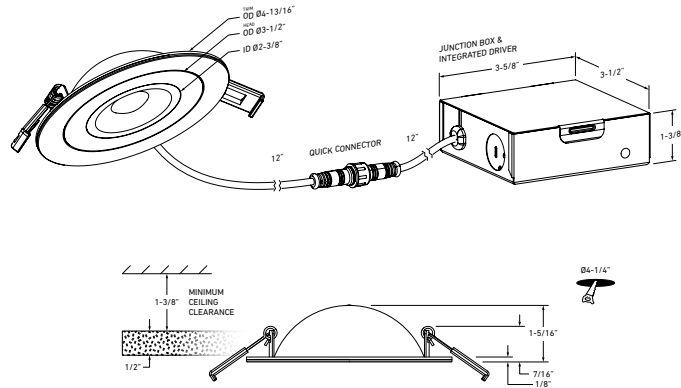
With powerful lumen output and the ability to direct light with a 360° rotation and a 90° tilt angle, this product will meet your every need.



**PROJECT:** \_\_\_\_\_ **TYPE:** \_\_\_\_\_

**DATE:** \_\_\_\_\_ **QTY:** \_\_\_\_\_

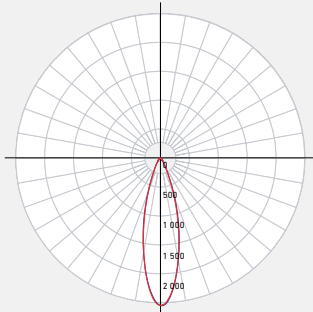
**NOTES:**



**QUICK SPECS**

| SIZE | WATTS | DELIVERED LUMENS* | COLOR °T | CRI | VOLTAGE | BEAM ANGLE | FINISH   |
|------|-------|-------------------|----------|-----|---------|------------|--|
| 4"   | 9W    | 700lm             | 3000K    | 90  | 120V    | 40°        | <input type="radio"/> White<br><input type="radio"/> Satin Nickel<br><input type="radio"/> Black |

**LIGHT DISTRIBUTION**



|                     |                                 |  |                                |
|---------------------|---------------------------------|--|--------------------------------|
| <b>CONSTRUCTION</b> | <b>Lens</b><br>Clear            | <b>Type of optics</b><br>Optical lens    | <b>Type of LED</b><br>COB      |
|                     | <b>Lens material</b><br>Acrylic | <b>Housing material</b><br>Cast aluminum | <b>Cut hole size</b><br>4-1/4" |

|                |                            |  |   |
|----------------|----------------------------|--|---|
| <b>RATINGS</b> | <b>Placement</b><br>Indoor | <b>Lifespan</b><br>50,000 hrs.                                       | <b>FT rating</b><br>FT6                       |
|                | <b>Location</b><br>Damp    | <b>Certifications</b><br>ETL, FCC, ICES, ES<br>IC, ASTM E283-04, T24 | <b>Operating temperature</b><br>-20° to 40° C |

**WHAT'S IN THE BOX**

- LED recessed fixture
- Junction box
- Push-in wire connectors
- Mounting hardware
- Instruction sheet

**ACCESSORIES**

- RFP-UNI**  
Universal Drilling Plate
- RFP-46**  
Drilling Plate

**ADAPTERS**

- REC-EXT108**  
108" extension cord for recessed fixtures
- REC-EXT230**  
230" extension cord for recessed fixtures



**ELECTRICAL  
DETAILS**

**Input voltage**  
108-135V

**Output current**  
380mA

**Power factor**  
97%

**Driver type**  
Constant current

**Output voltage**  
18-24V

**LED model #**  
COB

**THD harmonic  
distortion**  
<30%

**Binning type**  
3 SDCM

**FEATURES**

Every fixture includes a junction box with an integrated driver

Superior LED performance and lifespan

Minimal heat emission

Clear lens

Can be daisy chained

Smooth 360° wide spread

Low profile

**WARRANTY**

DALS offers a 5-year warranty from the date of purchase which covers repairs or replacement of defective parts of the housing, optics, and electronics. To contact DALS customer service call 1-877-430-1818 or send an e-mail to [info@dals.com](mailto:info@dals.com).

**RECOMMENDED DIMMER LIST\***

| BRAND     | MODEL #               | DIMMER SPECS                       | GRADE      | DIMMING RANGE (%)  | MAX LOAD |
|-----------|-----------------------|------------------------------------|------------|--------------------|----------|
| Dals      | SM-DIMSW Smart Dimmer | Triac, 250W LED/CFL                | Compatible | Min: 7 / Max: 100  | 27       |
| Lutron    | DVCL-153PR-WH-C       | Triac, 150 W Dimmable CFL/LED      | Compatible | Min: 7 / Max: 100  | 16       |
| Lutron    | CTCL-153PDH-WH-C      | Triac, 150 W Dimmable CFL/LED      | Compatible | Min: 6 / Max: 100  | 16       |
| Lutron    | STCL-153PH-WH-C       | Triac, 150 W Dimmable CFL/LED      | Compatible | Min: 3 / Max: 100  | 16       |
| Lutron    | DVWCL-153PH-WHC       | Triac, 150 W Dimmable CFL/LED      | Compatible | Min: 6 / Max: 100  | 16       |
| Lutron    | MACL-153MRHW-WHC      | Triac, 150 W Dimmable CFL/LED      | Compatible | Min: 1 / Max: 100  | 16       |
| Lutron    | DVELV-300P-WH         | 300W electronic low voltage dimmer | Compatible | Min: 10 / Max: 99  | 33       |
| Lutron    | MA-PRO-WH             | ELV, 250W LED/CFL                  | Compatible | Min: 3 / Max: 100  | 27       |
| Lutron    | Caseta PD-6WCL-WH-R-C | Triac, 300W Dimmable CFL/LED       | Compatible | Min: 3 / Max: 100  | 33       |
| Lutron    | Caseta PD-5NE-WH-C    | ELV, LED—up to 250 W               | Compatible | Min: 5 / Max: 100  | 27       |
| Lutron    | Caseta PD-10NXD-WH    | Triac, LED—up to 250 W             | Compatible | Min: 2 / Max: 100  | 27       |
| Leviton   | 6672-1LW              | Triac, 150W Dimmable CFL/LED       | Compatible | Min: 24 / Max: 100 | 16       |
| Leviton   | DSM10                 | Triac, 450W Dimmable CFL/LED       | Compatible | Min: 19 / Max: 100 | 50       |
| Leviton   | 6674                  | Triac, 150 W Dimmable CFL/LED      | Compatible | Min: 9 / Max: 100  | 16       |
| Leviton   | IPL06-10Z             | Triac, 150 W Dimmable CFL/LED      | Compatible | Min: 14 / Max: 100 | 16       |
| Leviton   | DSL06-752             | Triac, 150 W Dimmable CFL/LED      | Compatible | Min: 14 / Max: 100 | 16       |
| Leviton   | D26HD-742-1RW         | Triac, 300W LED/CFL                | Compatible | Min: 10 / Max: 100 | 33       |
| Legrand   | RHCL453PNICCV4        | Triac, 450W Dimmable CFL/LED       | Compatible | Min: 11 / Max: 100 | 50       |
| Legrand   | ADTP703TUM4           | Triac,450W Dimmable CFL/LED        | Compatible | Min: 11 / Max: 95  | 50       |
| Legrand   | ADPD453LM2            | Triac,450W Dimmable CFL/LED        | Compatible | Min: 33 / Max: 100 | 50       |
| Legrand   | RHL373PW              | Triac, 250W LED                    | Compatible | Min: 8 / Max: 100  | 27       |
| Control 4 | C4-APD120-WH          | ELV, 120W LED                      | Compatible | Min: 1 / Max: 100  | 13       |
| Control 4 | C4-FPD120-WH          | Triac, 200W LED                    | Compatible | Min: 1 / Max: 100  | 22       |

\* Minimal buzzing noise may occur with some dimmers