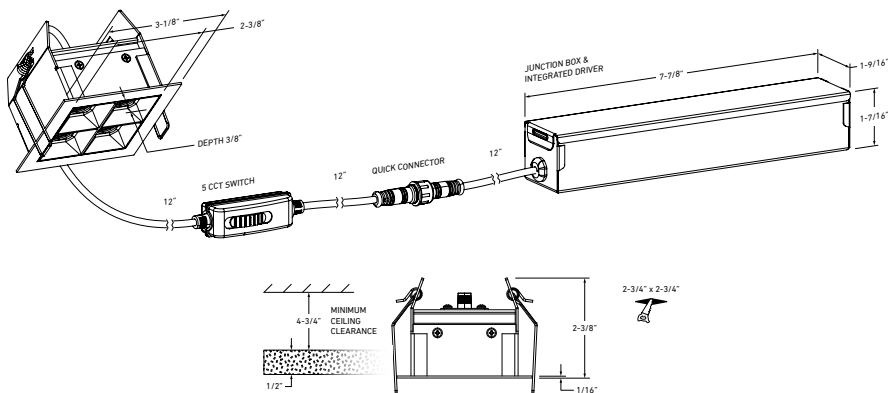


**MODEL NAME** **MSL4-CC**  
**PINPOINT SERIES**  
**Multi-Spot Recessed Downlight**

Providing a contemporary and functional style to any space, the Pinpoint series is available in various styles and features. Framed by a powder-coated finish, these high-output fixtures provide a crisp, low-glare emission.

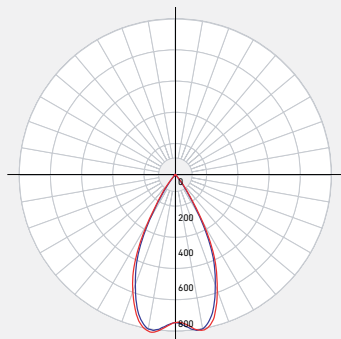


<b>PROJECT:</b>	<b>TYPE:</b>
<b>DATE:</b>	<b>QTY:</b>
<b>NOTES:</b>	


**QUICK SPECS**

SIZE	WATTS	DELIVERED LUMENS*	COLOR °T 5CCT	CRI	VOLTAGE	BEAM ANGLE	FINISH
3"	12W	600lm	2700K 3000K 3500K 4000K 5000K	90	120V	30°	○ White ● Black

\*Lumen output measured at 3000K

**LIGHT DISTRIBUTION**


<b>CONSTRUCTION</b>	<b>Lens</b> Clear	<b>Type of optics</b> Optical lens	<b>Type of LED</b> SMD
	<b>Lens material</b> PC	<b>Housing material</b> Cast aluminum	<b>Cut hole size</b> 2-3/4" x 2-3/4"

<b>RATINGS</b>	<b>Placement</b> Indoor	<b>Lifespan</b> 50,000 hrs.	<b>FT rating</b> FT6
	<b>Location</b> Dry	<b>Certifications</b> ETL, FCC, ICES	<b>Operating temperature</b> -20° to 40° C

**WHAT'S IN THE BOX**

- LED recessed fixture
- Junction box
- Push-in wire connectors
- Mounting hardware
- Instruction sheet

**ACCESSORIES**

- [RFP-MSL4](#)  
Drilling Plate

**ADAPTERS**

- [REC-EXT108](#)  
108" extension cord for recessed fixtures
- [REC-EXT230](#)  
230" extension cord for recessed fixtures



<b>ELECTRICAL DETAILS</b>	<b>Input voltage</b> 108-135V	<b>Output current</b> 398mA	<b>Power factor</b> 99%	<b>Driver type</b> Constant current
	<b>Output voltage</b> 23.1V	<b>LED model #</b> 3535	<b>THD harmonic distortion</b> <30%	<b>Binning type</b> 3 SDCM

<b>FEATURES</b>	Every fixture includes a junction box with an integrated driver	Superior LED performance and lifespan	Minimal heat emission Clear lens	Switch-selectable CCT: 2700K/ 3000 K/ 3500 K/ 4000 K/ 5000 K
	Can be daisy chained	Regressed light source		

<b>WARRANTY</b>	DALS offers a 5-year warranty from the date of purchase which covers repairs or replacement of defective parts of the housing, optics, and electronics. To contact DALS customer service call 1-877-430-1818 or send an e-mail to <a href="mailto:info@dals.com">info@dals.com</a> .
-----------------	--

**RECOMMENDED DIMMER LIST\***

BRAND	MODEL #	DIMMER SPECS	GRADE	DIMMING RANGE (%)	MAX LOAD
Dals	SM-DIMSW Smart Dimmer	Triac, 250W LED/CFL	Compatible	Min: 12 / Max: 99	21
Lutron	DVCL-153PR-WH-C	Triac, 150 W Dimmable CFL/LED	Compatible	Min: 11 / Max: 100	12
Lutron	CTCL-153PDH-WH-C	Triac, 150 W Dimmable CFL/LED	Compatible	Min: 11 / Max: 100	12
Lutron	STCL-153PH-WH-C	Triac, 150 W Dimmable CFL/LED	Compatible	Min: 3 / Max: 99	12
Lutron	DVWCL-153PH-WHC	Triac, 150 W Dimmable CFL/LED	Compatible	Min: 11 / Max: 100	12
Lutron	MACL-153MRHW-WHC	Triac, 150 W Dimmable CFL/LED	Compatible	Min: 2 / Max: 100	12
Lutron	DVELV-300P-WH	300W electronic low voltage dimmer	Compatible	Min: 13 / Max: 100	25
Lutron	MA-PRO-WH	ELV, 250W LED/CFL	Compatible	Min: 3 / Max: 100	21
Lutron	Caseta PD-6WCL-WH-R-C	Triac, 300W Dimmable CFL/LED	Compatible	Min: 4 / Max: 97	25
Lutron	Caseta PD-5NE-WH-C	ELV, LED—up to 250 W	Compatible	Min: 6 / Max: 98	21
Lutron	Caseta PD-10NXD-WH	Triac, LED—up to 250 W	Compatible	Min: 2 / Max: 98	21
Leviton	6672-1LW	Triac, 150W Dimmable CFL/LED	Compatible	Min: 34 / Max: 99	12
Leviton	DSM10	Triac, 450W Dimmable CFL/LED	Compatible	Min: 30 / Max: 99	38
Leviton	6674	Triac, 150 W Dimmable CFL/LED	Compatible	Min: 15 / Max: 98	12
Leviton	IPL06-10Z	Triac, 150 W Dimmable CFL/LED	Compatible	Min: 22 / Max: 98	12
Leviton	DSL06-752	Triac, 150 W Dimmable CFL/LED	Compatible	Min: 22 / Max: 98	12
Leviton	D26HD-742-1RW	Triac, 300W LED/CFL	Compatible	Min: 19 / Max: 99	25
Legrand	RHCL453PNICCV4	Triac, 450W Dimmable CFL/LED	Compatible	Min: 18 / Max: 99	38
Legrand	ADTP703TUM4	Triac, 450W Dimmable CFL/LED	Compatible	Min: 30 / Max: 99	38
Legrand	ADPD453LM2	Triac, 450W Dimmable CFL/LED	Compatible	Min: 43 / Max: 98	38
Legrand	RHL373PW	Triac, 250W LED	Compatible	Min: 15 / Max: 98	21
Control 4	C4-APD120-WH	ELV, 120W LED	Compatible	Min: 0 / Max: 99	10
Control 4	C4-FPD120-WH	Triac, 200W LED	Compatible	Min: 0 / Max: 99	17

\* Minimal buzzing noise may occur with some dimmers