

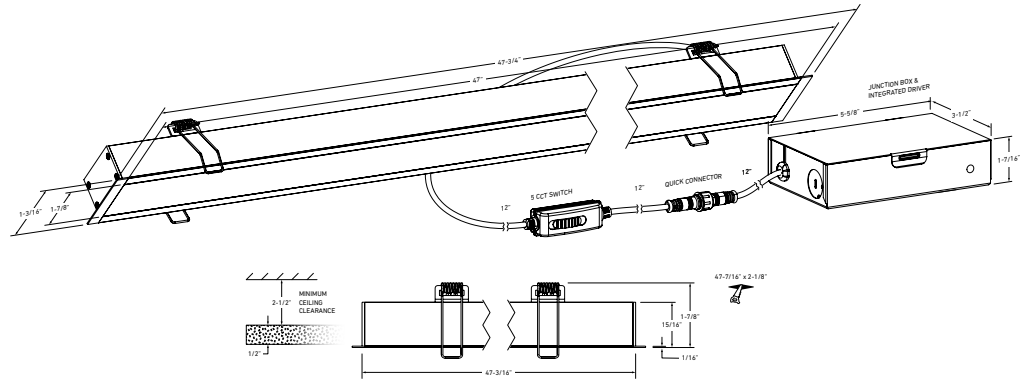
MODEL NAME **LNR48-CC-V
BOULEVARD**

48" Architectural Recessed Light

The Boulevard series, an architectural recessed lighting channel that can be installed in a wide range of commercial and residential environments. Add depth to ceiling planes with a visible separation, or seamlessly daisy-chained to create dramatic effects.



PROJECT:	TYPE:
DATE:	QTY:
NOTES:	

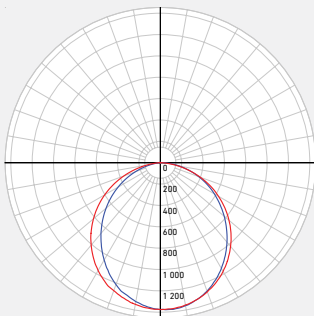


QUICK SPECS

SIZE	WATTS	DELIVERED LUMENS*	COLOR °T 5CCT	CRI	VOLTAGE	BEAM ANGLE	FINISH
48"	40W	3760lm	2700K	90	120V	108°	○ White
			3000K		277V		
			3500K		347V		
			4000K				
			5000K				

*Lumen output measured at 3000K

LIGHT DISTRIBUTION



CONSTRUCTION	Lens Frosted	Type of optics Flat lens	Type of LED SMD
	Lens material PC	Housing material Aluminum extrusion	Cut hole size 47-7/16" x 2-1/8"

RATINGS	Placement* Indoor/Outdoor	Lifespan 50,000 hrs.	FT rating FT6
	Location* Wet	Certifications ETL, FCC, ICES, ES, IC, ASTM E283-04, T20 T24	Operating temperature -20° to 40° C

*Covered ceiling mount only.

WHAT'S IN THE BOX

- LED recessed fixture
- Junction box
- Push-in wire connectors
- Mounting hardware
- Instruction sheet

ACCESSORIES

- [RFP-LNR48](#)
Drilling Plate
- [LNACC-L16FT](#)
16-foot lens for Boulevard series pendants and recessed linears

ADAPTERS

- [REC-EXT108](#)
108" extension cord for recessed fixtures
- [REC-EXT230](#)
230" extension cord for recessed fixtures



**ELECTRICAL
DETAILS**

Input voltage
120-347V

Output current
960mA

Power factor
90%

Driver type
Constant current

Output voltage
40-44V

LED model #
2835

**THD harmonic
distortion**
<30%

Binning type
3 SDCM

FEATURES

Every fixture includes a junction box with an integrated driver

Superior LED performance and lifespan

Frosted lens
Back-lit technology

Switch-selectable CCT:
2700K/ 3000 K/ 3500 K/
4000 K/ 5000 K

Can be daisy chained

Minimal heat emission

0-10V dimming

WARRANTY

DALS offers a 5-year warranty from the date of purchase which covers repairs or replacement of defective parts of the housing, optics, and electronics. To contact DALS customer service call 1-877-430-1818 or send an e-mail to info@dals.com.

RECOMMENDED DIMMER LIST*

BRAND	MODEL #	DIMMER SPECS	GRADE	DIMMING RANGE (%)		MAX LOAD
				MIN	MAX	
Lutron	DVSTV (0-10 V Controls)	960W, Operating Voltage:120-277 V~, Load Switching Capacity: 8 A	Compatible	6	91	24

* Minimal buzzing noise may occur with some dimmers