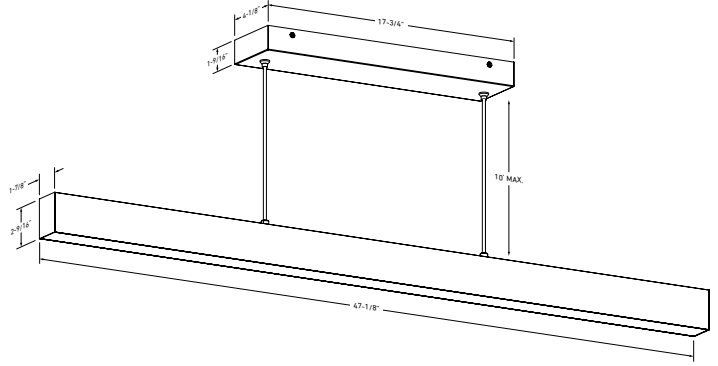


**MODEL NAME** **LNPD48-CC**  
**BOULEVARD PENDANT**  
48" linear pendant

The Boulevard series, a linear light fixture perfect for general office, home, and shop illumination. Can be interconnected to produce striking visual effects.



**PROJECT:** \_\_\_\_\_ **TYPE:** \_\_\_\_\_

**DATE:** \_\_\_\_\_ **QTY:** \_\_\_\_\_

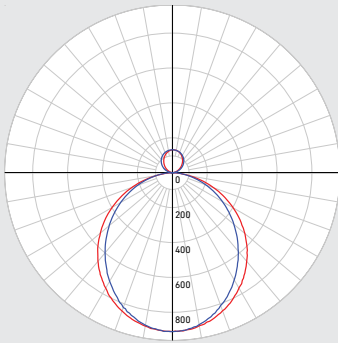
**NOTES:**

**QUICK SPECS**

SIZE	WATTS	DELIVERED LUMENS*	COLOR °T 5CCT	CRI	VOLTAGE	BEAM ANGLE	LIGHT DIRECTION	FINISH
48"	40W	Total: 2805lm Up: 337lm Down: 2468lm	2700K 3000K 3500K 4000K 5000K	93.5	120V	105°	Up/down: 12% Up 88% Down	● Black

\*Lumen output measured at 3000K

**LIGHT DISTRIBUTION**



**CONSTRUCTION**

<b>Lens</b> Frosted	<b>Finish type</b> Powder coated	<b>Type of LED</b> SMD
<b>Lens material</b> PC	<b>Housing material</b> Aluminium extrusion	<b>Mounting</b> Octo Jbox

**RATINGS**

<b>Placement</b> Indoor	<b>Lifespan</b> 50,000 hrs.	<b>IP rating</b> IP20
<b>Location</b> Dry	<b>Certifications</b> ES, ETL, FCC, ICES, T20, T24	<b>Operating temperature</b> -20° to 40° C

**WHAT'S IN THE BOX**

- LED linear pendant
- Mounting bracket
- Mounting hardware
- Wire nuts
- Instruction sheet

**ACCESSORIES**

**LNACC-L16FT**  
16-foot lens for Boulevard series pendants and recessed linears

**ADAPTERS**

-



**ELECTRICAL  
DETAILS**

**Input voltage**  
120V

**Output current**  
1000mA

**Power factor**  
98.7%

**Driver type**  
Constant current

**Output voltage**  
30-42V

**LED model #**  
2835

**THD harmonic  
distortion**  
<30%

**Binning type**  
3 SDCM

**FEATURES**

Integrated dimmable driver

Minimal heat emission  
Back-lit technology

Adjustable height up to 10 feet

Multiple fixtures can be connected together

Superior LED performance and lifespan

Unique up/down light output

Switch-selectable CCT:  
2700K/ 3000 K/ 3500 K/  
4000 K/ 5000 K

**WARRANTY**

DALS offers a 5-year warranty from the date of purchase which covers repairs or replacement of defective parts of the housing, optics, and electronics. To contact DALS customer service call 1-877-430-1818 or send an e-mail to [info@dals.com](mailto:info@dals.com).

**RECOMMENDED DIMMER LIST\***

BRAND	MODEL #	DIMMER SPECS	GRADE	DIMMING RANGE (%)		MAX LOAD
				MIN	MAX	
Lutron	DVELV-300P-WH	300W electronic low voltage dimmer	Compatible	4	90	7
Lutron	MA-PRO-WH	ELV, 250W LED/CFL	Compatible	1	100	6
Lutron	Caseta PD-5NE-WH-C	ELV, LED—up to 250 W	Compatible	1	100	6
Control 4	C4-APD120-WH	ELV, 120W LED	Compatible	0	100	3

\* Minimal buzzing noise may occur with some dimmers