

# INSTALLATION INSTRUCTIONS

Item#P128 (New. 03/01/2012)

**READ AND SAVE THESE INSTRUCTIONS**

**WARNING! SHUT POWER OFF AT FUSE OR CIRCUIT BREAKER.**

**AVERTISSEMENT! COUPER LE COURANT AU NIVEAU DES FUSIBLES OU DU DISJONCTEUR.**

## HANGING THE FIXTURE (Fig. 1)

1. Carefully remove the fixture from the carton and check that all parts are included as shown in the illustration.
2. Shut off power at the circuit breaker and remove the old fixture including the mounting hardware.
3. Determine the hanging height desired and connect down rods (J & K) to fixture body (L), then secure the nipple (I) to the top of the down rods (J).
4. Next place canopy (H), metal washer (N), lock washer (C) and washer (D) over the top of nipple (I). Fasten with hex nut (E) by using the wrench (F) provided.
5. Attach the mounting plate (A) to the outlet box with mounting screws (B) (Size: #8-32N\*L0.5"). The side of the mounting plate (A) marked "GND" must face out.

## CONNECTING THE WIRES (Fig. 2)

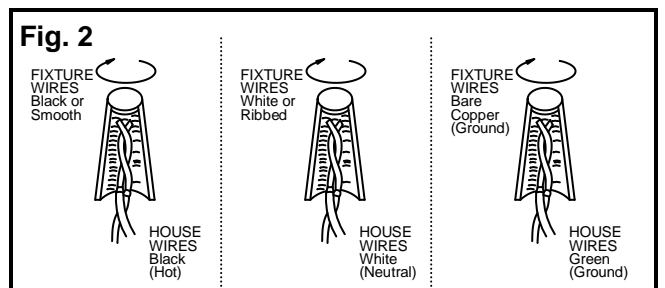
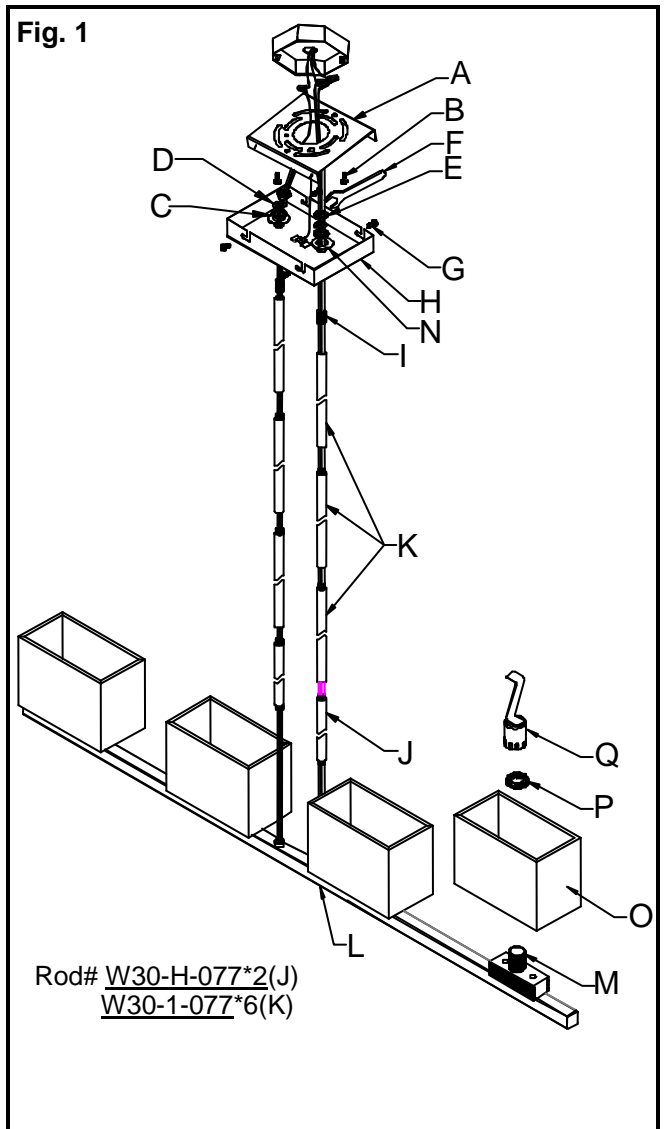
6. At this point, connect the electrical wire as shown in (Fig.2), making sure that all wire connectors are secured. If your outlet box has a ground wire (green or bare copper), connect the fixture's ground wire to it. Otherwise, connect the fixture ground wire directly to the mounting plate using the green screw provided.

## COMPLETING THE INSTALLATION (Fig.1)

7. Place the canopy (H) over the mounting plate (A) and secure with screws (G).
8. Place the glass shade (O) over the socket (M) and secure them with screw shell (P) by using the tool (N) provided.
9. Install the G9 4\*75W (CAND BASE) light bulbs (included) in accordance with the fixture's specifications. **(DO NOT EXCEED THE MAXIMUM WATTAGE RATING!) (NE PAS DEPASSER LA PUISSANCE NOMINALE MAXIMALE!)**

Your installation is now complete. Return power to the junction box and test the fixture.

**Note: Illustration (Fig. 1) on this manual is for installation purposes only. It may or may not be identical to the fixture purchased.**



**IMPORTANT: FIXTURE SHOULD BE INSTALLED BY A QUALIFIED ELECTRICIAN TO ENSURE PROPER WIRING AND INSTALLATION.**

