

SASHA PENDANT

A showstopper which has the same 'quiet luxury' characterised by CTO designs. Developed exclusively by our artisans where crystal like crushed glass is combined with refined metalwork.

FINISH

satin brass with handmade glass
CTO-01-215-0001

dark bronze with handmade glass
CTO-01-215-0002

SUSPENSION

drop rod with ceiling box

please specify the required overall drop from the ceiling to the bottom of the fitting (see overleaf)

BULBS

240v - 3 x G9, 40w max halogen (or 4.2w LED 2700k)
120v - 3 x G9, 40w max halogen (or 4.2w LED 2700k)
(no bulbs supplied)

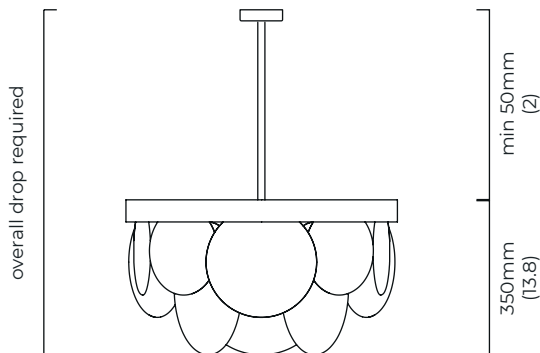
WEIGHT

20kg (44.1lbs)
additional support around junction box required for installation

CERTIFICATION

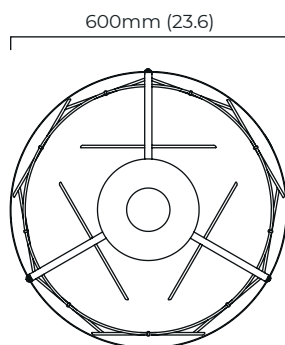
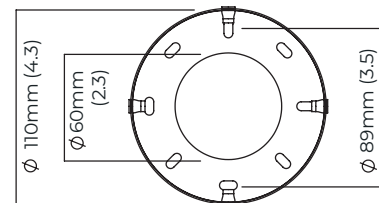


E492308



mounting plate dimensions

240V



120V

