

## MODULO VERTICAL PENDANT

Installation Guide



Please handle with care and wear gloves at all times during assembly and installation to avoid damaging components.

## TECHNICAL

**Bulb Holder**  
Integrated LED

**Wattage**  
27W  
(LED 2700k)

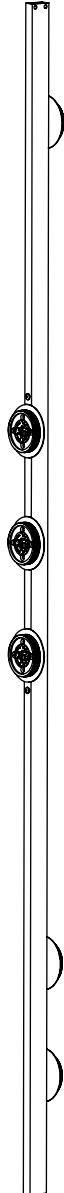
**Weight**  
10kg (22lbs)

## PARTS & COMPONENTS

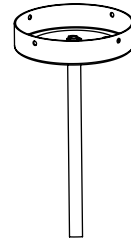
- A. 1 x Modulo Vertical body
- B. 1 x Ceiling rose and drop rod
- C. 1 x Mounting plate
- D. 6 x Glass domes

- E. 3 x Back glass
  - 1 x Round glass
  - 1 x Twin glass
  - 1 x Triple glass

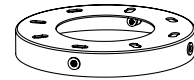
A.



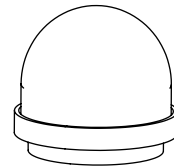
B.



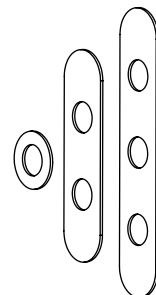
C.



D.



E.

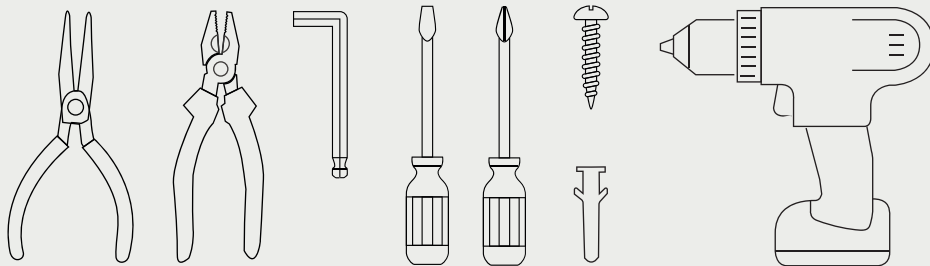




## BEFORE INSTALLATION

- Check that you have all components before starting the installation.
  - Installation must be carried out by a qualified electrician.
  - A minimum of two people is required to install a pendant light.
- Check that the ceiling or wall fixings are suitable and strong enough to support the weight of the light fixture.
  - You will need the below specific tools for a successful installation..

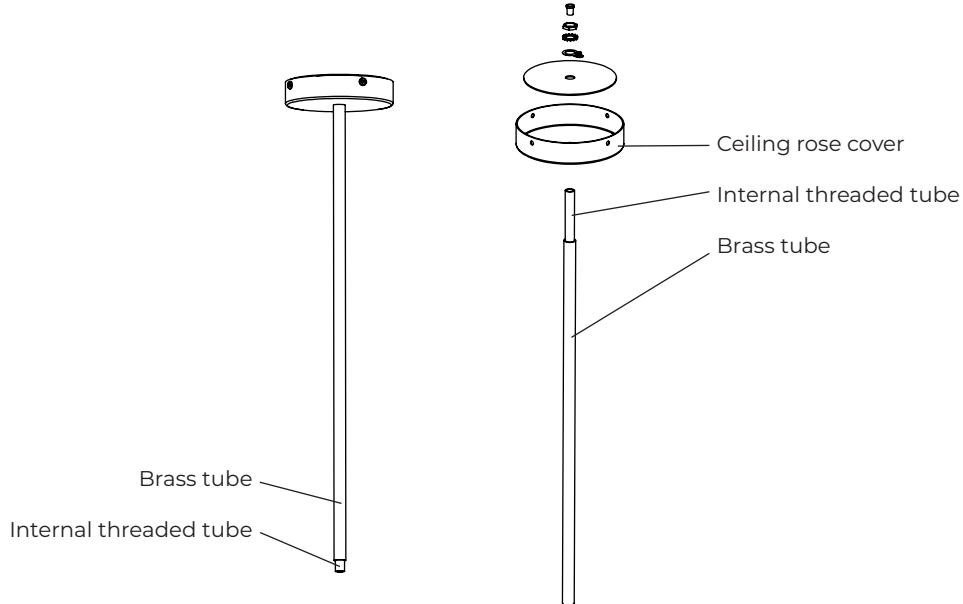
If height adjustment on site is required please see height adjustment instructions on page 4, before you start assembling the pendant.



## HEIGHT ADJUSTMENT INSTRUCTIONS

Before attaching the drop rod to the body of the light, calculate the required total drop from ceiling to bottom of pendant. If any height adjustment is required, follow the steps below:

1. Separate the brass tube and the internal threaded tube from the ceiling rose cover by unscrewing the bolt.

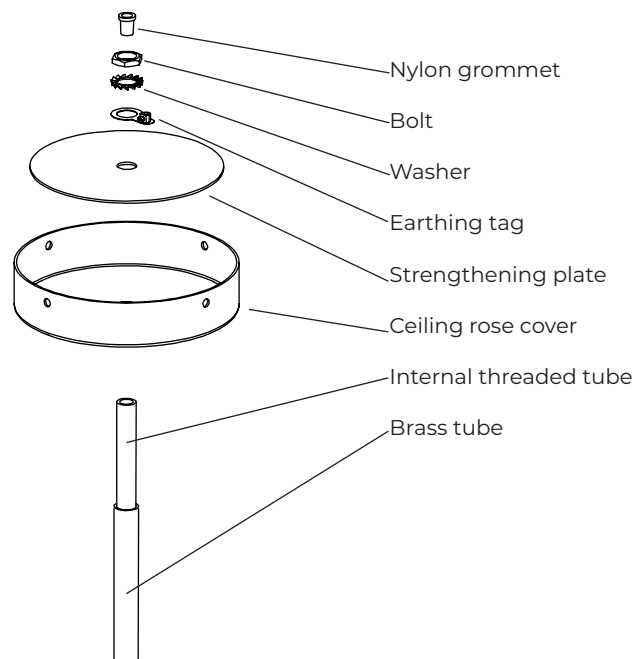


2. Measure the length the drop rod needs to be.
3. Cut the brass tube to this length using a hacksaw or similar tool.
4. Cut the same length from the internal threaded tube.

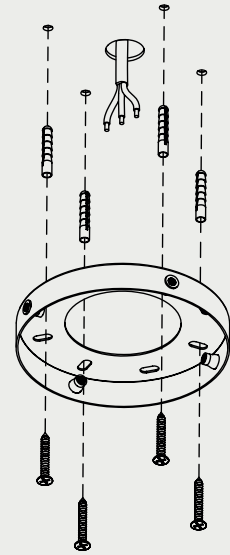
NOTE: Internal threaded tube must always be longer than the brass tube.

5. Once the brass tube and internal threaded tube are cut to correct lengths, slide the brass tube over the internal threaded tube and attach them back to the ceiling rose cover by using components provided.

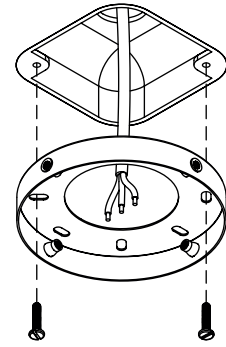
6. Once satisfied with the fit, secure bolts and all-thread with Loc-tite or similar adhesive.



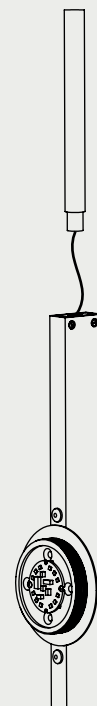
1. Fix the mounting plate to the ceiling. Ensure that suitable screws are being used for the surface that you are mounting to (not supplied).



1. 120v  
US Fix the mounting plate to the junction box using suitable screws (not supplied).



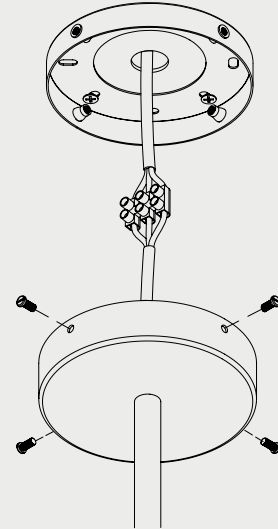
2. Feed the power cable through the drop rod and ceiling rose. Screw the internal threaded tube into the Modulo vertical body.



- 3.** Raise the pendant and make the electrical connections ensuring all wires are colour matched and the pendant is earthed correctly.

Bring the ceiling rose up to the mounted plate and secure using provided screws.

Note: Ensure that the weight of the pendant is fully supported during the electrical installation.

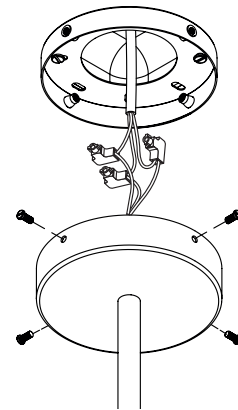


- 4.**  
**US** 120V

Raise the pendant and make the electrical connections inside the junction box ensuring all wires are colour matched and the pendant is earthed correctly.

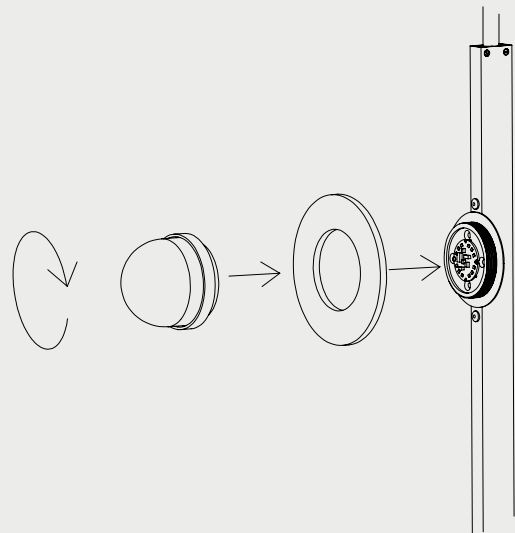
Bring the ceiling rose up to the mounted plate and secure using provided screws.

Note: Ensure that the weight of the pendant is fully supported during the electrical installation.



- 6.** Fit the back glass onto the body by screwing on the dome glass.

Note: the glossy side of the oval glass to be facing outwards



## MAINTENANCE

### Cleaning

Dust using a dry lint-free cloth weekly or as required

### Repairs

Contact  
CTO Lighting

### Warranty

Please visit  
[www.ctolighting.co.uk/pages/f-a-q](http://www.ctolighting.co.uk/pages/f-a-q)  
for CTO warranty policy

### Certification

