

## MODULO GRID PENDANT

Designed by Federico Peri for CTO Lighting, MODULO is a collection of chandelier, pendant and wall lights distinguished by its modular form, arranged in linear configurations, creating versatile lighting sculptures.

### FINISH

satin brass with smoked kiln cast glass and matt opal glass shades  
MODCH11SBSKMO

bronze with smoked kiln cast glass and matt opal glass shades  
MODCH11BZSKMO

### SUSPENSION

drop rod with ceiling box

please specify the required overall drop from the ceiling to the bottom of the fitting

### BULBS

integrated LED - trailing edge dimmable - 49.5w - 2700k

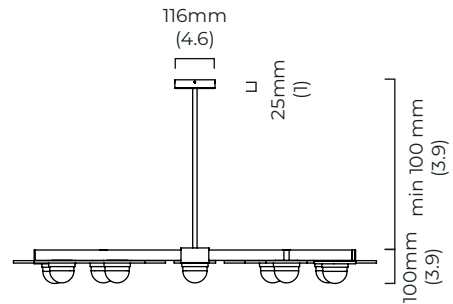
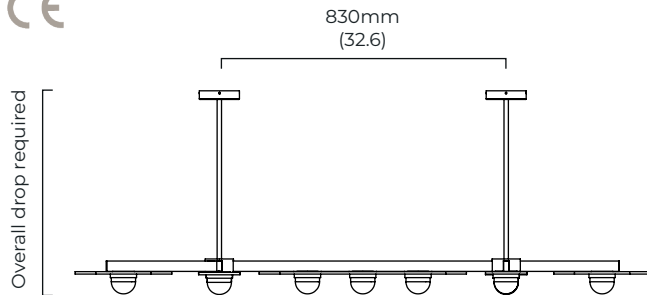
### DESIGNER

Federico Peri

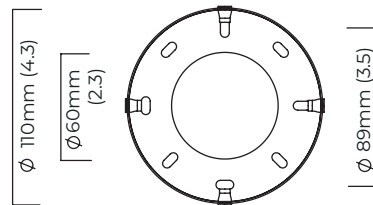
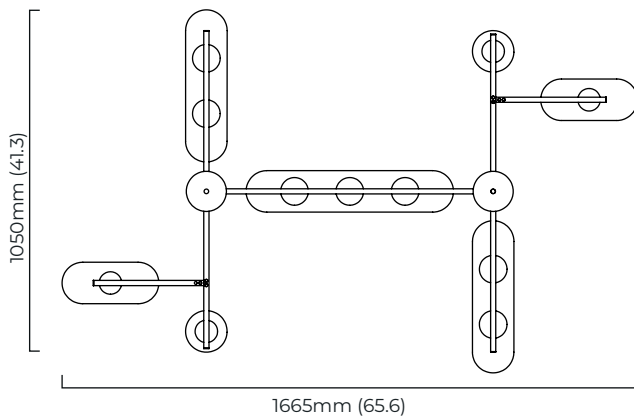
### WEIGHT

18kg (39.7lbs)

### CERTIFICATION



ceiling rose back plate



	Input Voltage	As Standard	On Request
Phase Cut (rotary dimmer)	230	✓	
0/1-10V230	230	✗	✗
DALi	230	✗	✓
Phase Cut (rotary dimmer)	120	✓	
0/1-10V120	120	✗	✗
DALi	120	✗	✗