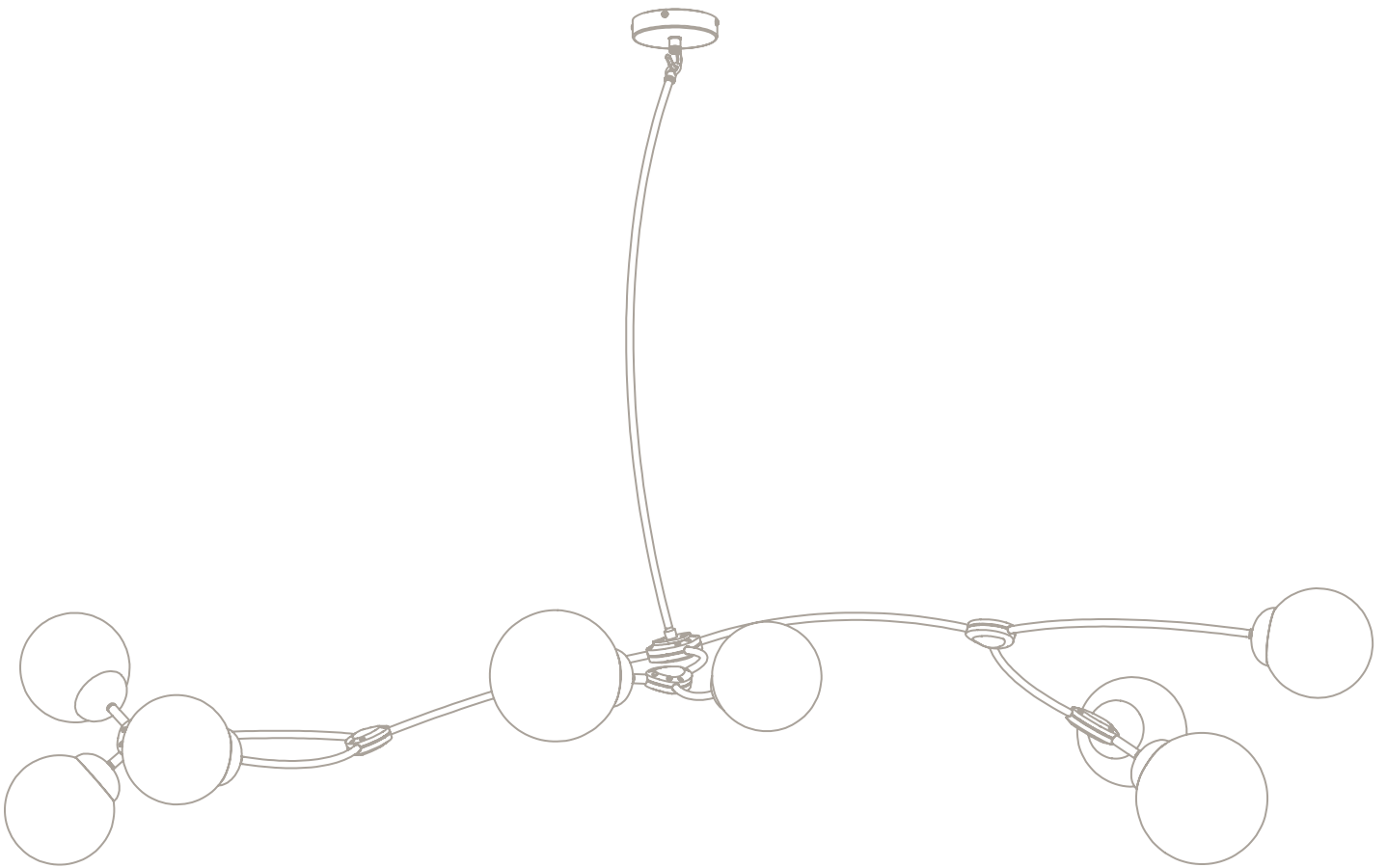


IVY 8 PENDANT

Installation Guide



Please handle with care and wear gloves at all times during assembly and installation to avoid damaging components.

TECHNICAL

Bulb Holder
 240v - 8 x E14,
 120v - 8 x E12
 (no bulbs supplied)

Wattage
 25w max (or 4.5w LED 2700k)

Weight
 12kg (26.5lbs)

PARTS & COMPONENTS

- A. 1 x Mounting plate, 1 x Ceiling rose cover
- B. 4 x M4x12 screws, 3 x M4x5 countersunk screws
- C. 6 x 150mm glass shade, 2 x 180mm glass shade
- D. 1 x drop rod with central hub attachment
- E. 1 x Ivy 8 body

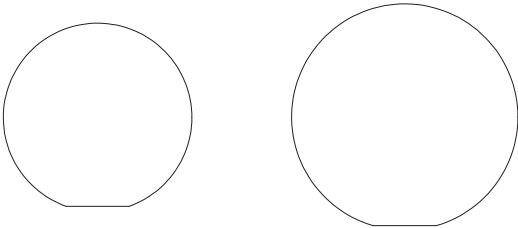
A.



B.



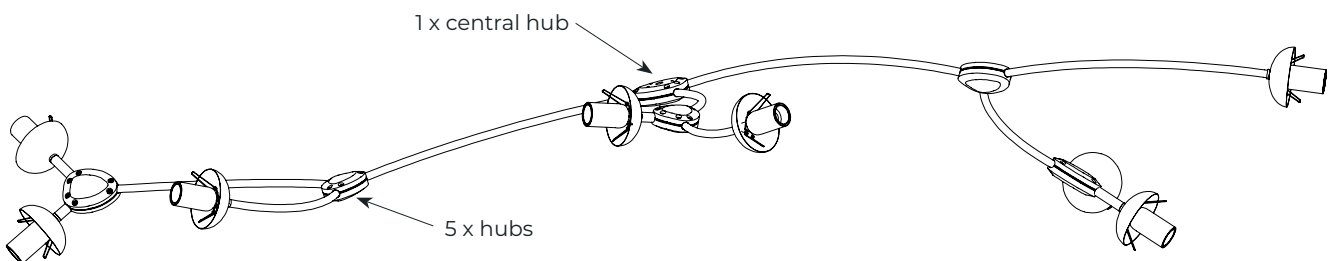
C.



D.



E.

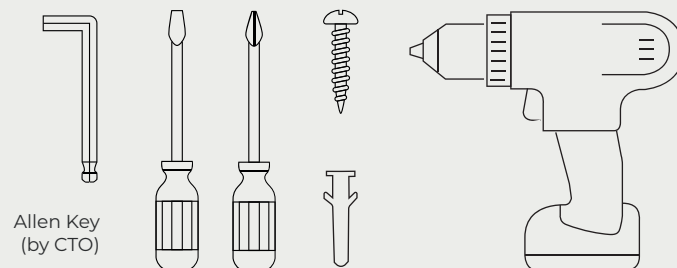


- All nuts and bolts required for assembling the light are included.

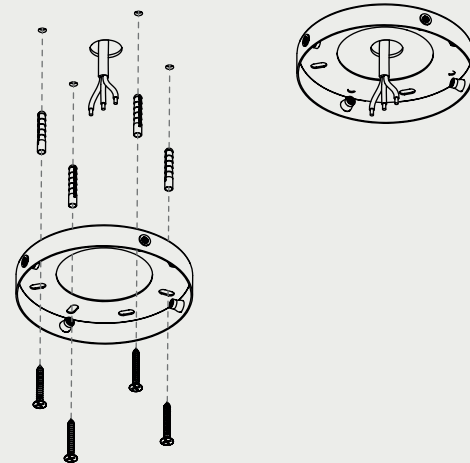


BEFORE INSTALLATION

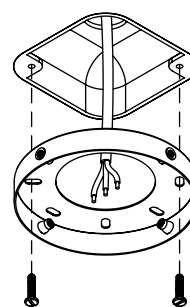
- Check that you have all components before starting the installation.
 - Installation must be carried out by a qualified electrician.
 - A minimum of two people is required to install a pendant light.
- Check that the ceiling or wall fixings are suitable and strong enough to support the weight of the light fixture.
 - You will need the below specific tools for a successful installation.



1. Fix the mounting plate to the ceiling. Ensure that suitable screws are being used for the surface you are mounting to (not supplied).

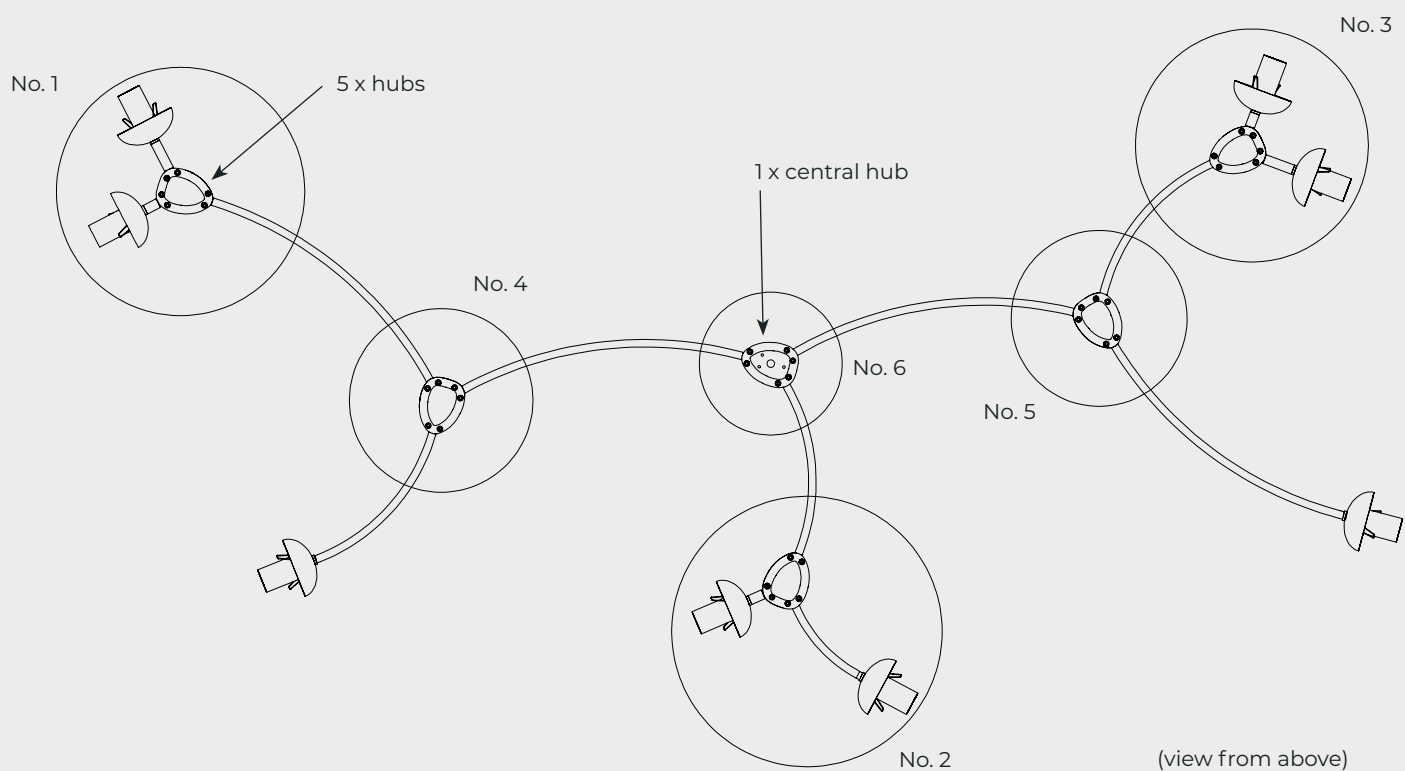


1. 120v
US Fix the mounting plate to the junction box using suitable screws (not supplied).



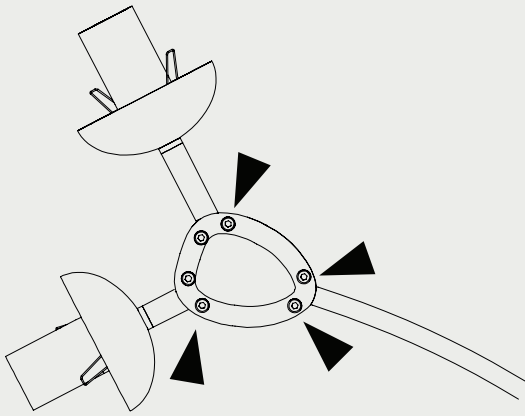
2. Moving the lighting modules into the correct positions

A. Place the body of the pendant onto a flat surface as shown below.

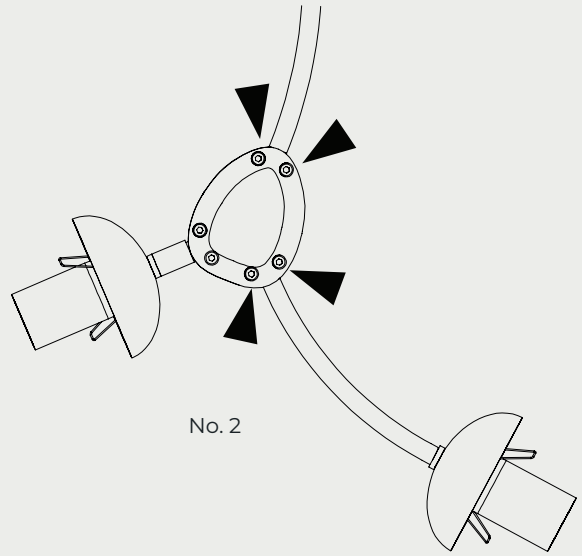


2. B. Starting from the outer hub (No.1, No.2, No.3), loosen the screws highlighted with arrows on the diagrams below.

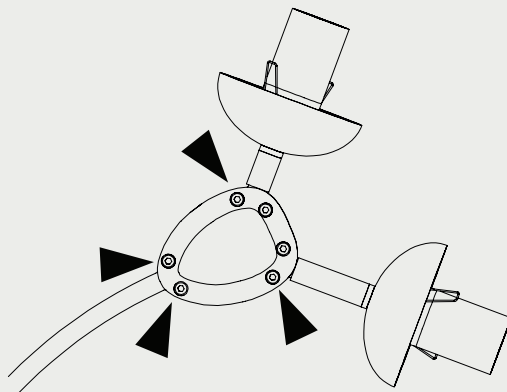
Do not fully undo the screws from the modules, just enough to allow the arms to rotate.



No. 1

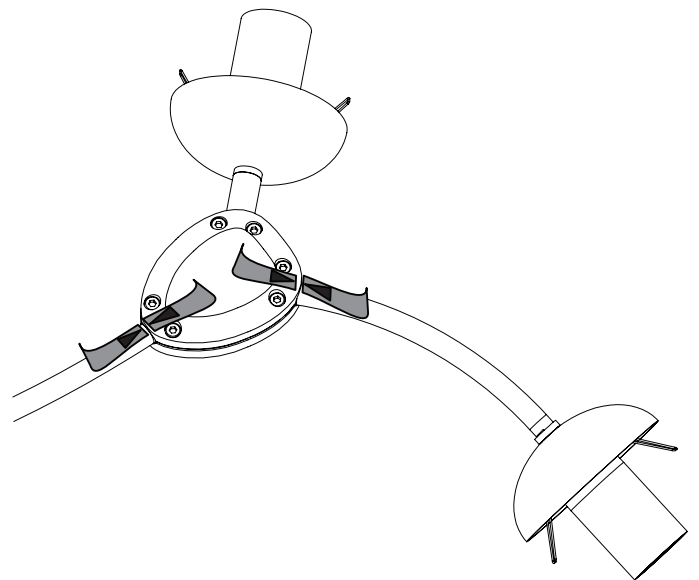
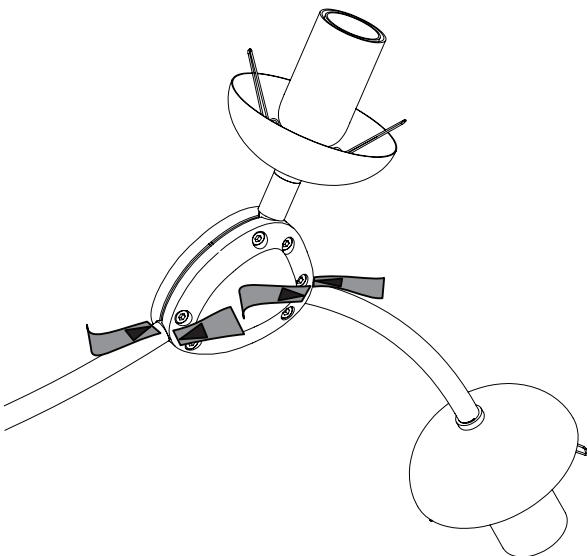


No. 2

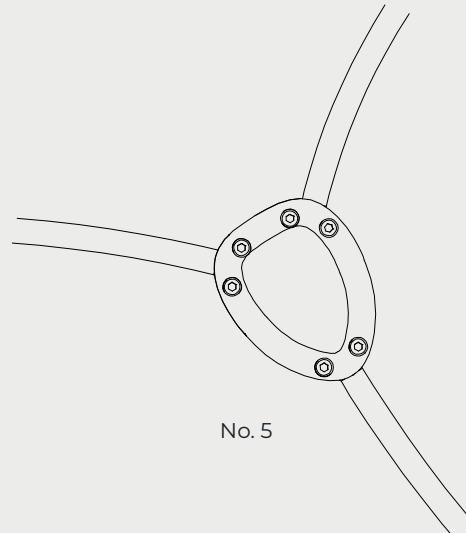
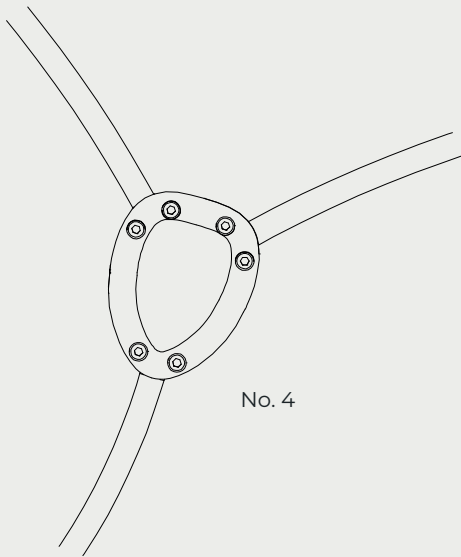


No. 3

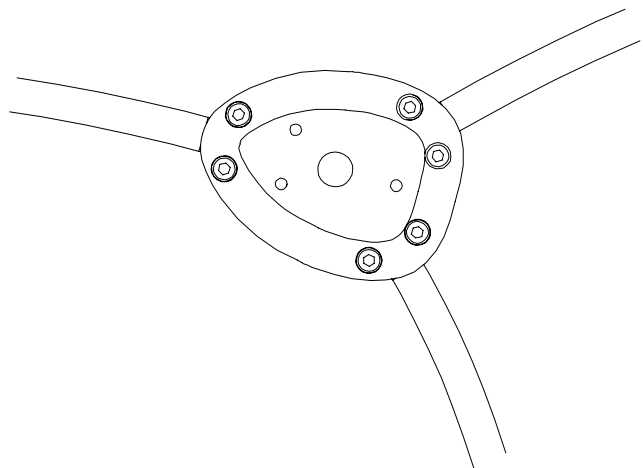
2. C. Gently turn the parts so the arrow stickers on the arm and the arrow stickers on the hub align.



2. D. Tighten the loose screws securing the parts in place.
- E. Tighten all 6 screws on the hub and repeat several times until all screws are well tighten and fully secure.
- Note: Do not remove the arrow stickers before you install the light to the ceiling and attach the shades.
- F. Repeat the stages B,C,D and E for the inner hubs (No.4, No.5). Loosen all 6 screws slightly. Do not fully undo the screws from the hubs, just enough to allow the parts to rotate.

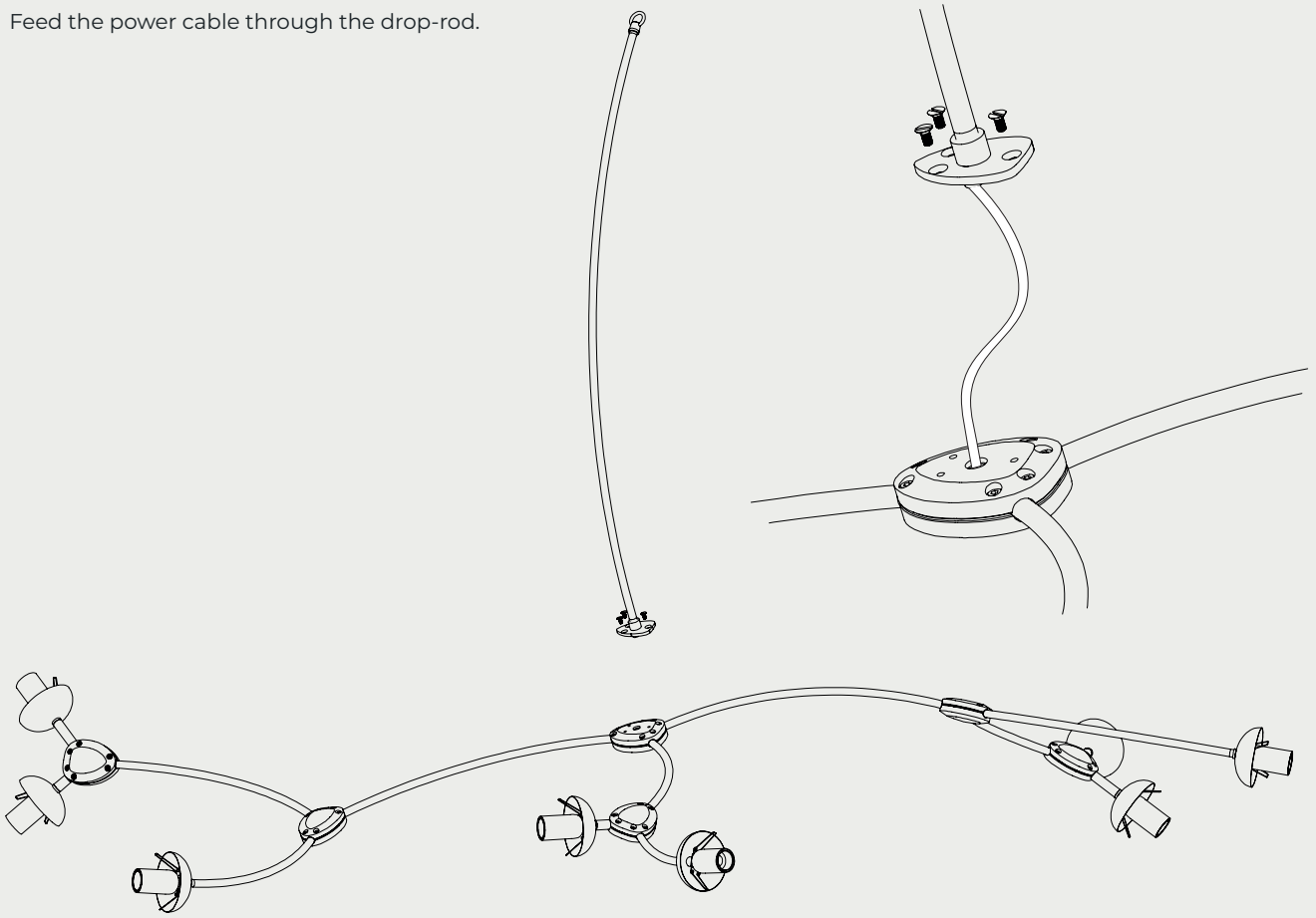


2. G. Repeat the stages B,C,D and E for the central hub (No.6). Loosen all 6 screws slightly. Do not fully undo the screws from the hub, just enough to allow the parts to rotate.

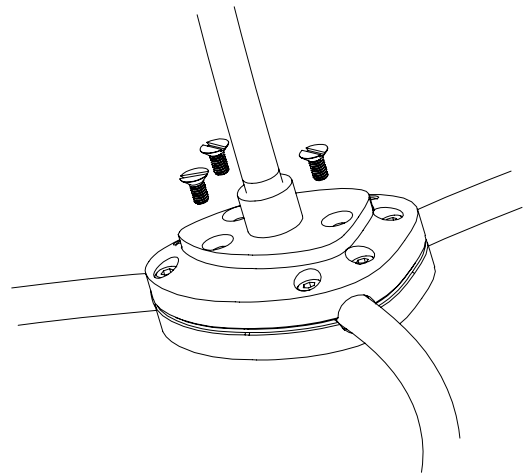


Note: Take care when using the allen-key not to damage the socket on each screw. If your allen-key is not in a perfect condition, replace the tool before continuing. Use allen-key size No.3 (3mm).

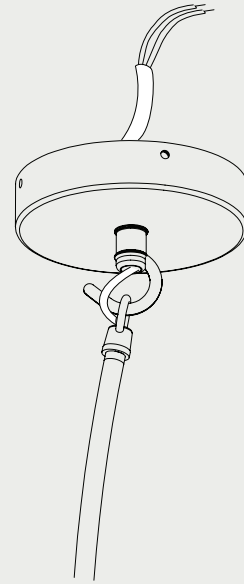
3. A. Feed the power cable through the drop-rod.



3. B. Lower the drop-rod to the central hub and secure with the 3 x M4 countersunk screws.



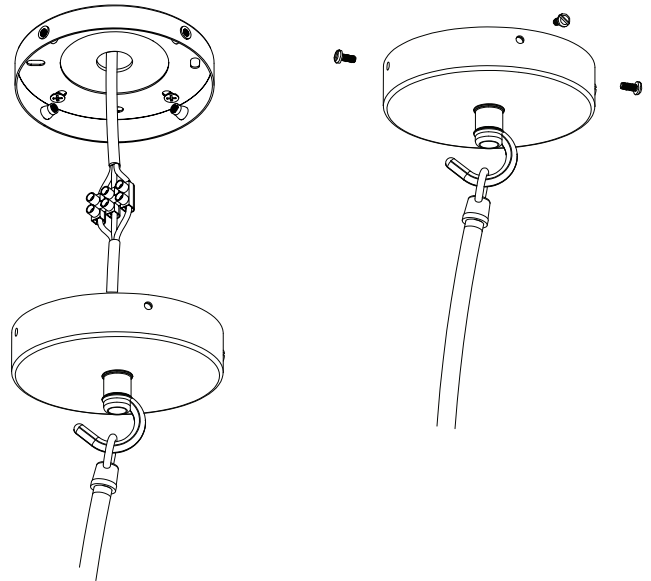
4. Feed the power cable from the drop rod into the ceiling rose cover and hook the drop-rod to the ceiling box.



5. Raise the pendant and make the electrical connections ensuring all wires are colour matched and the pendant is earthed correctly.

Bring the ceiling rose up to the mounted plate and secure using provided screws.

Note: Ensure that the weight of the pendant is fully supported during the electrical installation.

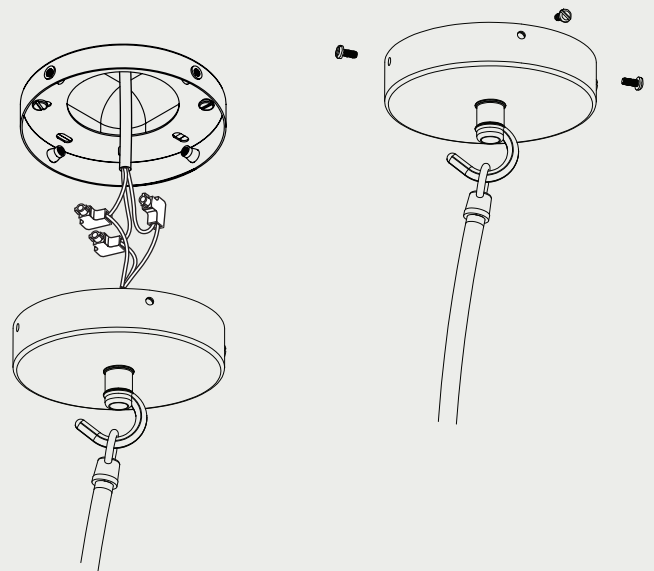


5. 120V

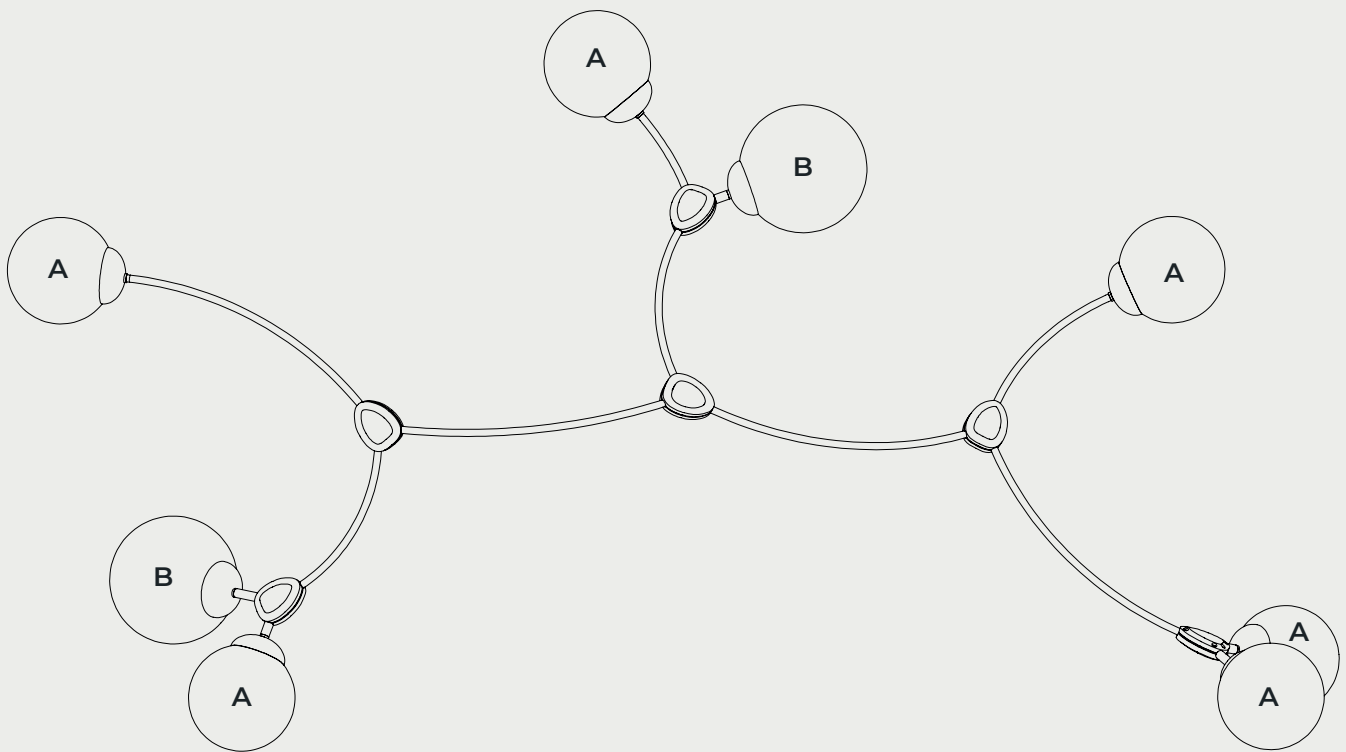
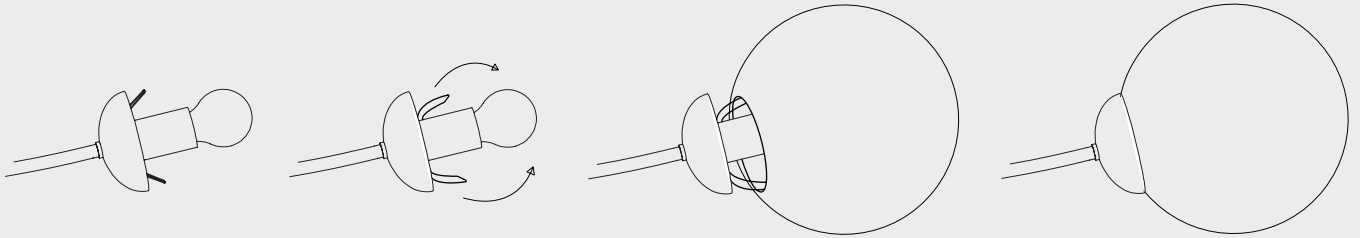
US Raise the pendant and make the electrical connections inside the junction box ensuring all wires are colour matched and the pendant is earthed correctly.

Bring the ceiling rose up to the mounted plate and secure using provided screws.

Note: Ensure that the weight of the pendant is fully supported during the electrical installation.



4. A. Fit the bulb (not supplied) to the lamp-holder.
 B. Fit the glass shades to the pendant body.
 Pinch the spring clips inwards and hold, slowly feeding the glass shade over the spring clips. Do not release the glass shades too quickly.



A. 150mm diam. glass shade
 B. 180mm diam. glass shade

(view from below)

MAINTENANCE

Cleaning

Dust using a dry lint-free cloth weekly or as required

Repairs

Contact
 CTO Lighting

Warranty

Please visit
[www.ctolighting.co.uk/
 pages/f-a-q](http://www.ctolighting.co.uk/pages/f-a-q)
 for CTO warranty policy

Certification



E492308