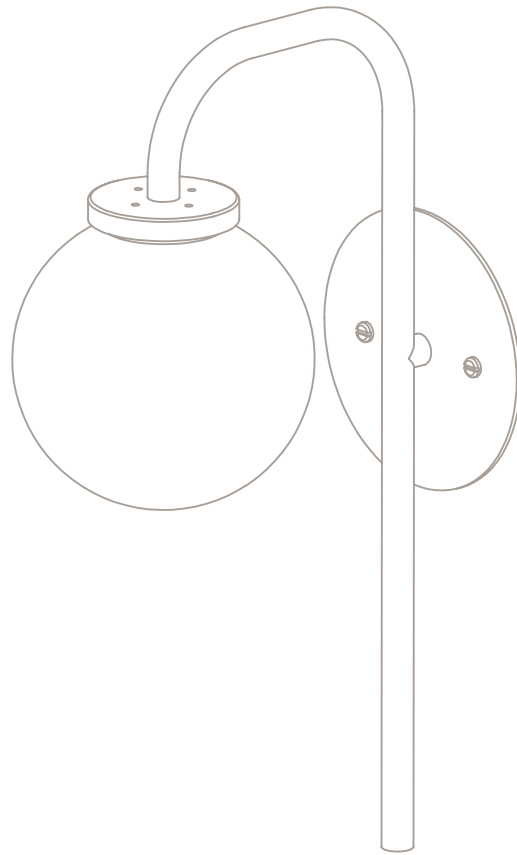


BIG BULB OPAL WALL

Installation Guide



!

Please handle with care and wear gloves at all times during assembly and installation to avoid damaging components.

TECHNICAL

Bulb Holder
240v - 1 x G9
120v - 1 x G9
(bulbs not supplied)

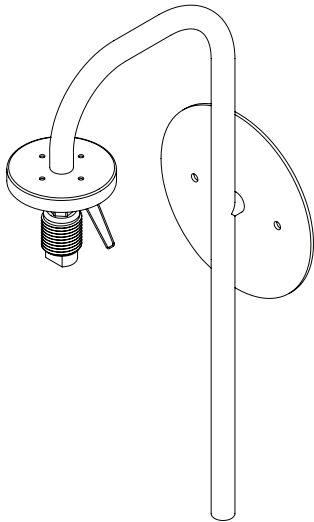
Wattage
25w max halogen
(or 2.3w LED 2700k)

Weight
2kg (4.4lbs)

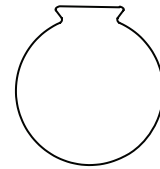
PARTS & COMPONENTS

- A. 1 X Big bulb wall body
- B. 1 x Glass Shade
- C. 2 x Screws

A.



B.



C.

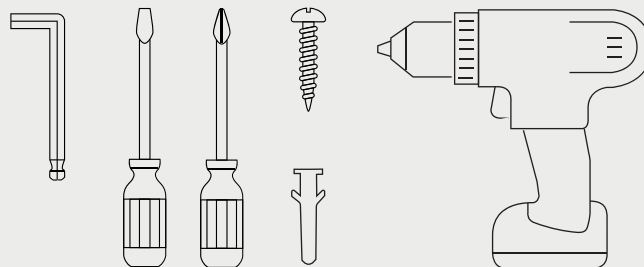


- All nuts and bolts required for the installation will be included in the delivery.

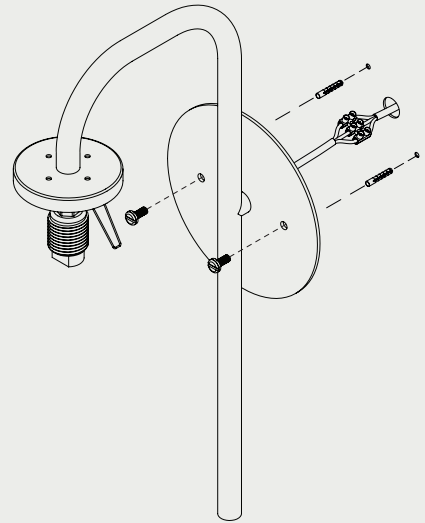


BEFORE INSTALLATION

- Check that you have all components before starting the installation.
 - Installation must be carried out by a qualified electrician.
 - A minimum of two people is required to install a pendant light.
- Check that the ceiling or wall fixings are suitable and strong enough to support the weight of the light fixture.
 - You will need the below specific tools for a successful installation.

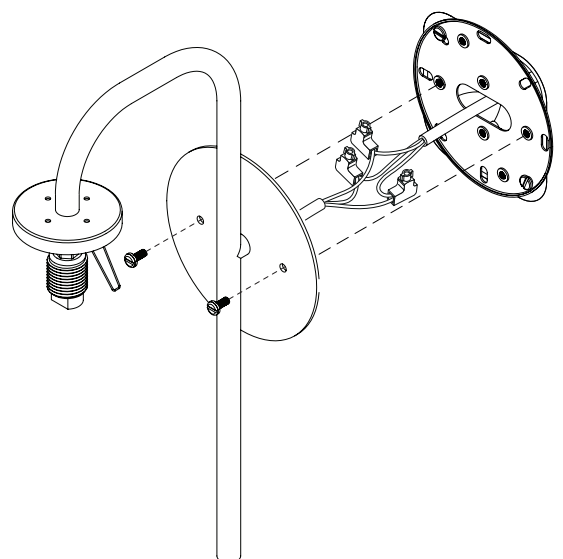
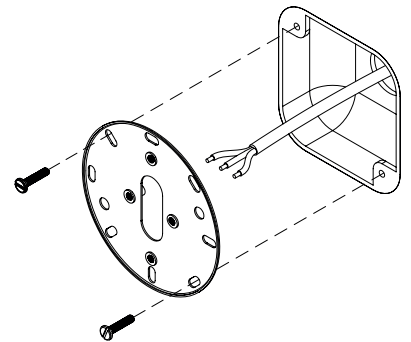


1. Make the electrical connections and attach the Big Bulb back plate to the wall in the desired position using the supplied screws.



1. **US** For US installation, fit the supplied US adapter plate to the junction box using suitable screws.

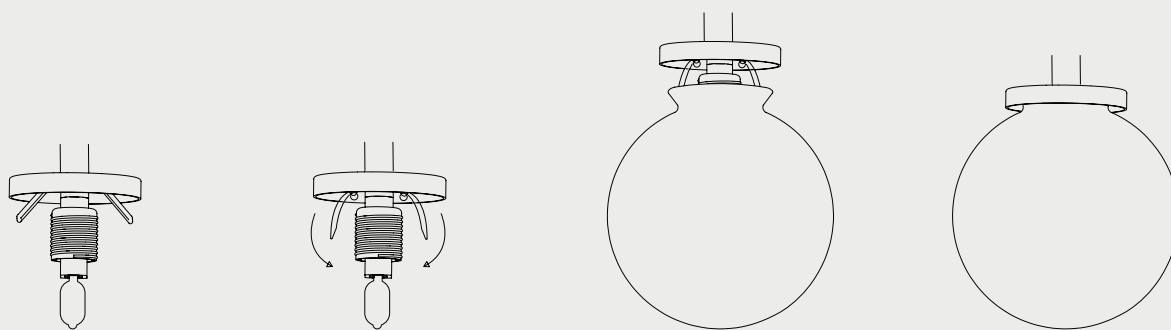
Make the electrical connections and attach the Big Bulb back plate to the adapter plate using the supplied machine screws.



2. Fit the bulb and glass shade to the fitting.

Pinch the spring clips inwards and hold, slowly feeding the opal glass shade over the spring clips.

Do not release the opal glass shade too quickly.

**MAINTENANCE****Cleaning**

Dust using a dry lint-free cloth weekly or as required

Repairs

Contact
CTO Lighting

Warranty

Please visit
[www.ctolighting.co.uk/
pages/f-a-q](http://www.ctolighting.co.uk/pages/f-a-q)
for CTO warranty policy

Certification