

AVALON CHANDELIER LARGE CEILING MOUNTING PLATE

A continuous ring of alabaster columns, encapsulated in brass or bronze creating a powerful contrast. Each column is illuminated, highlighting the unique striations of every piece of alabaster producing a sophisticated ambience.

FINISH

Ceiling mounting plate

all satin brass
CTO-01-045-0101

all bronze
CTO-01-045-0102

BULBS

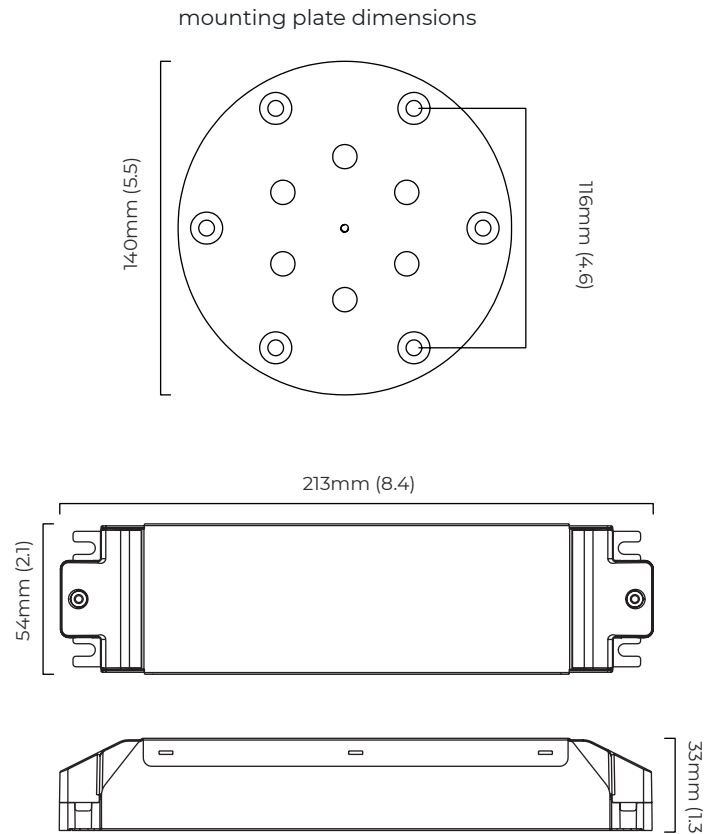
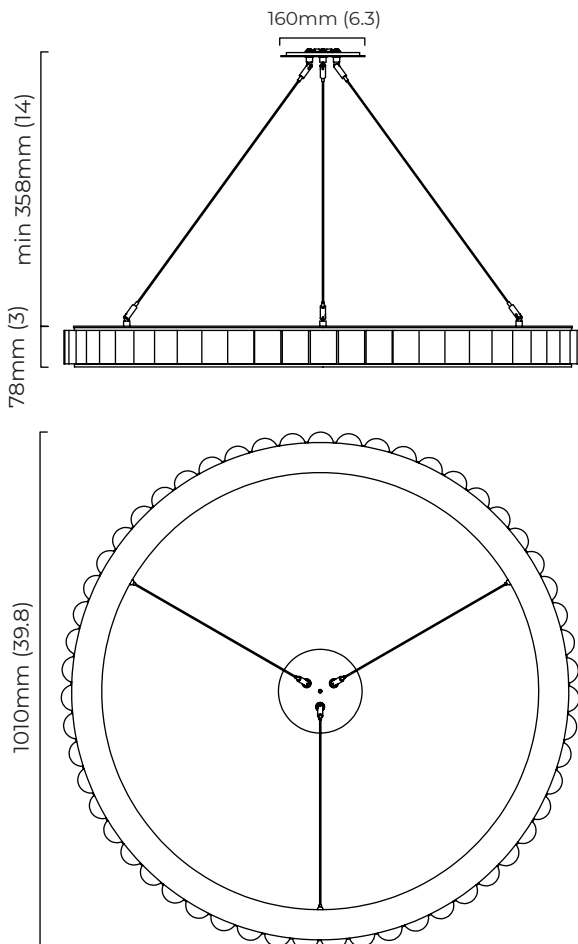
integrated LED - trailing edge dimmable - 66w - 2700k

Note - LED driver to be installed in cavity of wall.

WEIGHT

27kg (59.5lbs)

CERTIFICATION



AVALON CHANDELIER LARGE CEILING ROSE

A continuous ring of alabaster columns, encapsulated in brass or bronze creating a powerful contrast. Each column is illuminated, highlighting the unique striations of every piece of alabaster producing a sophisticated ambience.

ADDITIONAL INFORMATION ON CEILING ROSE OPTION

FINISH

satin brass (ceiling rose only)
CTO-01-045-0051

bronze
CTO-01-045-0052 (ceiling rose on;y)

WEIGHT

28.5kg (62.8lbs) - Total

Note - LED driver inside ceiling / wall rose.

