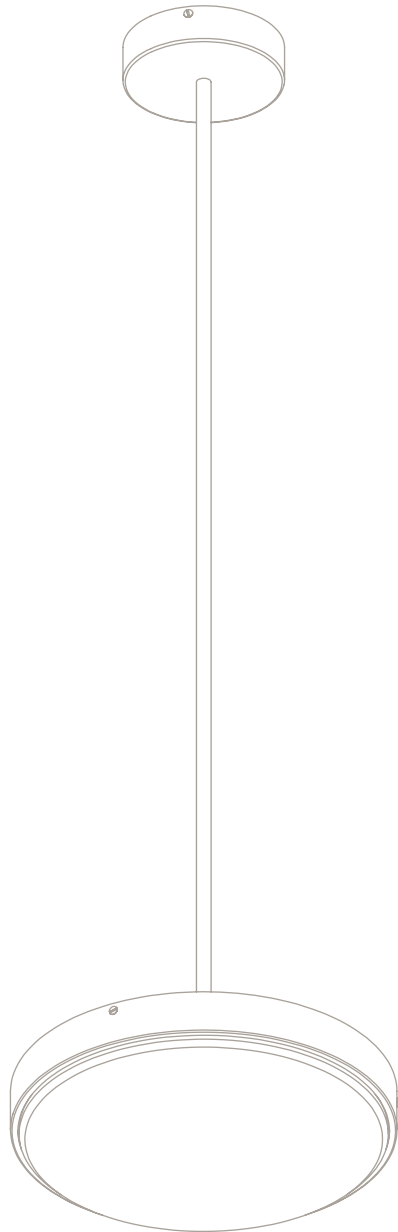


## ANVERS MEDIUM PENDANT

Installation Guide



Please handle with care and wear gloves at all times during assembly and installation to avoid damaging components.

## TECHNICAL

**Bulb Holder**  
integrated LED  
dimmable

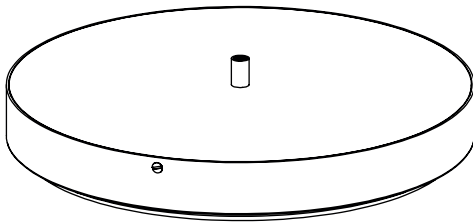
**Wattage**  
17w (3000k)

**Weight**  
8.2 kg (18.1 lbs)

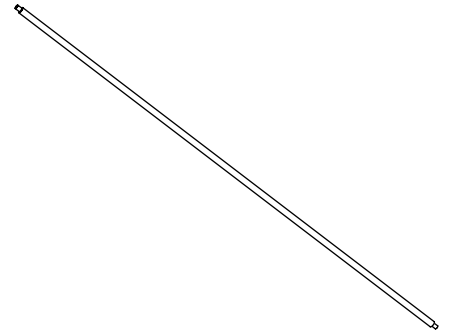
## PARTS & COMPONENTS

- A - Anvers Medium Body
- B - Drop rod
- C - mounting plate
- D - Ceiling rose
- E - M10 nuts washers & Fixing Screws
- F - LED Driver 230V

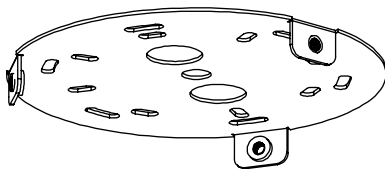
A.



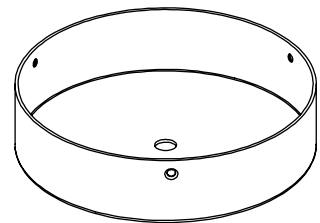
B.



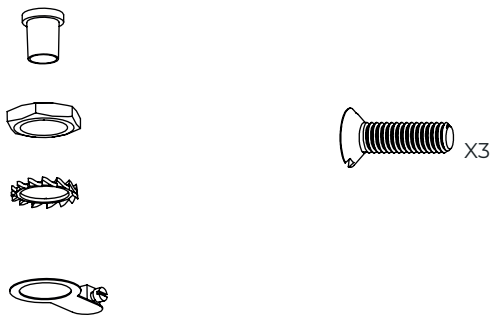
C.



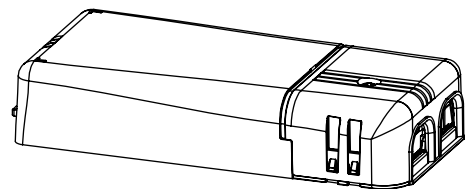
D.



E.



F.

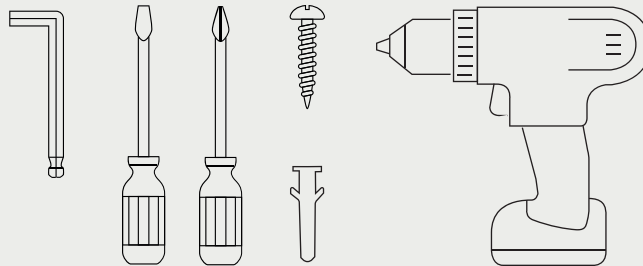


- All nuts and bolts required for assembling the light are included.



## BEFORE INSTALLATION

- Check that you have all components before starting the installation.
  - Installation must be carried out by a qualified electrician.
  - A minimum of two people is required to install a pendant light.
- Check that the ceiling or wall fixings are suitable and strong enough to support the weight of the light fixture.
  - You will need these specific tools for a successful installation.



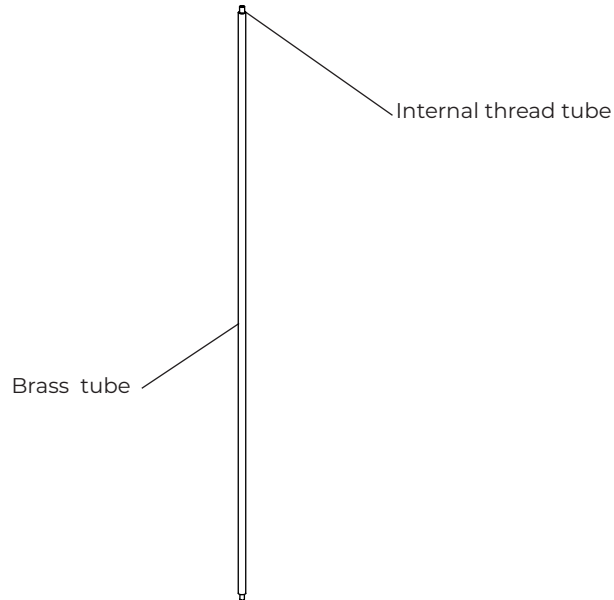
### PLEASE NOTE

The pendant cannot be rotated once mounted to the ceiling.  
Ensure that it is installed in the desired position.



## HEIGHT ADJUSTMENT INSTRUCTIONS

Before attaching the drop-rod to the body of the light, calculate the required total drop from ceiling to bottom of pendant. If any height adjustment is required, follow the steps below:

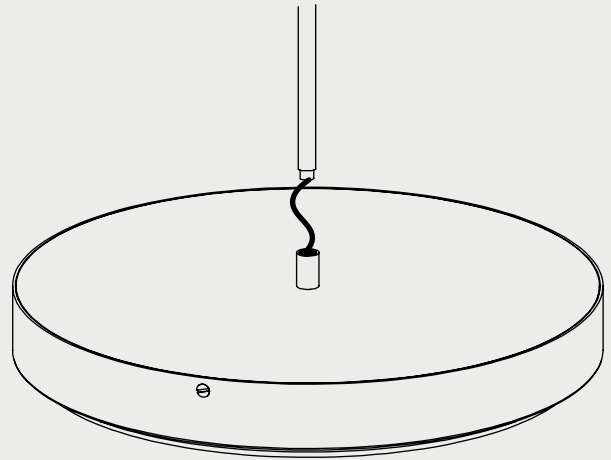


1. Measure the length the drop rod needs to be.
2. Cut the brass tube to this length using a hacksaw or similar tool, making sure to cut it at 90 degrees.

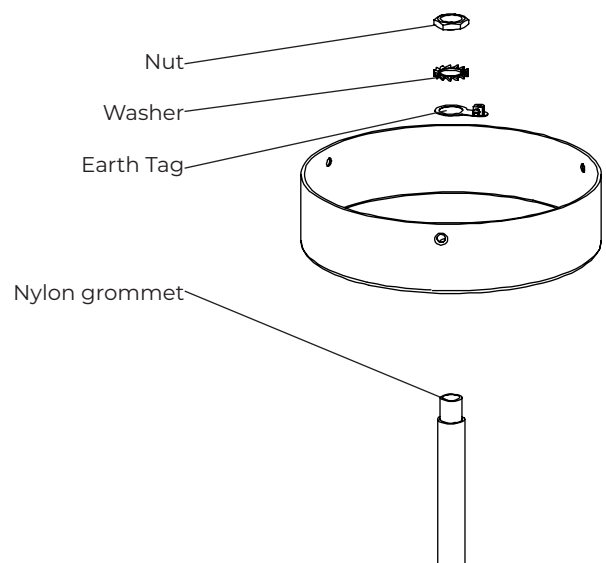
NOTE: Internal threaded tube must always be longer than the brass tube.

3. Once the brass tube and internal threaded tube are cut to correct lengths, slide the brass tube over the internal threaded tube and attach them back to the ceiling rose cover by using components provided.

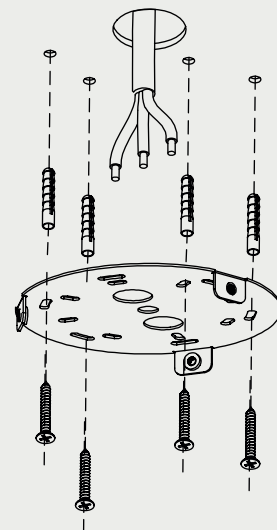
1. Thread the cable from the Anvers Pendant through the drop rod, screw half the amount of visible threaded rod into the female coupler.



2. Place the ceiling rose onto of the drop rods and attach using the supplied washes and nuts.



3. 240V
  - A. Securely fix the mounting plate to the ceiling in the correct position using fixings suitable for the surface you are mounting to (not supplied).

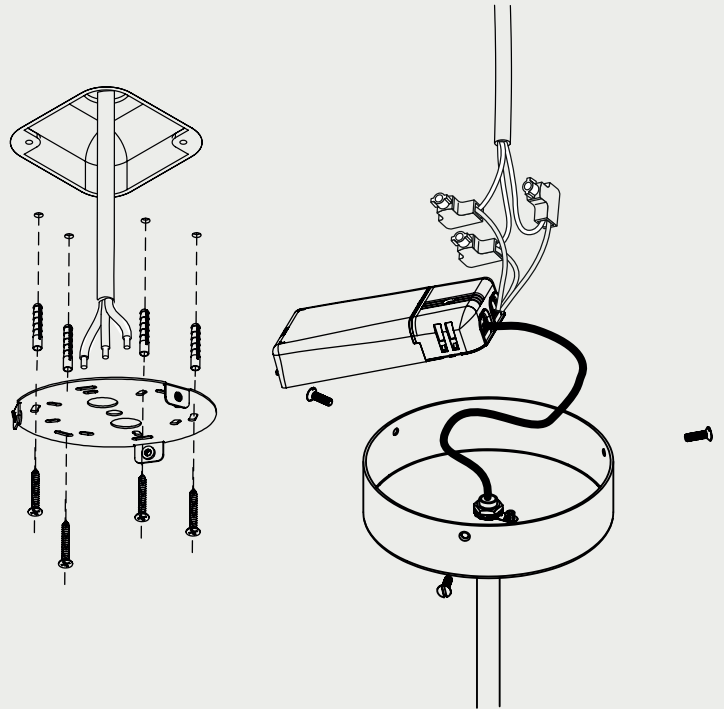


## 4. 120V

US

- A. Fix the mounting plate to the ceiling using suitable screws (not supplied).
- B. Raise the pendant and make the electrical connections inside the junction box ensuring all wires are colour matched and the pendant is earthed correctly.

Bring the ceiling rose cover up to the mounted plate and secure with the six screws.

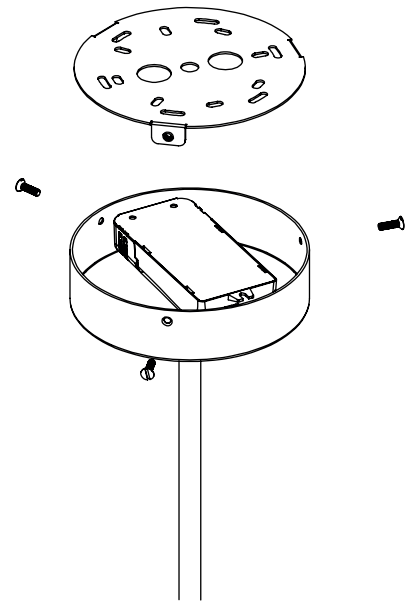
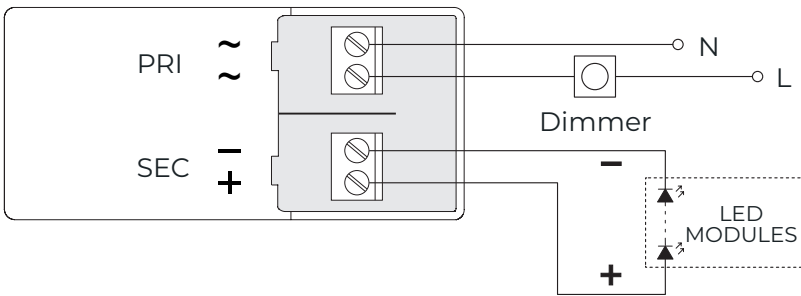


5. A. Make power connection to the LED driver. See wiring diagram. Place driver inside ceiling rose.

Dimmer is optional. Please note, use trailing edge dimmer switch only.

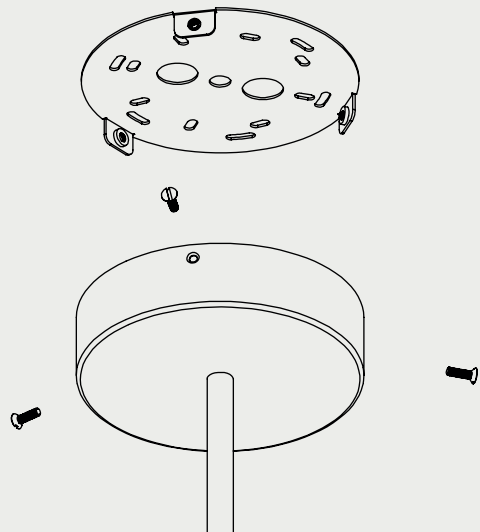
- B. Make sure the pendant is earthed correctly.

Note: + is the red cable going to LED module  
- is the black cable going to the LED module



6. Bring the fitting up to the ceiling plate, to attach.

Fix using the 3 x M4 screw provided.



## MAINTENANCE

### **Cleaning**

Use a soft dry cloth to clean. If any marks remain clean the area using a damp soft cloth and dry afterwards with a soft cloth

### **Repairs**

Contact  
CTO Lighting

### **Warranty**

Please visit  
[www.ctolighting/warranty](http://www.ctolighting/warranty)  
for CTO warranty policy

### **Certification**

