

## ANVERS MEDIUM CEILING / WALL MOUNTED

With its refined silhouette, Anvers collection creates a maximum impact through its exquisite disc of natural alabaster stone encased within solid brass, creating a pure and elegant piece.

### FINISH

Wall

all satin brass  
CTO-07-009-0101

all bronze  
CTO-07-009-0102

### BULBS

integrated LED - trailing edge dimmable - 17w - 3000k

LED driver to be installed in the cavity

driver can be placed upto 2m away from the ceiling plate

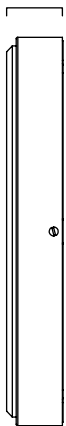
### WEIGHT

7kg (15.5lbs)

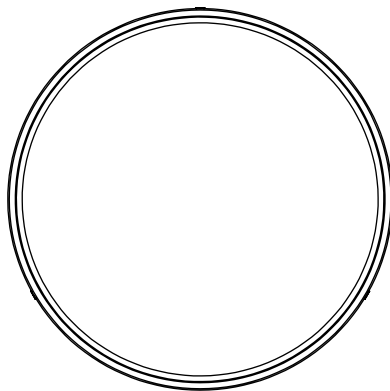
### CERTIFICATION



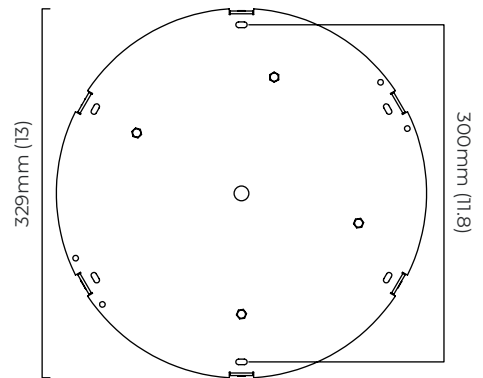
48mm (1.9)



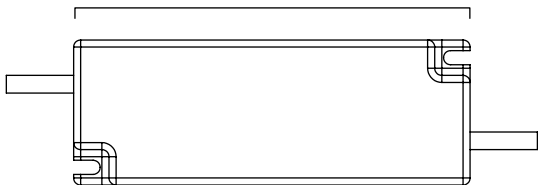
335mm (13.2)



mounting plate dimensions



112mm (4.4)



41mm (1.6)

25mm (1)



	Input Voltage	As Standard	On Request
Phase Cut (rotary dimmer)	230	✓	
0/1-10V230	230		✓
DALi	230		✓
Phase Cut (rotary dimmer)	120	✓	
0/1-10V120	120		✓
DALi	120	x	x

## ANVERS MEDIUM WITH WALL / CEILING ROSE

With its refined silhouette, Anvers collection creates a maximum impact through its exquisite disc of natural alabaster stone encased within solid brass, creating a pure and elegant piece.

### ADDITIONAL INFORMATION ON CEILING / WALL ROSE OPTION

#### FINISH

all satin brass (wall rose only)  
CTO-07-009-0151

all bronze  
CTO-07-009-0151 (wall rose only)

#### WEIGHT

9kg (20lbs) - Total

Note - LED driver inside ceiling / wall rose.

