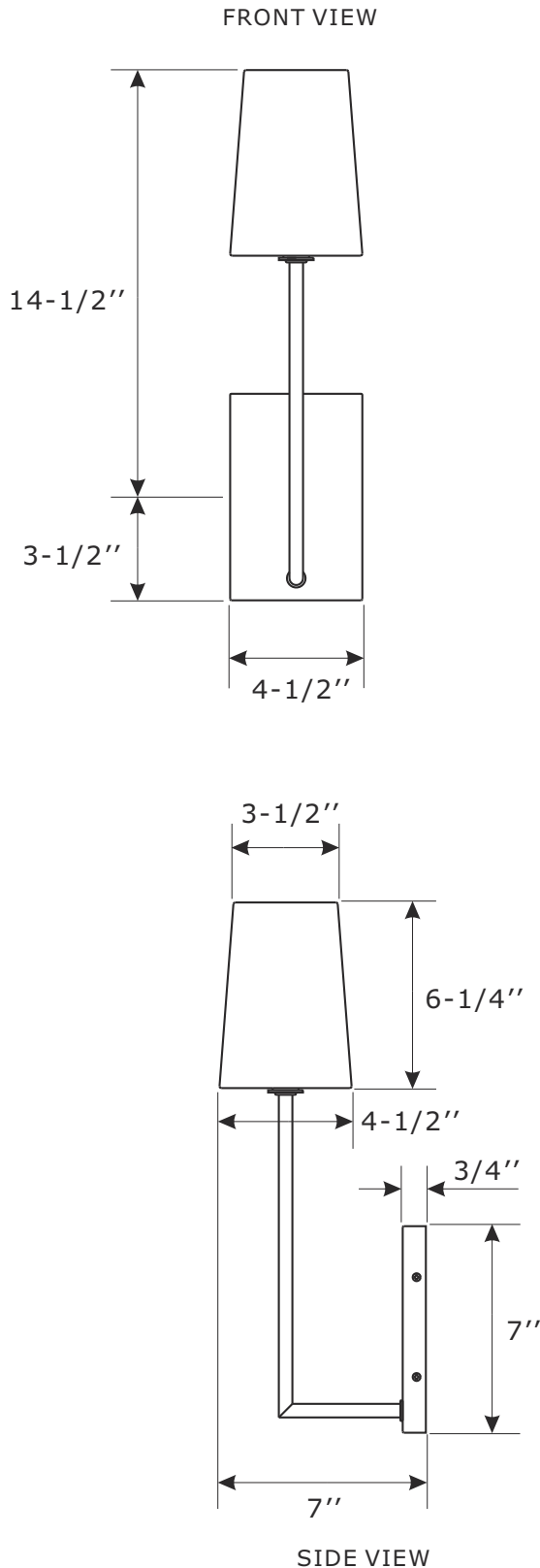




## ASSEMBLY INSTRUCTION MODEL#LEN-251-BF



All electrical components must be installed by a licensed electrician in accordance with the National Electric Code and the appropriate local electrical codes.



You will need 1- Candelabra Base Bulb  
 40 Watts Recommended 60 Watts Max.  
 USE LED BULBS FOR EXTENDED USE  
 This fixture is Dry rated

### How to install

1. Install the mounting plate to the outlet box using two outlet box screws.
2. Install backplate onto the mounting plate, and secure with the screws.
3. Install the fabric shade onto the candle sleeve.
4. Install the bulb(not included) into the socket.



## Part Number

### Part Numbers

- A. (1)-Mounting hardware
- B. (1)-Mounting plate
- C. (1)-Backplate L7"xW4-1/2"xH3/4" #XRF251BFBKP7IN
- D. (4)-Screw
- E. (1)-Candle sleeve W7/8"xL2" #XRF251BFCDL2IN
- F. (1)-Fabric shade W4-1/2"xH6-1/4" #XRF251SHA6.25IN

