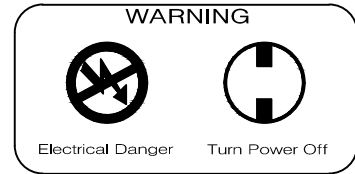
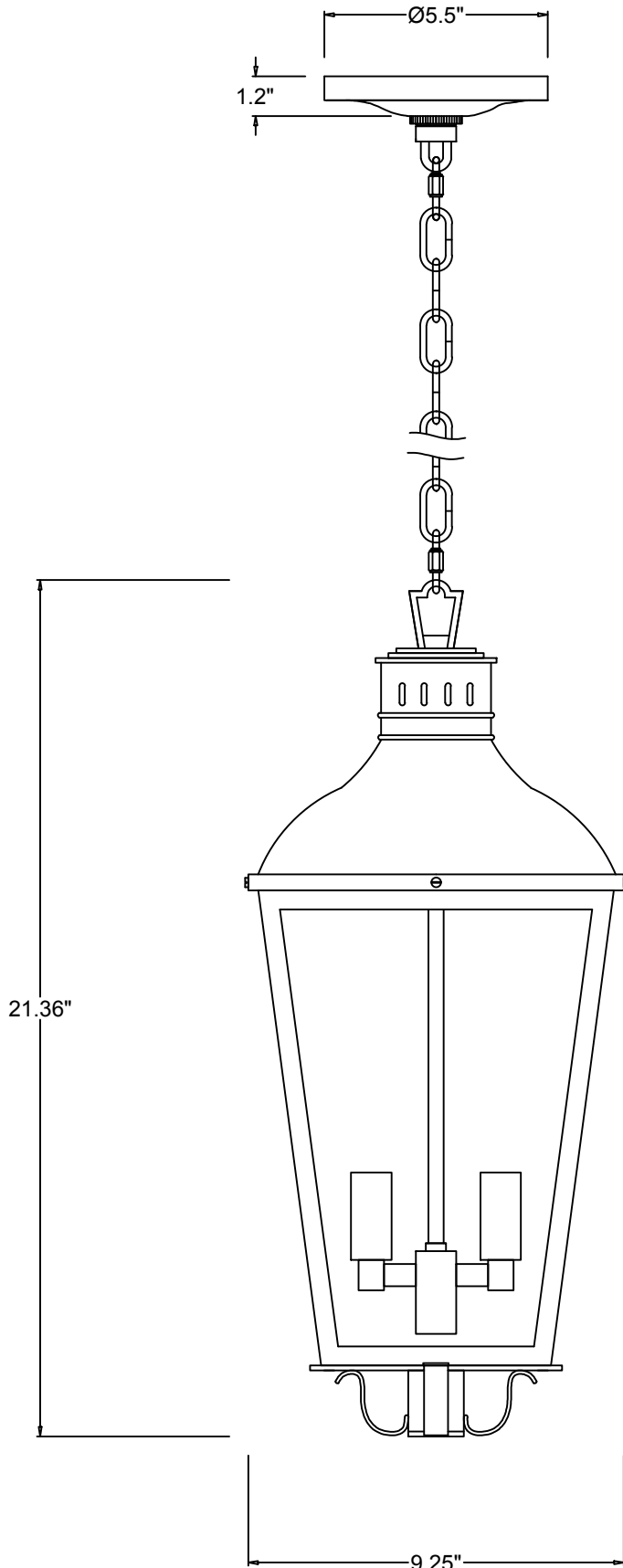


CRYSTORAMA

LIGHTING THE WAY FOR SIXTY YEARS

ASSEMBLY INSTRUCTION MODEL #DUM-9805-GE



All electrical components must be installed by a licensed electrician in accordance with the National Electric Code and the appropriate local electrical codes.



You will need 3-Candelabra Bulb
40 Watts Recommended 60 Watts Max
Bulb not included
USE LED BULBS FOR EXTENDED USE
This fixture is WET rated

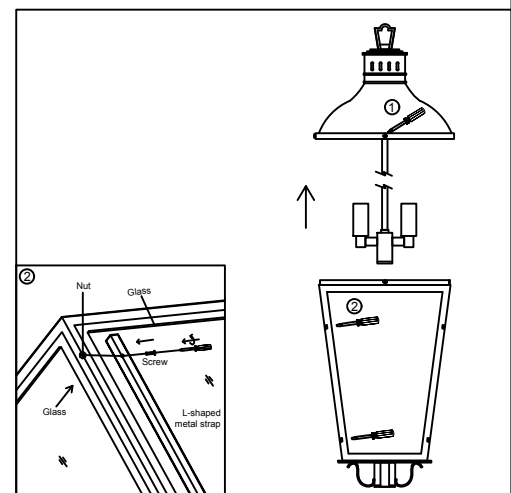
How to Install

1. Remove the screws on the top of the cage and remove the cage. Install the bulb onto the socket and put the cage back.
2. Attach the mounting strap to the outlet box using two outlet box screws.
3. Decide the desired hanging height and choose the correct length of chain.
4. Install the canopy over the mounting strap and secure with collar ring.

How to change glass

1. Remove the screws on the top of the cage and remove the cage
2. Remove the L-shaped metal strap by unscrewing the screws.
3. Smooth out the silicone glue along the glass channel, prior to placing in the new glass panel.
4. Put the new glass panel on and secure it with the L-shaped metal strap and screws.

Sketch Map



⚠ WARNING: This product can expose you to Lead, which is known to the State of California to cause cancer and/or birth defects or reproductive harm. For more information go to www.P65Warnings.ca.gov

CRYSTORAMA

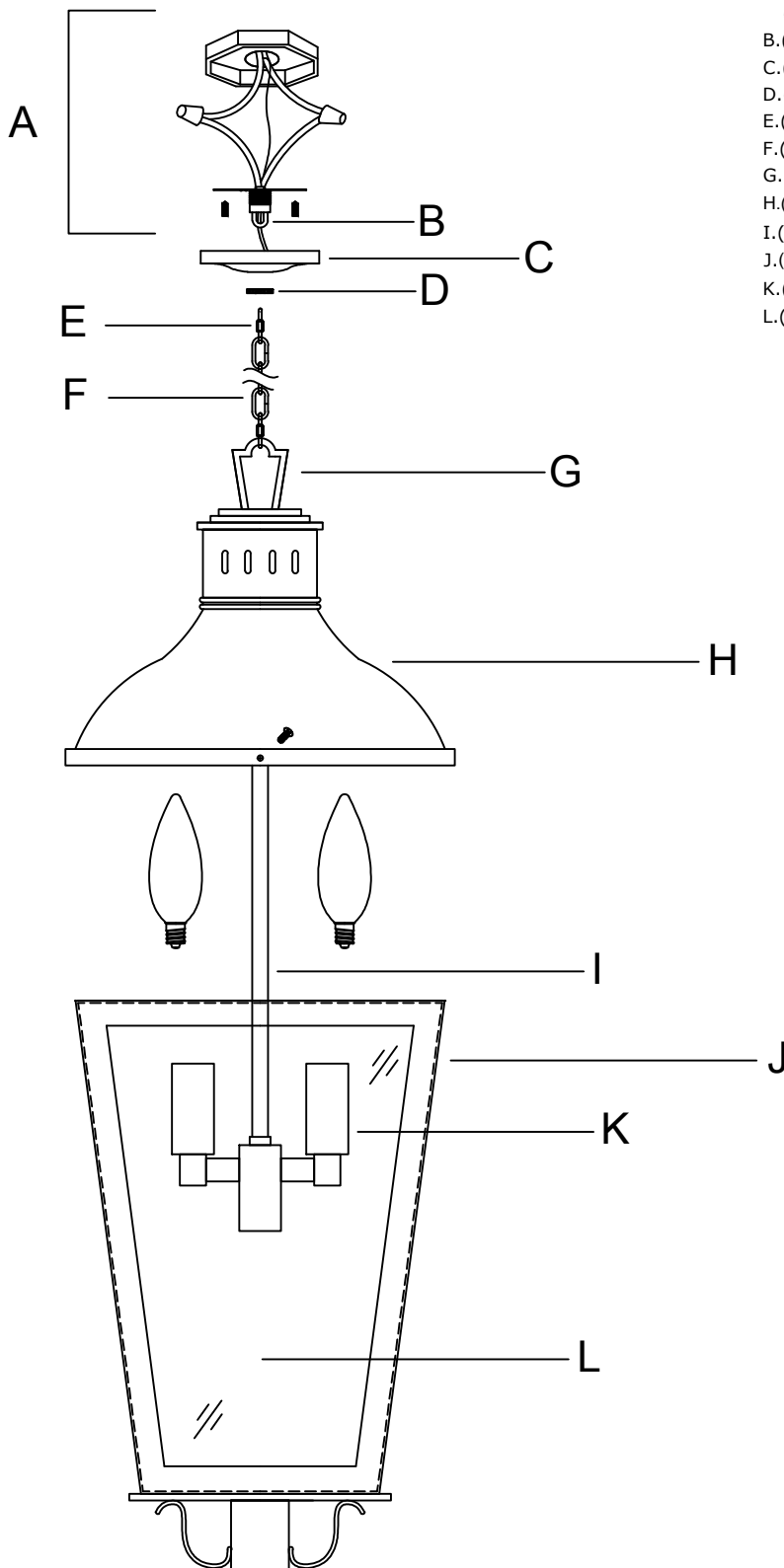
LIGHTING THE WAY FOR SIXTY YEARS

PART NUMBER MODEL #DUM-9805-GE

Part Number

Part Numbers

- A. Mounting Hardware
 - (1) Mounting Strap
 - (2) Mounting Screw
 - (3) Wire Nut
- B. (1) Screw Collar Loop
- C. (1) Canopy; Ø5.5"x1.2"h; XMO9805EGCAN5.5IN
- D. (1) Collar Ring
- E. (2) Quick Link
- F. (1) Chain; 72"Lx Ø5.0mmT; XMO9805GECHA5.0MM
- G. (1) Top Loop
- H. (1) Top cage
- I. (1) Rod; Ø0.4"x13"h; XMO9805GEROD13IN
- J. (1) Bottom cage
- K. (3) Socket
- L. (4) Glass; XMO9802GEGLA11.5IN



L-Glass Size

