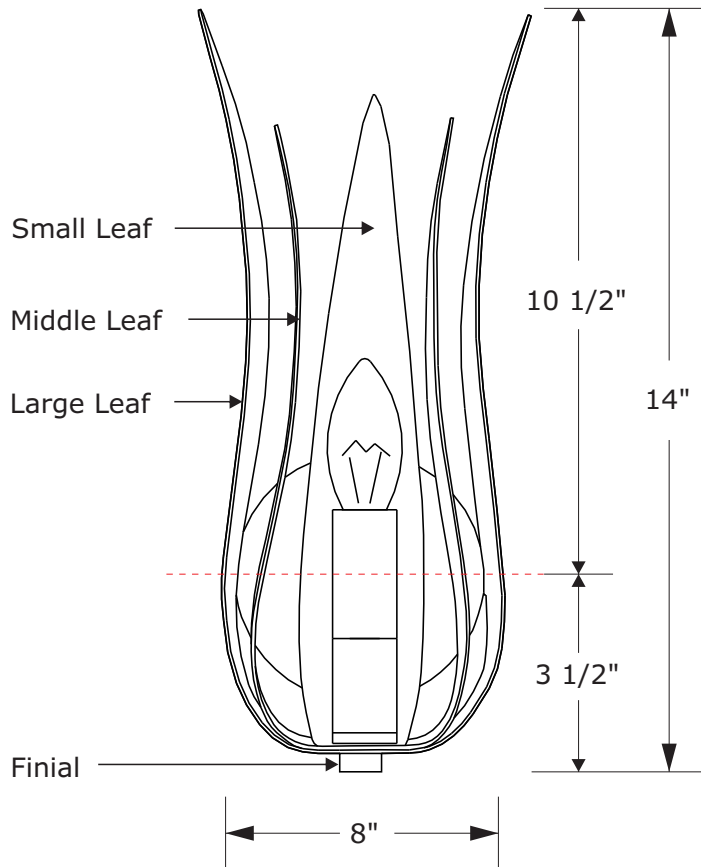


CRYSTORAMA

LIGHTING THE WAY FOR SIXTY YEARS

ASSEMBLY INSTRUCTION MODEL #511-GA



All electrical components must be installed by a licensed electrician in accordance with the National Electric Code and the appropriate local electrical codes.



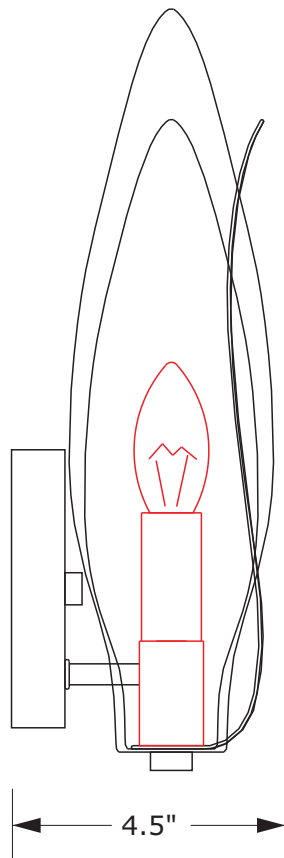
You will need 1 -Candelabra Base Bulb
40 Watts Recommended 60 Watts Max.

USE LED BULBS FOR EXTENDED USE
THIS FIXTURE IS DAMP RATED

How to install

1. Do a complete inventory of all parts and components before you start installing.
2. Please remove all three leaves before installing the fixture onto the outlet box.
3. Install the backplate onto the outlet box.
4. Insert recommended bulb (not included).
5. Place the small leaf, middle leaf and large leaf in that order, over the nipple on the socket and secure them with the hex nut and finial.

(Please note that the leaves can be adjusted by bending them slightly.)

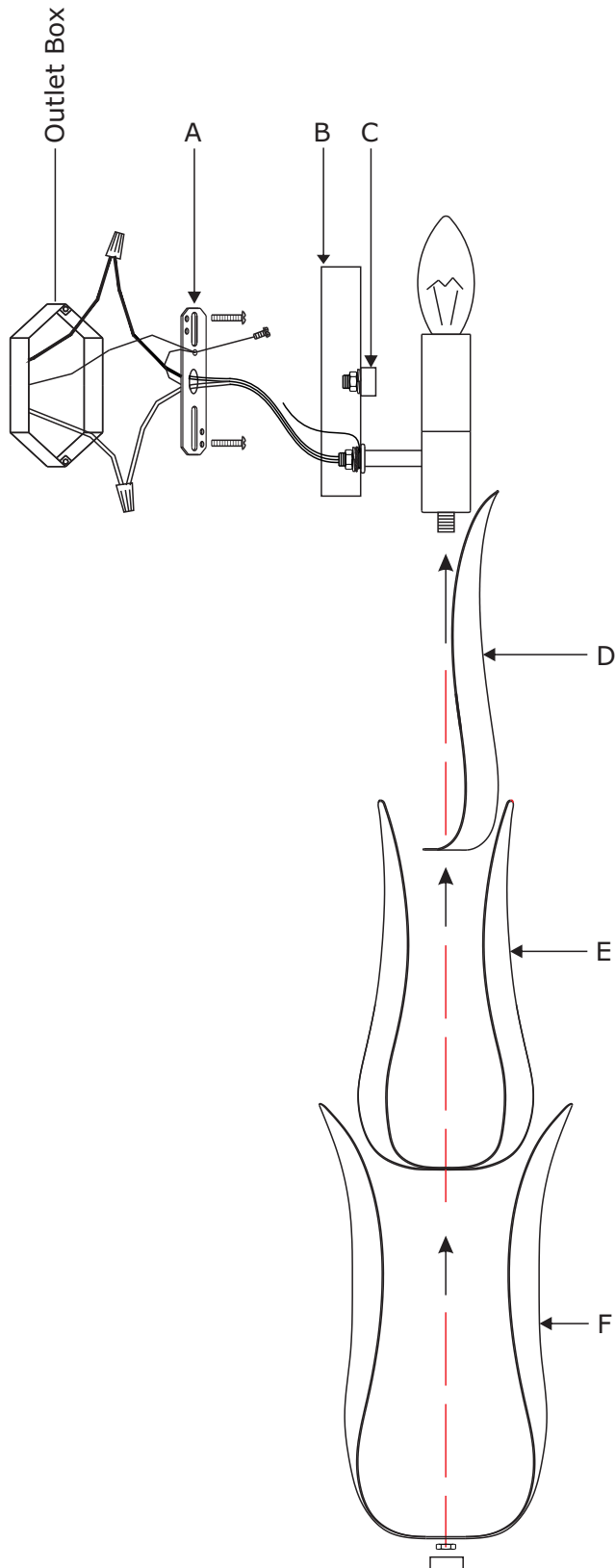


WARNING: This product can expose you to Lead, which is known to the State of California to cause cancer and/or birth defects or reproductive harm. For more information go to www.P65Warnings.ca.gov.

CRYSTORAMA

LIGHTING THE WAY FOR SIXTY YEARS

PART NUMBER MODEL #511-GA



Part Number

- A. (1) - Mounting Hardware
- B. (1) - Backplate(D4.72",H0.78") #XRE511GABKP4.72IN
- C. (2) - Finial #XRE511GAFIN
- D. (1) - Small Leaf
- E. (1) - Middle Leaf
- F. (1) - Large Leaf