

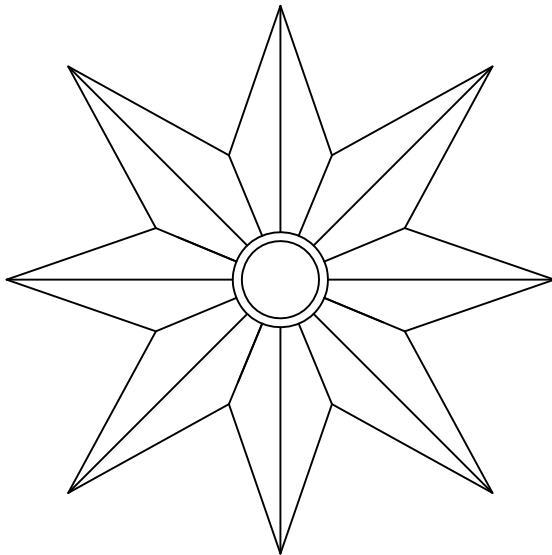
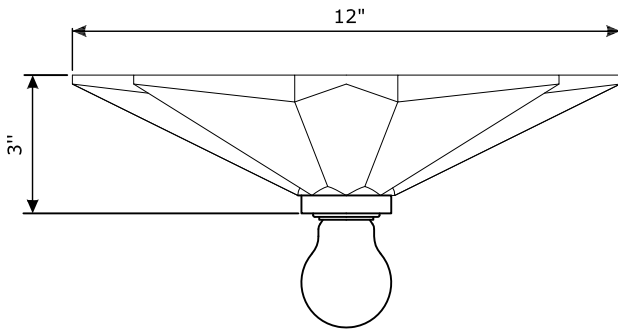
CRYSTORAMA

LIGHTING THE WAY FOR SIXTY YEARS

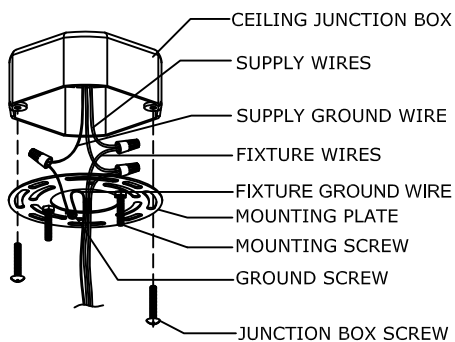


ASSEMBLY INSTRUCTION MODEL#9230-BK

Drawing (1)



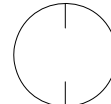
Drawing (2)



WARNING:

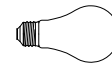


Electrical Danger



Turn Power off

All electrical components must be installed by a licensed electrician in accordance with the National Electric Code and the appropriate local electrical codes.



You will need 1- Medium Base Bulb

60 Watts Recommended 100 Watts Max.
USE LED BULBS FOR EXTENDED USE

THIS FIXTURE IS DAMP RATED

Please place the fixture frame on a soft cloth covered table before the installation.

1. Install the Mounting Plate onto the outlet box using the two outlet box screws.
2. Place the Canopy (B) onto the junction box, aligning Mounting Screw on the Mounting Plate with mounting holes on the Canopy (B) and lock it securely with Ball Nut (C).
3. Place the Frame (D) over the Socket and secure with socket ring(E)
4. Install the Bulb into the Socket.

WARNING: This product can expose you to Lead which is known to the state of California to cause cancer and/or birth defects or reproductive harm. For more information go to www.P65Warnings.ca.gov.

CRYSTORAMA

LIGHTING THE WAY FOR SIXTY YEARS



ASSEMBLY INSTRUCTION MODEL#9230-BK

Part Number

Part Numbers

- A. (1)-Mounting hardware
- B. (1)-Canopy
- C. (2)-Ball Nut (XFW9230BKBANUT)
- D. (1)-Frame
- E. (1)-Socket Ring (XFW9230BKSORING)

