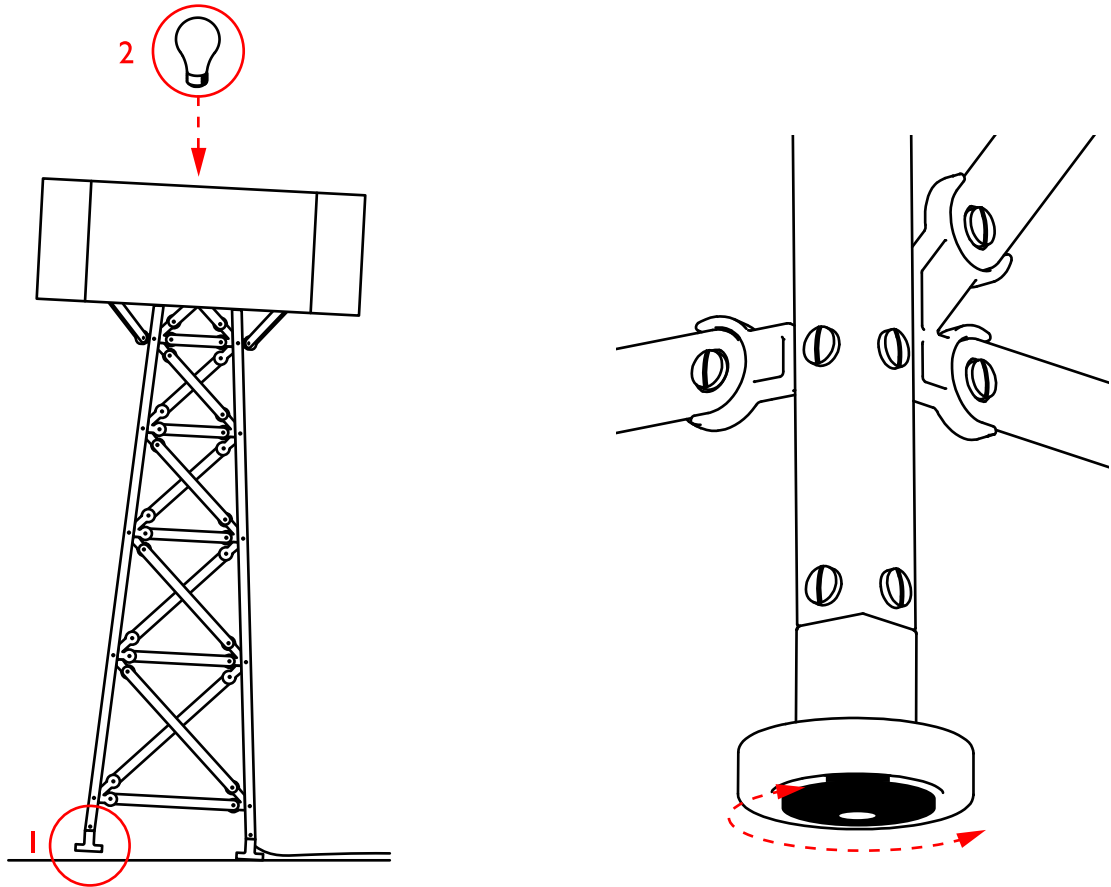


m o o o i

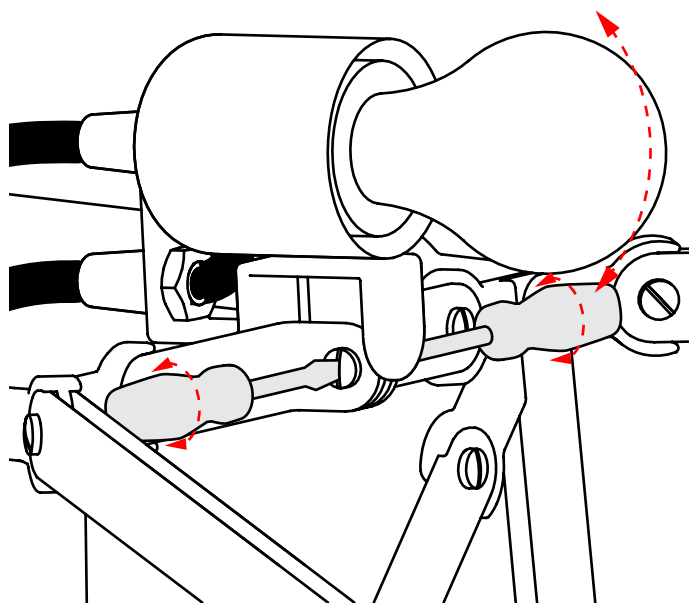
CONSTRUCTION LAMP

REFER TO SAFETY INSTRUCTIONS FOR GENERAL INFORMATION

1



2



IMPORTANT SAFETY INSTRUCTIONS

This portable luminaire has a polarized plug (one blade is wider than the other) as a feature to reduce the risk of electric shock. This plug will fit in a polarized outlet only one way. If the plug does not fully fit in the outlet, reverse the plug. If it still does not fit, contact a qualified electrician. Never use an extension cord plug unless the plug can be fully inserted. Do not alter the plug in any way.

visit www.mooui.com for more information about the collection