

INSTALLATION INSTRUCTION

Cloud - Bath

WS-3418



MODERN FORMS
A WAC LIGHTING COMPANY

WARNING

IMPORTANT: NEVER attempt any work without shutting off the electricity.

- Read all instructions before installing.
- System is intended for installation by a qualified electrician in accordance with the National Electrical Code and local regulations.
- Go to the main fuse box, or circuit breaker. Place the main power switch in the "OFF" position and unscrew the fuse(s) or switch "OFF" the circuit breaker switch(es) that control the power to the fixture or room that you are working on.
- Place the wall switch in the "OFF" position.

CAUTION

- All parts must be used as indicated in these instructions. Do not substitute any parts, leave parts out, or use any parts that are worn out or broken. Failure to follow this instruction could invalidate the ETL/CETL listing of this fixture.
CAUTION When handling the fixture, do not apply pressure to the LEDs. Hold the fixture by the base only.

AVERTISSEMENT

IMPORTANT : Coupez l'électricité avant TOUTE manipulation.

- Lisez toutes les instructions avant d'installer.
- Système est destiné à être installé par un électricien qualifié en conformité avec le code national de l'électricité et les règlements locaux.
- Accédez au panneau central de disjoncteurs ou de fusibles de votre demeure et placez l'interrupteur principal en position d'arrêt (« OFF »).
- Placez l'interrupteur mural en position d'arrêt (« OFF »).

MISE EN GARDE

- Toutes les pièces doivent être utilisées tel qu'il est indiqué dans ces instructions. Ne remplacez pas les pièces, n'en laissez pas de côté et ne les utilisez pas si elles sont usées ou brisées. Le non-respect de ces instructions peut annuler l'homologation ETL/CETL du luminaire. MISE EN GARDE Ors de la manipulation de l'appareil, ne pas appliquer de pression à la LED, tenir l'appareil par la seule base.

ADVERTENCIA

IMPORTANTE: NUNCA intente hacer trabajos sin desconectar el suministro eléctrico.

- Lea y comprenda todas las instrucciones e ilustraciones por completo antes de proceder con el ensamblaje e instalación de esta lámpara.
- Sistema está diseñado para ser instalado por un electricista calificado, de acuerdo con el código eléctrico nacional y las normas locales.
- Diríjase a la caja de fusibles o a la caja del interruptor de circuito principal en su hogar. Coloque el interruptor de alimentación principal en la posición "OFF" (APAGADO).
- Coloque el interruptor de la pared en la posición "OFF" (APAGADO).

PRECAUCIÓN

- Todas las piezas deben usarse como lo indican estas instrucciones. No reemplace las piezas, no omita piezas durante la instalación ni utilice piezas gastadas o rotas. El incumplimiento de esta indicación podría invalidar la calificación ETL/CETL esta lámpara. PRECAUCIÓN Al manipular el aparato, no aplique presión a los LED, mantenga el aparato en la base sólo.

HARDWARE

A1	B1	C1	D1	E1	F1	G1	H1	I1	J1
Wire Connector Qty: 3pcs 7EAC112201	Junction Box Screw Qty: 2pcs +1 Extra 7MPF0415C2 #8-32x9/16 SS	Set Screw Qty: 4pcs +1 Extra 7MPF0408S3 5/32"-32x5/16 Nickel Plating	Glass Holder Qty: 2pcs 4MZH110275CH (CH)	Wood Screw Qty: 2pcs 7MPF2204J2 Ø4x22mm Nickel Plating	Plastic Anchor Qty: 2pcs 7TDD082401	Plastic Washer Qty: 4pcs +1 Extra 7MPH105501	Iron Washer Qty: 4pcs +1 Extra 7MPH1004F01NI	Hex Flange Nut Qty: 4pcs +1 Extra 7MPM0803C2	Knurled Nut Qty: 2pcs 7MPM031001NI

Modern Forms

www.modernforms.com
Phone (800) 526.2588 • Fax (800) 526.2585

Headquarters/Eastern Distribution Center

44 Harbor Park Drive • Port Washington, NY 11050
Phone (516) 515.5000 • Fax (516) 515.5050

Western Distribution Center

1750 Archibald Ave • Ontario, CA 91761
Phone (800) 526.2588 • Fax (800) 526.2585



INSTALLATION INSTRUCTION

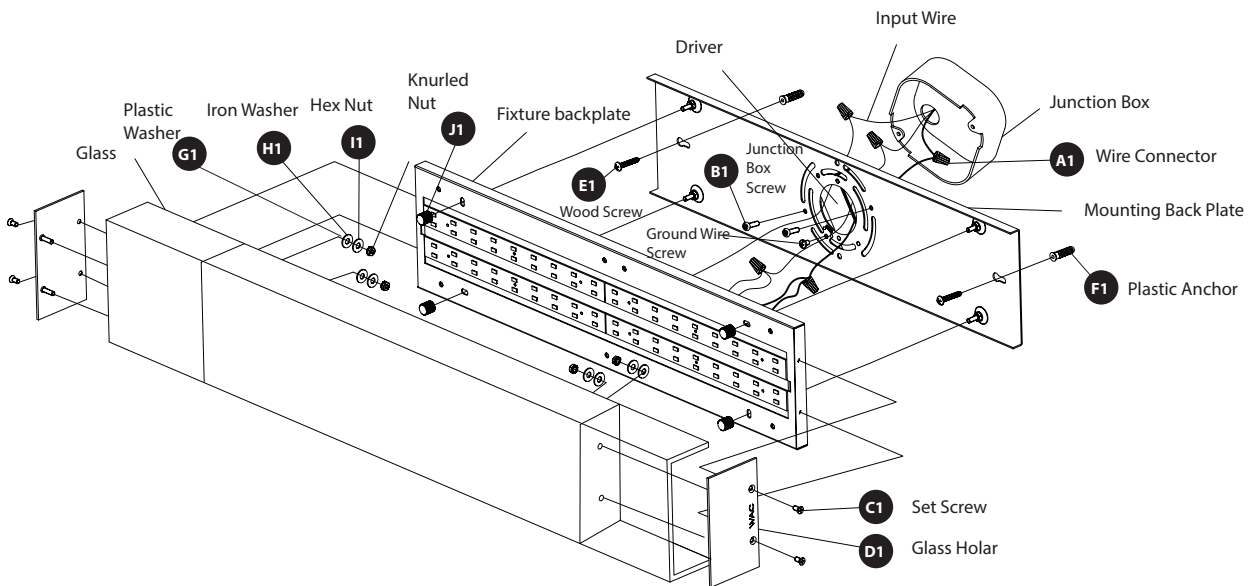
Cloud - Bath

WS-3418



MODERN FORMS
A WAC LIGHTING COMPANY

Fig. 1



PREPARATION

- Shut off the power at the circuit breaker and remove existing fixture, including the mounting hardware.
- Carefully unpack your new fixture and lay out all the parts on a clear area. Be careful not to lose any small parts necessary for installation.

CONNECTING THE WIRES (FIG. 2)

1. Remove the knurled nut (J1) and fixture back plate from the mounting back plate. Remove wire connectors (A1).
2. Connect the Driver's input wires to junction box wires as shown in **Fig. 2**, making sure that all wire connectors are secured. If your outlet box has a green or bare copper ground wire, connect the fixture's ground wire to it. Otherwise, connect the fixture's ground wire directly to the back plate using the green screw provided. After wires are connected, tuck them carefully inside the junction box.

***Requires Driver to be recessed within the junction box**

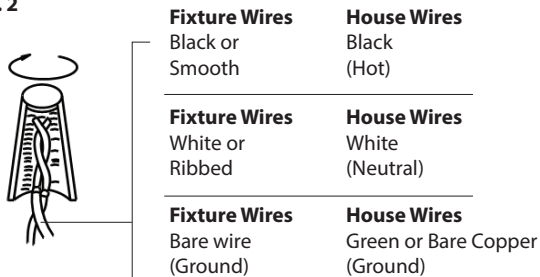
MOUNTING THE FIXTURE (FIG. 2)

3. Secure the mounting back plate to the junction box using junction box screws (B1). The side of the mounting back plate marked "GND" must face out.
4. Secure the mounting back plate to wall using the wood screws (E1) and the plastic anchors (F1).
5. Secure the fixture back plate onto mounting back plate with knurled nut (J1).

COMPLETING THE INSTALLATION (FIG. 1)

6. Secure the glass holder (D1) to the glass using plastic washer (G1), iron washer (H1) and hex nut (I1).
7. Place the glass onto the fixture back plate and secure with set screw (C1).

Fig. 2



Modern Forms
www.modernforms.com
Phone (800) 526.2588 • Fax (800) 526.2585

Headquarters/Eastern Distribution Center
44 Harbor Park Drive • Port Washington, NY 11050
Phone (516) 515.5000 • Fax (516) 515.5050

Western Distribution Center
1750 Archibald Ave • Ontario, CA 91761
Phone (800) 526.2588 • Fax (800) 526.2585



INSTALLATION INSTRUCTION

Cloud

WS-3428, WS-3436



MODERN FORMS
A WAC LIGHTING COMPANY

WARNING

IMPORTANT: NEVER attempt any work without shutting off the electricity.

- Read all instructions before installing.
- System is intended for installation by a qualified electrician in accordance with the National Electrical Code and local regulations.
- Go to the main fuse box, or circuit breaker. Place the main power switch in the "OFF" position and unscrew the fuse(s) or switch "OFF" the circuit breaker switch(es) that control the power to the fixture or room that you are working on.
- Place the wall switch in the "OFF" position.

CAUTION

- All parts must be used as indicated in these instructions. Do not substitute any parts, leave parts out, or use any parts that are worn out or broken. Failure to follow this instruction could invalidate the ETL/CETL listing of this fixture. CAUTION When handling the fixture, do not apply pressure to the LEDs. Hold the fixture by the base only.

AVERTISSEMENT

IMPORTANT : Coupez l'électricité avant TOUTE manipulation.

- Lisez toutes les instructions avant d'installer.
- Système est destiné à être installé par un électricien qualifié en conformité avec le code national de l'électricité et les règlements locaux.
- Accédez au panneau central de disjoncteurs ou de fusibles de votre demeure et placez l'interrupteur principal en position d'arrêt (« OFF »).
- Placez l'interrupteur mural en position d'arrêt (« OFF »).

MISE EN GARDE

- Toutes les pièces doivent être utilisées tel qu'il est indiqué dans ces instructions. Ne remplacez pas les pièces, n'en laissez pas de côté et ne les utilisez pas si elles sont usées ou brisées. Le non-respect de ces instructions peut annuler l'homologation ETL/CETL du luminaire. MISE EN GARDE Ors de la manipulation de l'appareil, ne pas appliquer de pression à la LED, tenir l'appareil par la seule base.

ADVERTENCIA

IMPORTANTE: NUNCA intente hacer trabajos sin desconectar el suministro eléctrico.

- Lea y comprenda todas las instrucciones e ilustraciones por completo antes de proceder con el ensamblaje e instalación de esta lámpara.
- Sistema está diseñado para ser instalado por un electricista calificado, de acuerdo con el código eléctrico nacional y las normas locales.
- Diríjase a la caja de fusibles o a la caja del interruptor de circuito principal en su hogar. Coloque el interruptor de alimentación principal en la posición "OFF" (APAGADO).
- Coloque el interruptor de la pared en la posición "OFF" (APAGADO).

PRECAUCIÓN

- Todas las piezas deben usarse como lo indican estas instrucciones. No reemplace las piezas, no omita piezas durante la instalación ni utilice piezas gastadas o rotas. El incumplimiento de esta indicación podría invalidar la calificación ETL/CETL esta lámpara. PRECAUCIÓN Al manipular el aparato, no aplique presión a los LED, mantenga el aparato en la base sólo.

HARDWARE

A1



Wire Connector
Qty: 3 + 1 Extra
7EAC112201

B1



Junction Box
Screw
Qty: 2pcs+ 1 Extra
7MPF0415C2
#8-32x9/16 SS

C1



Mounting Screw
Qty: 4pcs+1 Extra
7MPF0408S3
5/32-32x5/16
Nickel Plating

D1



Rubber Gasket
Qty: 1 Extra
4MZH110275CH

E1



Wood Screw
Qty: 2pcs+1 Extra
7MPF2204J2
4X22

F1



Plastic Anchor
Qty: 2pcs+1 Extra
7TDD082401

G1



Plastic Washer
Qty: 4pcs+1 Extra
7MPH105501

H1



Iron Washer
Qty: 4pcs+1 Extra
7MPH1004F01NI

I1



Hex flange Nut
Qty: 4pcs+1 Extra
7MPM0803C2

J1



Knurled Nut
Qty: 1 Extra
7MPF318502

Modern Forms

www.modernforms.com
Phone (800) 526.2588 • Fax (800) 526.2585

Headquarters/Eastern Distribution Center

44 Harbor Park Drive • Port Washington, NY 11050
Phone (516) 515.5000 • Fax (516) 515.5050

Western Distribution Center

1750 Archibald Ave • Ontario, CA 91761
Phone (800) 526.2588 • Fax (800) 526.2585



INSTALLATION INSTRUCTION

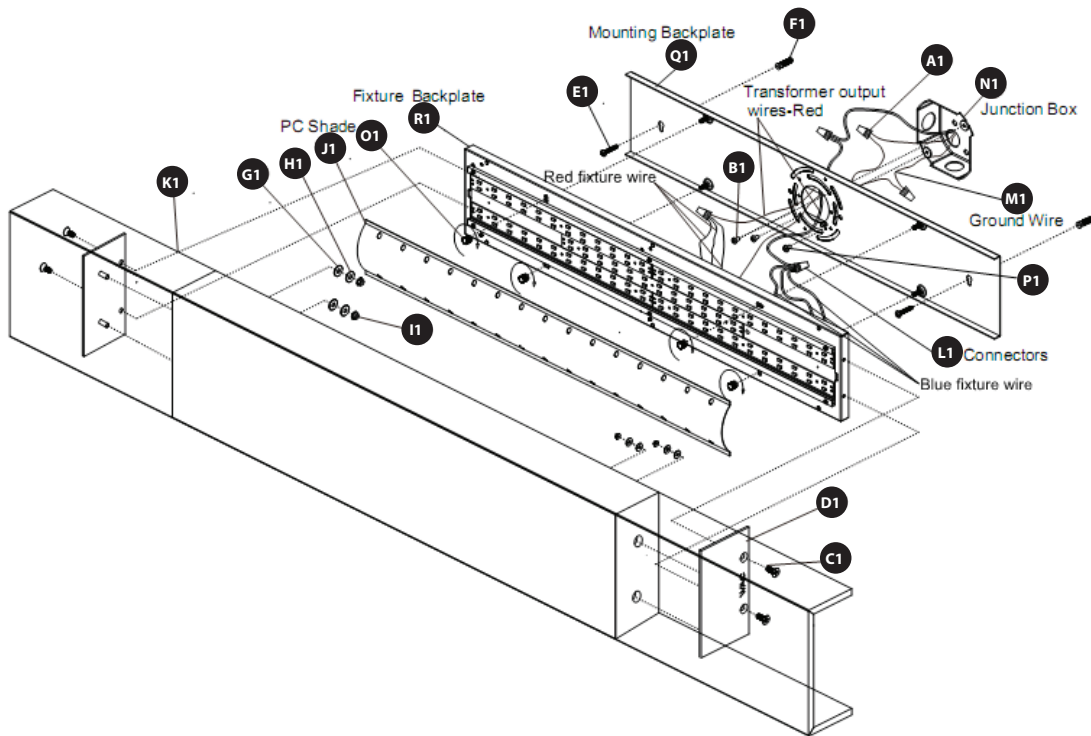
Cloud

WS-3428, WS-3436



MODERN FORMS
A WAC LIGHTING COMPANY

FIG.1



PREPARATION

1. Shut off the power at the circuit breaker and remove existing fixture, including the crossbar.
2. Carefully unpack your new fixture and lay out all the parts on a clear area. Be careful not to lose any small parts necessary for installation.

CONNECTING THE WIRES (Fig. 2)

3. Remove screws (O1) and fixture backplate (R1) from the mounting backplate (Q1). Remove wire connectors (L1).
4. Connect the transformer's input wires to junction box wires as shown in Fig. 2, making sure that all wire connectors (A1) are secured. If your outlet box has a green or bare copper ground wire (M1), connect the fixture's ground wire to it. Otherwise, connect the fixture's ground wire directly to the back plate (Q1) using the green screw provided. After wires are connected, tuck them carefully inside the junction box.

***Requires Transformer to be recessed within the junction box**

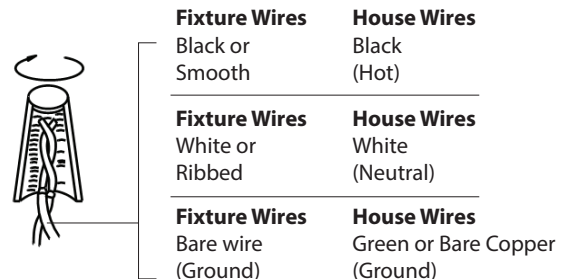
MOUNTING THE FIXTURE (Fig. 1)

5. Secure the mounting backplate (Q1) to the junction box (N1) using junction box screws (B1). The side of the mounting backplate marked "GND" must face out.
6. Secure the mounting backplate (Q1) to wall using the screws (E1) and the plastic anchors (F1).
7. Connect the fixture's blue and red wires to the transformer's red output wires; blue to red; red to the other red. Use wire connectors (L1).
8. Secure the fixture backplate (R1) onto mounting backplate (Q1) with screws (O1).
9. Place the pc shade (J1) onto the fixture to cover the led.

COMPLETING THE INSTALLATION (Fig. 1)

10. Secure the end cap (D1) to the glass (K1) using washer (GG/HH) and hex flange nut (I1).
11. Place the glass (K1) onto the fixture backplate (R1) and secure with screws (C1).

Fig.2 Wiring



Modern Forms
www.modernforms.com
Phone (800) 526.2588 • Fax (800) 526.2585

Headquarters/Eastern Distribution Center
44 Harbor Park Drive • Port Washington, NY 11050
Phone (516) 515.5000 • Fax (516) 515.5050

Western Distribution Center
1750 Archibald Ave • Ontario, CA 91761
Phone (800) 526.2588 • Fax (800) 526.2585

