

FLOS

FU157009 White

Clara

Designed by Piero Lissoni, 2015

55W - 3141lm - 2700K



Are you a professional and your project needs consulting and support?

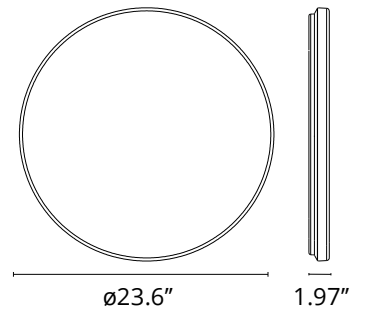
[BOOK AN APPOINTMENT](#)

Main specifications

EAN	8059607027981
Mounting	Ceiling and wall surface
Environments	Indoor dry location
Light Source Type	LED
LED type	LED Module
Power (W)	55
System flux (lm)	3141

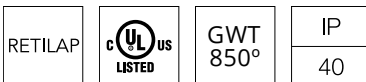
Physical

Color	White
Net weight (lb)	6.62
Package height (in)	4.33
Package width (in)	26.38
Package length (in)	26.77
Package volume (in)	3058.26
IP internal	40



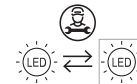
Download

[Mounting instructions](#)



Ecodesign and Energy Labelling

This product contains a light source of energy efficiency class F



Replaceable (LED only)
light source by a
professional

Photometric

Lighting type	Total
Light distribution	Roto symmetric
CCT (K)	2700

Electrical

Insulation class	II
Frequency (Hz)	60
Main voltage (Vac)	120
Driver	Integrated
Dimmable	Yes
Dimming type	Mains Cut Dimming
Dimming interface	Remote Dimmable (Dimmer Not Included)
Batteries inside	No

Accessories & Power Supply



OPTIONAL

F1571000

Clara Frieze



OPTIONAL

F1571015

Clara Frieze



OPTIONAL

F1571030A

Clara Frieze



OPTIONAL

F1571057

Clara Frieze

Spare Parts



- | | | |
|-----|---|-----------|
| 01. | Kit diffuser | RF1570200 |
| 02. | Kit of n.4 screws & hexagonal screwdriver | RF1570100 |



RF1570200

Kit diffuser



RF1570100

Kit of n.4 screws & hexagonal
screwdriver