

cerno®



DESIGNED AND MADE IN CALIFORNIA

Spero Sconce



black / black leather



brass / brown leather



distressed brass / black leather



white / tan leather

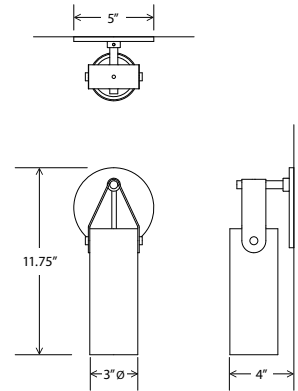


white / tan leather detail



brass / brown leather detail

Spero sconce



Dimensions: 5" x 11.75" x 4"
 Product weight: 2lb
 Light source: medium base E26 socket
 Lamping: E26 base, PAR20 lamp, 20 W max
 Input voltage: 250 V AC max
 Specifications subject to change



Spero Sconce part # 03-260- -

Standard Combinations

black / black leather
 brass / brown leather
 distressed brass / black leather
 white / tan leather

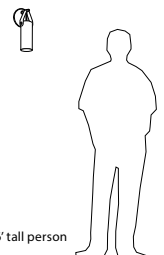
B
 R
 D
 W

Bulb Options

PAR20 LED bulb included -
 2700 K, 90CRI, 40 degree flood
 no bulb included

27
 00

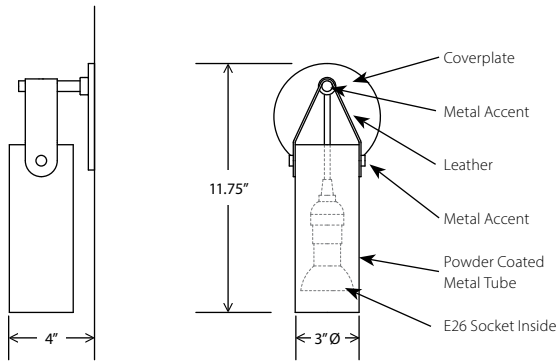
**For expanded offering see
 Specification Sheet.**



6' tall person

The Spero sconce illustrates a minimalist mindset without sacrificing design details that define the fixture. Pronounced metal accents join the leather strap to the shade, adding a balanced contrast between the different elements. The bottom aperture allows the delivery of ample light while shielding the rest of the space from glare.

▲WARNING. California Proposition 65 Warning for California Consumers. This product can expose you to chemicals including wood dust and lead which are known to the State of California to cause cancer or birth defects or other reproductive harm. For more information go to www.P65Warnings.ca.gov



Standard combinations on the previous page are stocked. Fixture specified by using the SKU builder below are subject to increased lead times and minimum order quantities.

Spero Sponce part # 03-260-

Shade Finish

- textured black powder coat (CM-049)
- textured white powder coat (CM-060)
- brushed brass (CM-120)
- distressed brass (CM-117)

Metal Accent Finish

- textured black powder coat (CM-049)
- textured white powder coat (CM-060)
- brushed brass (CM-120)
- distressed brass (CM-117)

Coverplate Finish

- textured black powder coat (CM-049)
- textured white powder coat (CM-060)
- brushed brass (CM-120)
- distressed brass (CM-117)

Leather Finish

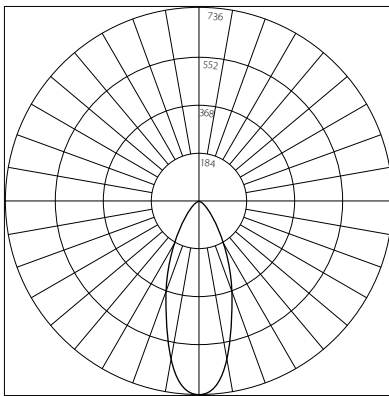
- brown leather (CM-098)
- black leather (CM-127)
- tan leather (CM-128)

Bulb Options

- PAR20 LED bulb included - 2700 K, 90CRI, 40 degree flood, 6.5 W, 650 lumens
- no bulb included

B	
W	
R	
D	
B	
W	
R	
D	
B	
W	
R	
D	
R	
B	
T	
27	
00	

PHOTOMETRIC POLAR GRAPH



Maximum Candela = 736
 Located at
 Horizontal Angle = 0,
 Vertical Angle = 0

Output for 40 degree flood PAR20 bulb.
 Actual output will vary if a different bulb type is installed.

TECHNICAL SPECIFICATIONS

Light source: medium base E26 socket
 Lamping: 1x E26 base, PAR20 lamp, 20 W max
 Input Voltage: 250 V AC max

Specifications subject to change



Included PAR20 LED bulb specifications (optional)
 Light output: 520 Lumens (source)
 Light color: 2700 K
 Color accuracy: 90+ CRI
 Power usage: 6.5 W
 Dimmability: Triac or ELV

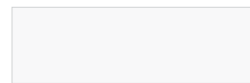
FINISHES



textured black powder coat (CM-049)



brushed brass (CM-120)



textured white powder coat (CM-060)



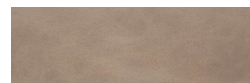
distressed brass (CM-117)



black leather (CM-127)



brown leather (CM-098)



tan leather (CM-128)

WARNING. California Proposition 65 Warning for California Consumers. This product can expose you to chemicals including wood dust and lead which are known to the State of California to cause cancer or birth defects or other reproductive harm. For more information go to www.P65Warnings.ca.gov