


General Product information 

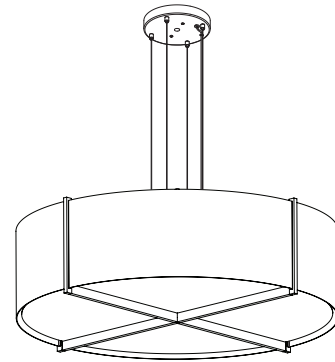
This product is suitable for indoor dry and damp locations only.

This product is to be installed to a 4" square junction box with a 3" round plaster ring or an octagon junction box.

Bulb and Dimmability Notes:

GU-24 Version: The ability to dim the fixture will depend on the type of bulb selected. The GU-24 version of this fixture accepts GU-24 based lamps (not included). Ensure that the lamps do not exceed the maximum rated wattage listed on socket.

LED Version: Fixture can be dimmed with TRIAC, ELV, or 0-10V dimming at 120VAC input. For 240 or 277VAC input, fixture is only dimmable with 0-10V dimming. Wiring details are outlined on second page of instructions.



**CAUTION - RISK OF FIRE**

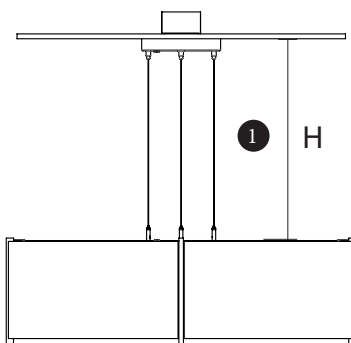


This product requires installation by a qualified electrician. Before installing be sure to read all instructions and **TURN POWER OFF TO THE JUNCTION BOX**

**All Models**

**Adjusting the Fixture Height**

- 1 Place the shiny side of the top diffuser over the cross assembly. Measure the desired height (H) that you want the fixture to hang below the ceiling.
- 2 Adjust the length of the suspension cables to roughly the desired length by pushing them into the side-exit cable grippers located on top of the cross assembly. Final adjustments can be made after the fixture is mounted.



**GU-24 Model Only**

**Mounting the Fixture**

- 3 Fasten the universal crossbar to the ceiling junction box using the included #8-32 x 3/4" machine screws.
- 4 Pull line voltage wires through crossbar. Feed the clear power cord coming from the cross assembly through the top diffuser and then through the strain relief hole in the canopy and make connections between line voltage wires and power cord.
- 5 After electrical connections have been made, place wire connections and excess wire into the junction box.
- 6 Fasten the canopy to the universal crossbar using the included #8-32 x 1.75" screws.

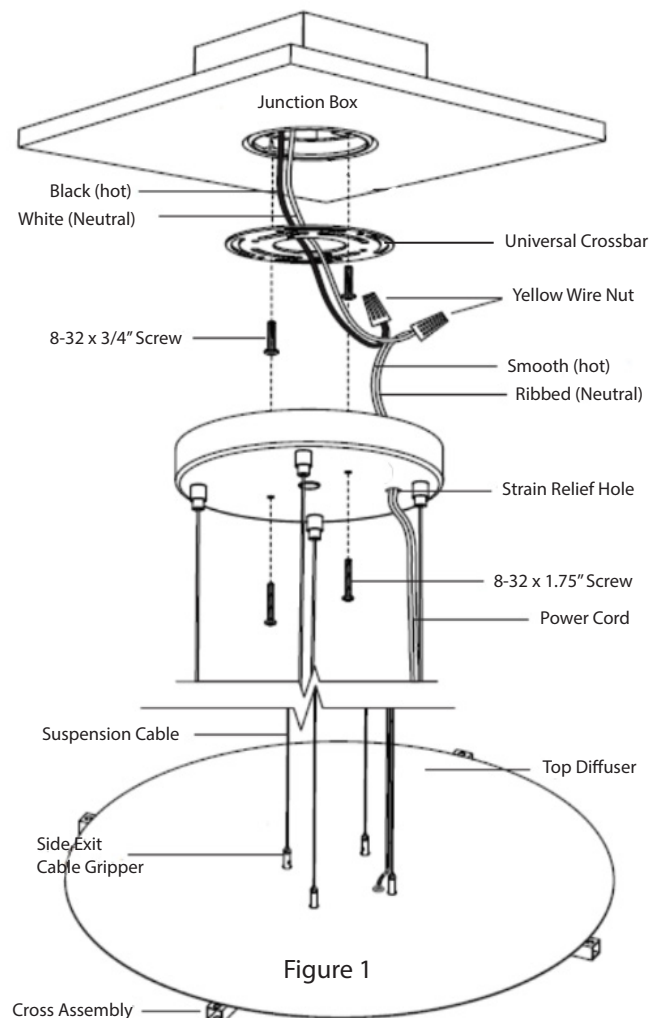


Figure 1

LED Model Only

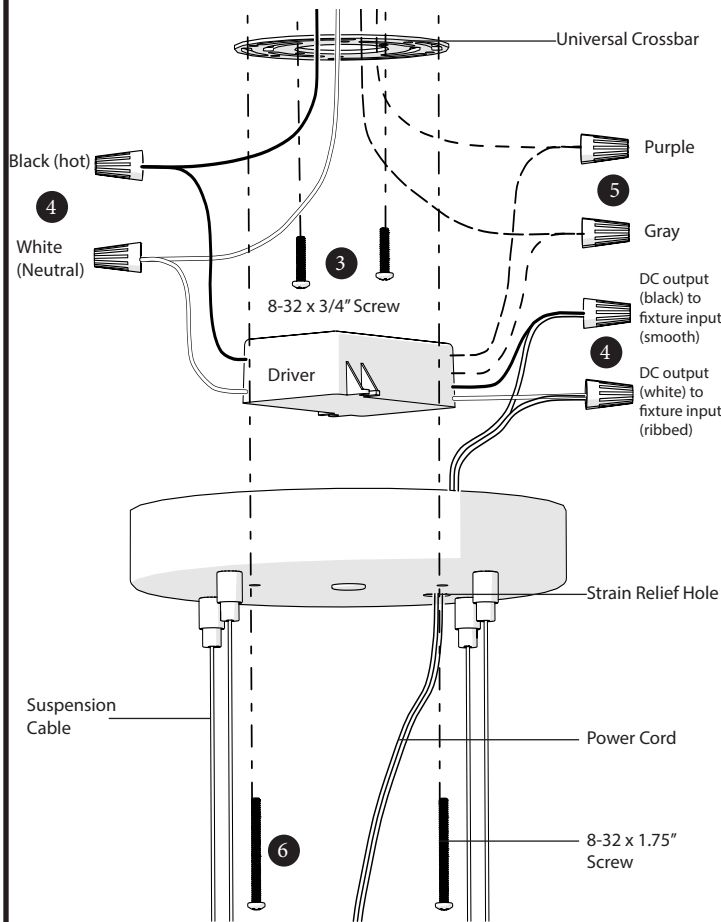
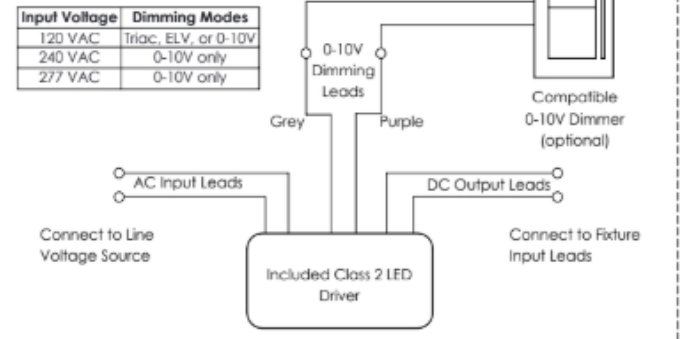


Figure 2

- 3 Fasten the universal crossbar to the ceiling junction box using the included #8-32 x 3/4" machine screws.
  - 4 Pull line voltage wires out of the junction box. Feed the clear power cord coming from the cross assembly through the top diffuser and then through the strain relief hole in the canopy and make connections between line voltage wires, driver, and power cord.
  - 5 **CRITICAL NOTE:** If 0-10V dimming control is to be used, connect purple and gray driver leads to 0-10V dimmer. Otherwise, the tinned ends of the leads should be snipped off and the leads should be capped individually such that they remain isolated from one another.
- Once all connections have been made, push all excess wire connections into the junction box.
- 6 The universal crossbar has two tapped #8-32 holes near its outer perimeter. Fasten the Canopy Assembly to the universal crossbar using the included #8-32 x 1.75" machine screws.

Dimming Notes

Input Voltage	Dimming Modes
120 VAC	Triac, ELV, or 0-10V
240 VAC	0-10V only
277 VAC	0-10V only



Leveling the Fixture

- 7 Level the fixture by making small adjustments to the length of each suspension cable. Pressing the small cylinder on top of the side-exit cable grippers will release the grip on the suspension cable.
- 8 Once the fixture is set at the correct height and is leveled, squeeze the black strain relief onto the clear power cord and press into the strain relief hole in the canopy. Once properly installed, the power cord should be held tightly and can not be pulled from the canopy.

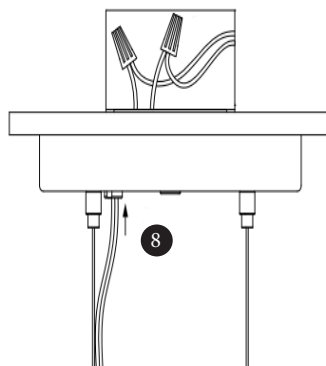


Figure 3

8A GU-24 Model Only

Once the cross assembly is suspended and leveled, install the GU-24 base bulbs (not included) into the four GU-24 sockets within the fixture

All Models

Installing Shade

- 9 Raise the shade so that the four hooks are above the ends of the aluminum beams. Rotate and lower the shade so that the ends of the hooks fall into the holes located on top of the aluminum beams.

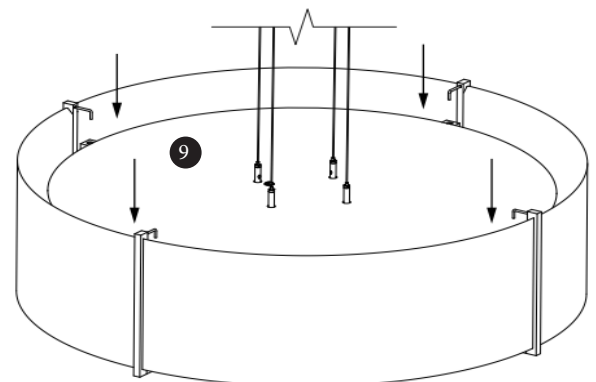


Figure 4