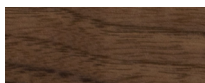


Plura flush mount

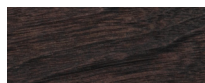


The Plura is a simple, straight forward fixture that is excellently executed. With the Plura it was about resolving the seams and edges and their relationships to one another. The result is a scalable fixture that has a sharp, sophisticated feel.

Nick Sheridan, Designer



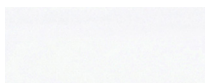
walnut (CM-001)



dark stained walnut (CM-002)



white washed oak (CM-095)



frosted polymer (CM-051)



matte black (CM-085) with matte white interior



brushed aluminum (CM-012)



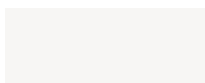
brushed rose gold (CM-046)



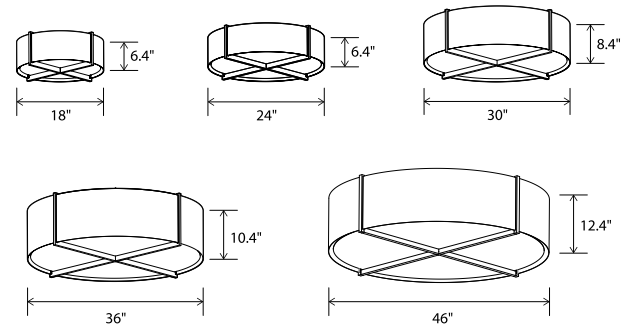
brushed brass (CM-047)



distressed brass (CM-096)



gloss white (CM-054)



Dimensions:

Plura 18: 18" Ø, 6.4"

Plura 24: 24" Ø, 6.4"

Plura 30: 30" Ø, 8.4"

Plura 36: 36" Ø, 10.4"

Plura 46: 46" Ø, 12.4"

Materials: solid wood, polymer

Product weight:

Plura 18: 5 lb

Plura 24: 6 lb

Plura 30: 9 lb

Plura 36: 13 lb

Plura 46: 20 lb

Integrated LED Specifications

Light output:

Plura 18 & 24: 1690 Lumens (source)

Plura 30, 36, & 46: 2815 Lumens (source)

Light color: 2700 K, 3000 K, 3500 K, or 4000 K

Color accuracy: 90+ CRI

Power usage:

Plura 18 & 24: 19.5 W

Plura 30, 36, & 46: 32.5 W

Dimmable (see driver below)

GU-24 Base Specifications

Light source:

Plura 18 & 24: 2x GU-24 base socket

Plura 30, 36, & 46: 4x GU-24 base socket

Lamping:

Plura 18 & 24: 2x GU-24 base self-ballasted bulbs, 18 W max each

Plura 30, 36, & 46: 4x GU-24 base self-ballasted bulbs, 18 W max each

Bulbs not included

Input voltage: 300 V AC max

Wood grain will vary

Specifications subject to change



UL LISTED

Emergency backup option available upon request.

Also available in a pendant version.

MATERIAL & FINISH OPTIONS

Plura flush mount part # 08-100-

Size

18" Ø

18

24" Ø

24

30" Ø

30

36" Ø

36

46" Ø

46

Wood Body

walnut (CM-001)

dark stained walnut (CM-002)

white washed oak (CM-095)

Shade Material

frosted polymer (CM-051)

matte black (CM-085) with matte white interior

brushed aluminum (CM-012)

brushed rose gold (CM-046)

brushed brass (CM-047)

distressed brass (CM-096)

gloss white (CM-054)

Lamping

2700 K LED

3000 K LED

3500 K LED

4000 K LED

GU-24 base sockets

Driver (LED version only)

AC Input Voltage Range:

120-277 V

120 V input: TRIAC, ELV &

0-10 V dimmable

240 & 277 V input: only

0-10 V dimmable

Includes: frosted polymer (CM-051)

