

General Product Information

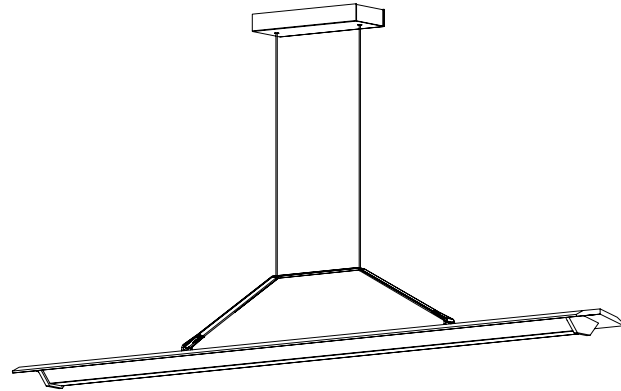
This product is suitable for damp locations.

This product is to be installed to a standard 4" junction box with 3" round plaster ring or an octagon junction box.



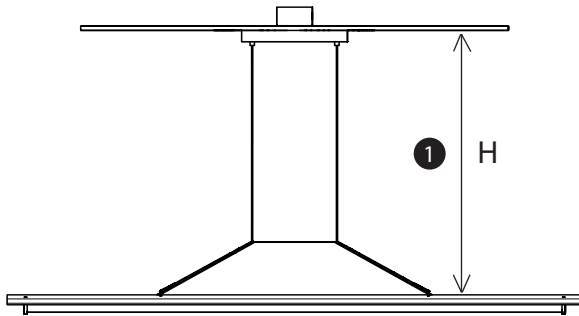
CAUTION - RISK OF FIRE

This product requires installation by a qualified electrician. Before installing be sure to read all instructions and **TURN POWER OFF TO THE JUNCTION BOX**

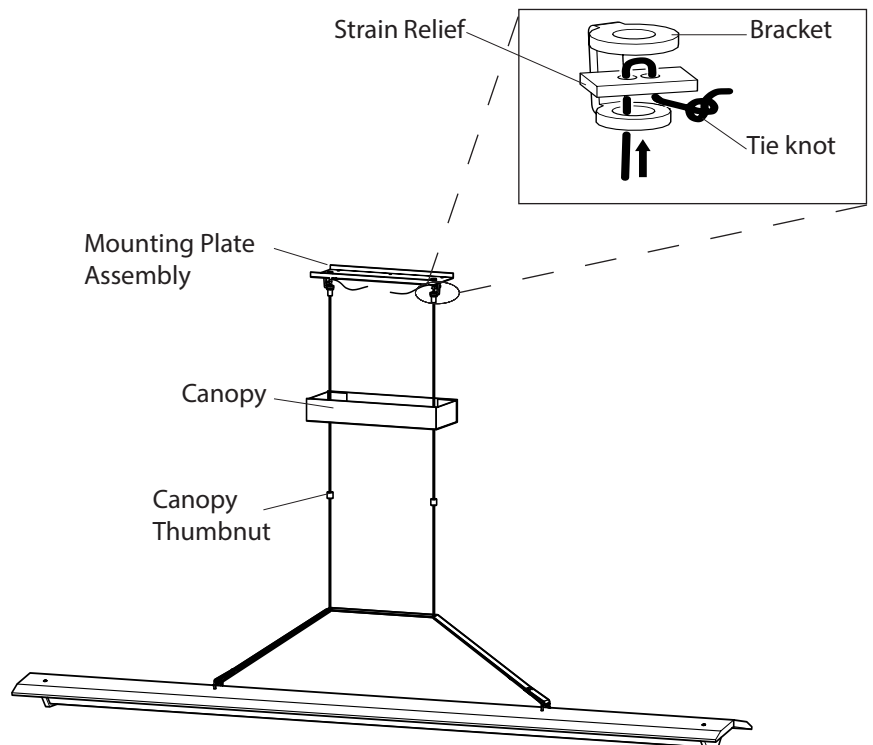


Adjusting the Fixture Height

- 1 Measure the desired height (H) of the fixture.

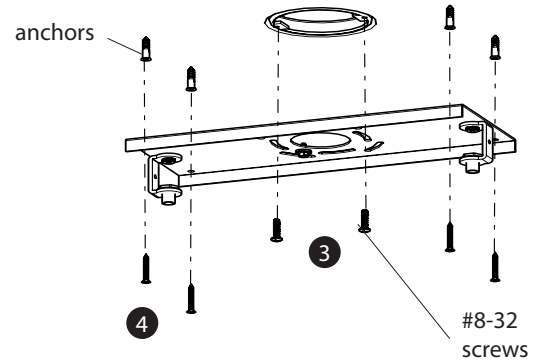


- 2 Feed the cables through the following parts in this order: canopy thumbnut, canopy, mounting plate bracket, and strain relief tab. After feeding the cable through the strain relief tab, tie a strain relief knot using the black mesh of the cable while maintaining the desired height (H).



Mounting the Fixture and Electrical Connections

- 3 Secure the mounting plate to the junction box using the #8-32 machine screws.
- 4 Fasten the mounting plate to the ceiling using the provided screws. (Optional) Use the backplate as a template for the provided anchors.



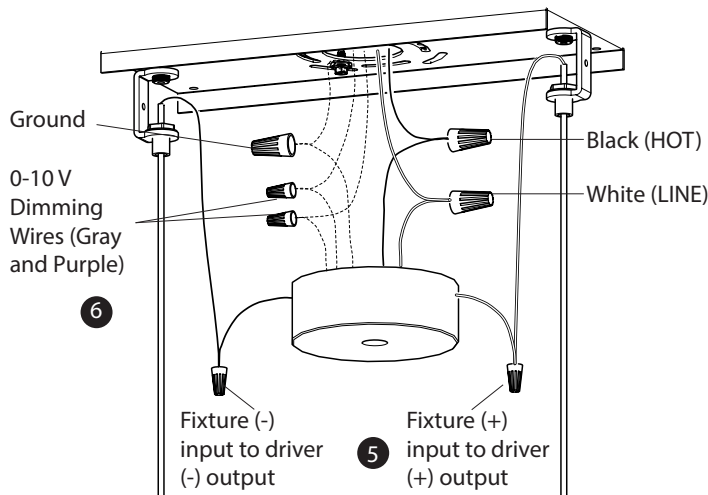
WARNING

The included anchors are supplied only as a convenience. It is the responsibility of the installer to verify that the installation conditions and hardware used are suitable for supporting the load of the fixture.

- 5 Pull the line voltage wires through the center hole in the mounting plate. Use wire nuts to make connections between line voltage wires and the driver. Use the ground screw on the mounting plate to ground the fixture.
- 6 (Optional) If 0-10V dimming control is to be used, connect purple and grey LED Driver leads to leads from remote 0-10V dimmer.

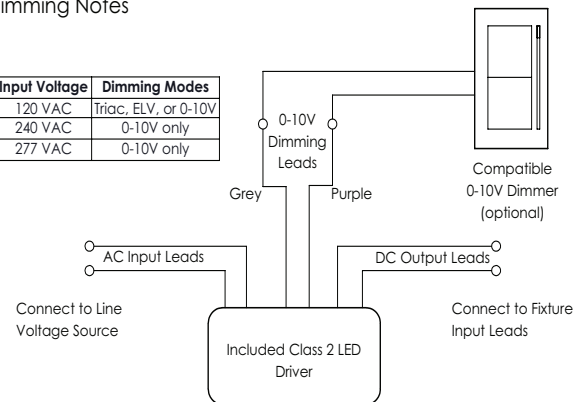
CRITICAL NOTE:

If 0-10V dimming is not being used, the tinned ends of the purple and grey LED Driver leads should be snipped off and these leads should be capped individually such that they remain isolated from one another.



Dimming Notes

Input Voltage	Dimming Modes
120 VAC	Triac, ELV, or 0-10V
240 VAC	0-10V only
277 VAC	0-10V only



Securing Canopy

- 7 After mounting the backplate onto the ceiling, place the canopy over the backplate and secure the canopy onto the backplate using the canopy thumb nuts.

Leather Care Note:

Apply general leather conditioner annually to the smooth side of the leather strap. Increase frequency of application if the fixture is regularly exposed to direct sunlight or elevated temperatures.

