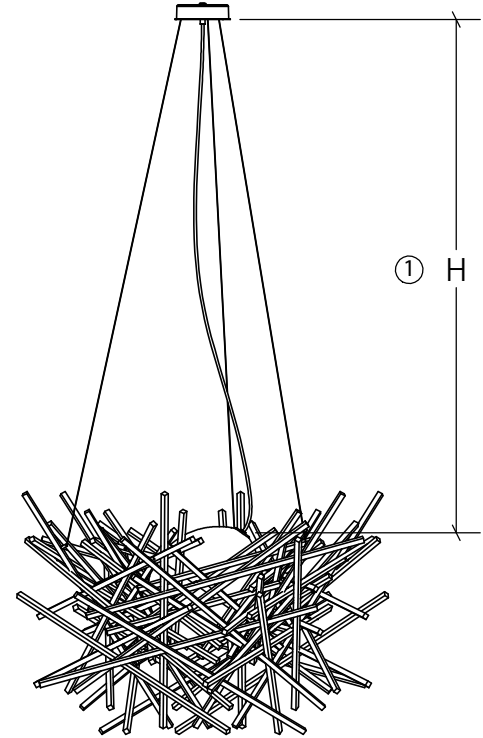
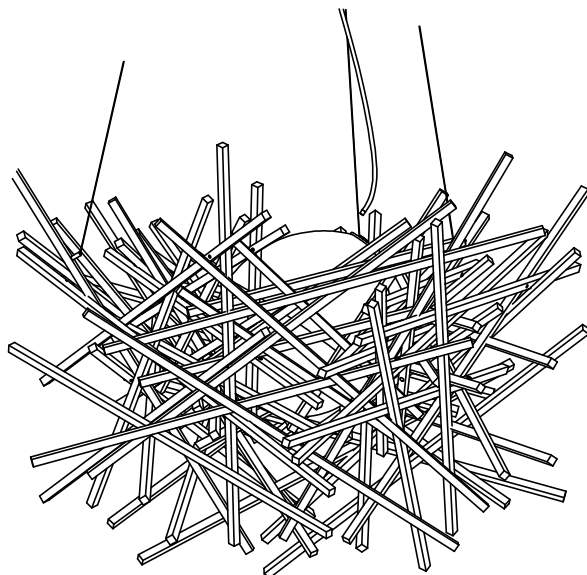
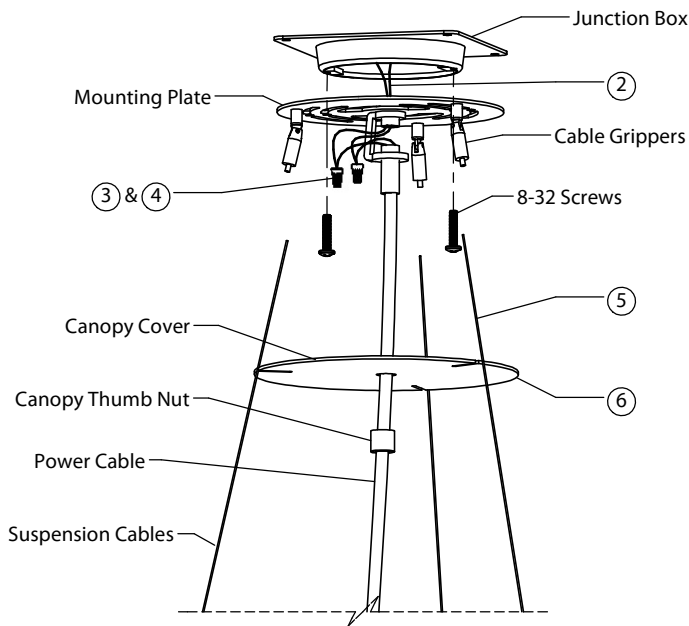


## General Product Information

This product is suitable for dry locations only.

**Junction Box Requirements:** This fixture can be mounted to most standard junction boxes. It is the installer's responsibility to ensure that the site conditions, junction box, and fasteners used are suitable to support the weight of the fixture.

Damage due to incorrect connections can be detected at the factory and is not covered under warranty.



### CAUTION - RISK OF FIRE

This product requires installation by a qualified electrician. Before installing be sure to read all instructions and **TURN POWER OFF TO THE JUNCTION BOX.**

- ① Measure the desired height (H) that you want the fixture to hang below the ceiling.
- ② Pull the line voltage wires through the mounting plate and install the mounting plate to the junction box using the supplied 8-32 screws.
- ③ Feed the power cable through the canopy thumb nut, cover plate, and canopy hicky.
- ④ Make electrical connection as shown using the supplied wire nuts and tighten the supplied strain relief to the desired height.

NOTE: The ribbed edge of the clear SPT wire is the neutral wire, and the smooth edge is the hot wire.

- ⑤ Feed the suspension cables through the cable grippers in the canopy and adjust to the desired height.
- ⑥ Slide the canopy cover and thumb nut up and attach to the canopy.

