



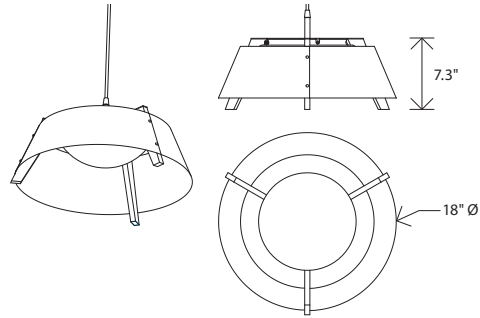
Casia Pendant 18, dark stain walnut, matte black with matte white interior



Casia detail

The Casia Pendant was a natural progression after releasing the Casia Flush Mount in early 2020. The wood arms, metal shade, and glass diffuser combine to create a minimalist form well suited for a modern environment or a traditional space. Each carefully selected material plays an integral role in the aesthetic design and performance.

Casia 18 pendant



Dimensions: 18" Ø, 7.3"
 Product weight: 4 lb
 Light output: minimum 1310 Lumens (source)
 See lamping options below
 Light color options*:
 2700 K - 1310 Lumens (source)
 3500 K - 1378 Lumens (source)
 Color accuracy: 90+ CRI
 Power usage: 15 W
 Dimmable (see power options below)
 Low profile round canopy with SVT-3 Cable
 Canopy dimensions: 5" Ø, 0.3"
 See website for more canopy information
 Field adjustable drop length: 0'6" min - 8'0" max
 Gloss White (CM-054) shade option ships with Textured White Powdercoat Canopy and SVT-3 Cable, White (CM-040)
 All other shade option ship with Textured Black Powdercoat (CM-049) and SVT-3 Cable, Black (CM-039)
 Wood grain will vary
 Specifications subject to change



MATERIAL & FINISH OPTIONS

Casia 18 pendant part # 06-280-18

Shade Material
 matte black (CM-085) with matte white interior
 distressed brass (CM-009)
 gloss white (CM-054)

Wood Body
 walnut (CM-001)
 dark stained walnut (CM-002)
 white washed oak (CM-095)

Lamping*
 2700 K LED - 1310 Lumens (source) 27
 3500 K LED - 1378 Lumens (source) 35

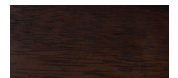
Power Option
 120-277 V AC input voltage
 TRIAC and ELV dimming P1



low-profile round canopy with braided cord



walnut (CM-001)



dark stained walnut (CM-002)



white washed oak (CM-095)



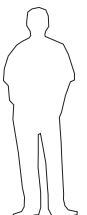
matte black (CM-085) with matte white interior



distressed brass (CM-009)



gloss white (CM-054)



Includes: white glass diffuser (CM-109)
 Available in flush mount version
 *Available in 3000K, 4000K and other color temperatures upon request