


General Product information 

This product is suitable for indoor dry locations only.



**CAUTION - RISK OF FIRE** 

This product requires installation by a qualified electrician. Before installing be sure to read all instructions and **TURN POWER OFF TO THE JUNCTION BOX**

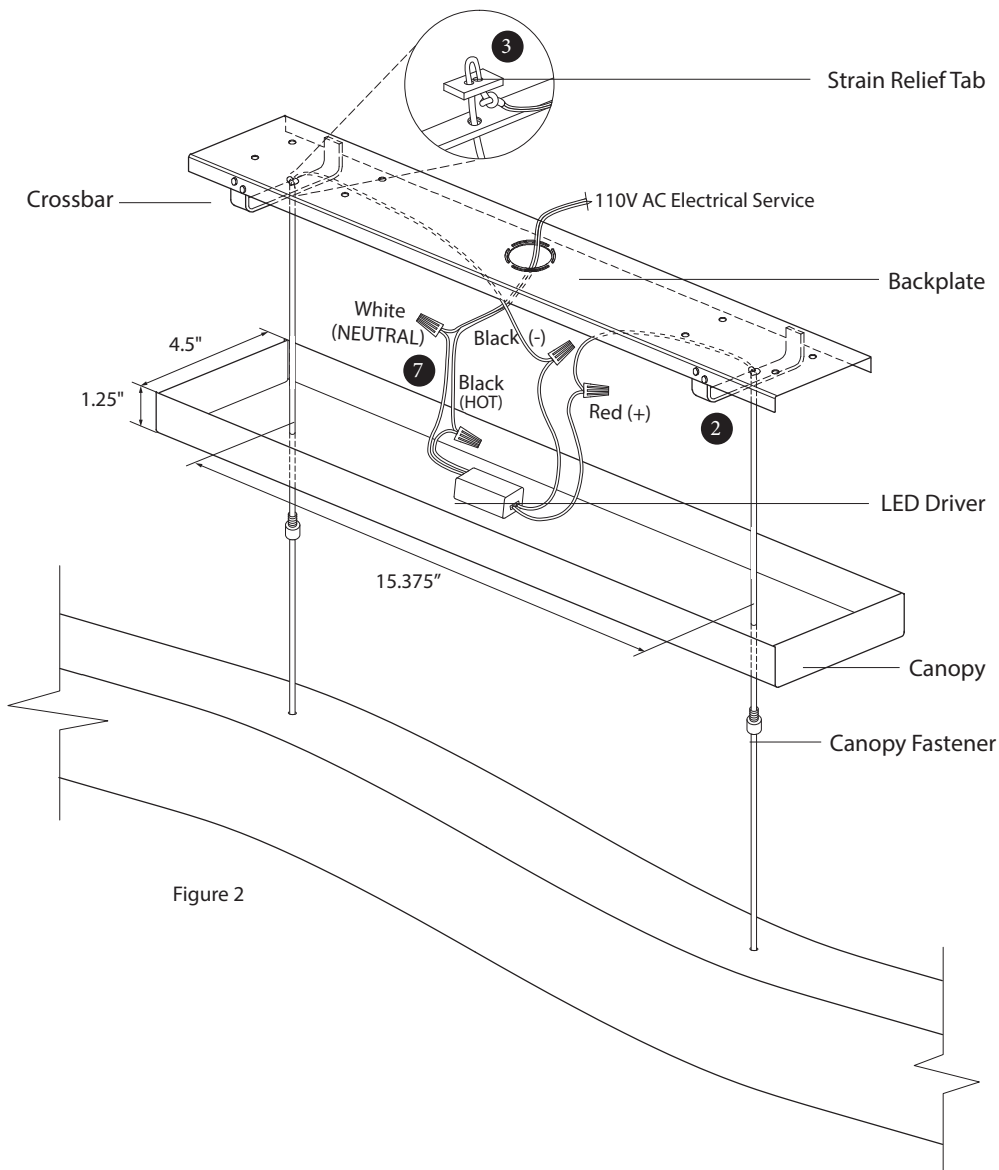
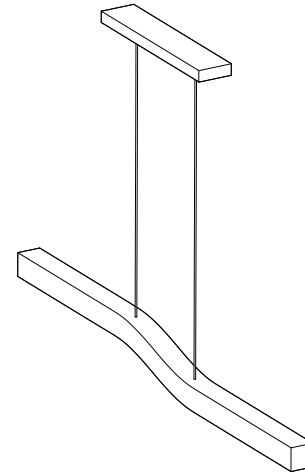


Figure 2

**Adjusting the Fixture Height**

- 1 Measure the desired height (H) that you want the fixture to hang below the ceiling.
- 2 Thread the cables through the canopy fasteners, canopy, and crossbars. (See Figure 2)
- 3 Feed wire through both holes of strain relief tab at the desired length H. Tie a knot in the cable to secure in place.

LED driver will come secured to backplate as shown in Figure 3. Picture below illustrates wiring connections to be done in step 7. Leave driver in original secured position.

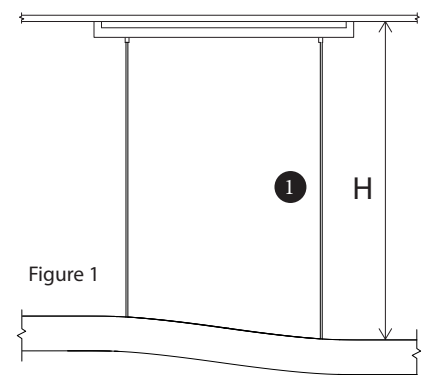


Figure 1

**WARNING**

THE LED DRIVER IS A DC DEVICE AND MUST BE ATTACHED TO THE LED LIGHT ENGINE AS SHOWN. CONNECTING THIS DEVICE INCORRECTLY WILL CAUSE SEVERE DAMAGE.

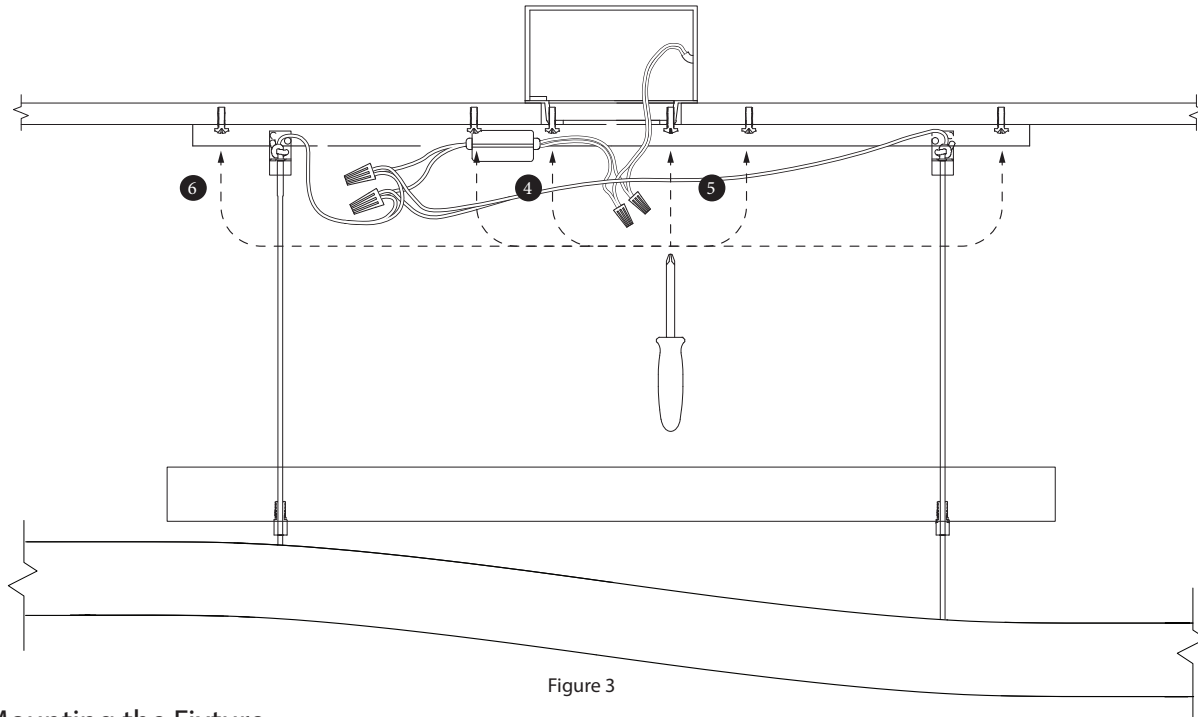


Figure 3

### Mounting the Fixture

- 4 Feed the power line wires through the hole in the center of the backplate.
- 5 Mount the backplate to the electrical box with the supplied #8-32 screws.
- 6 Secure the backplate to the ceiling using the additional mounting holes.

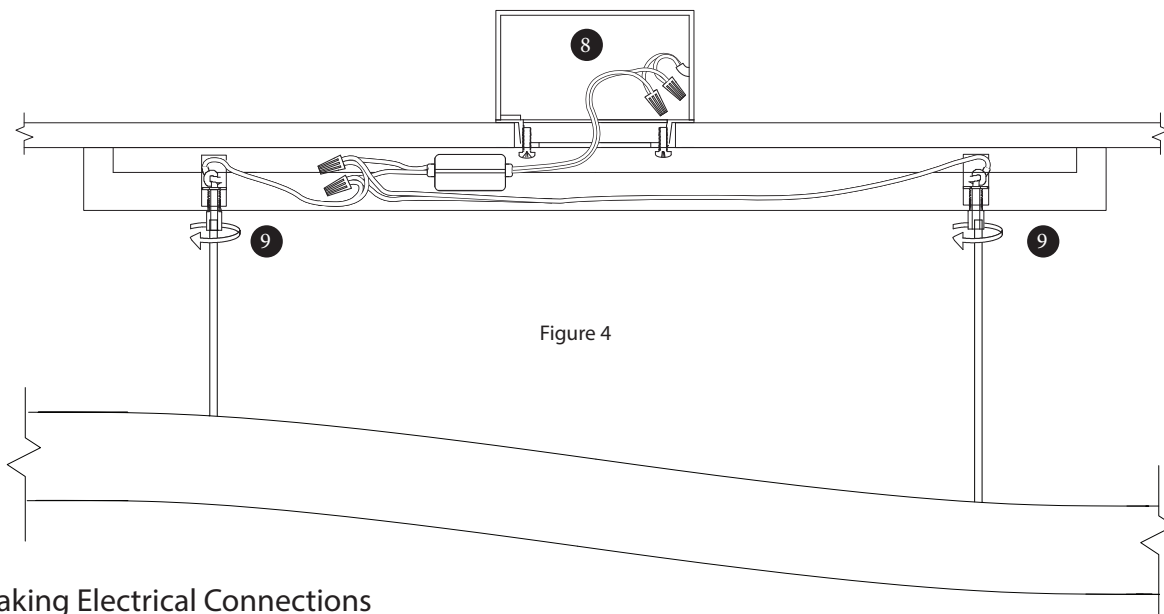


Figure 4

### Making Electrical Connections

- 7 Make electrical connections as shown in figure 2 using the supplied wire nuts.

### Securing the Canopy

- 8 After electrical connections have been made, push extra line voltage wires and wire nuts into junction box.
- 9 Slide the canopy up the cables and secure it by screwing the canopy fasteners into the crossbars.

### Important Note!

This fixture comes with a universal dimming driver that be controlled with a TRIAC, ELV, or 0-10V dimmer.

The purple and grey leads exiting from the LED driver are there to enable dimming of the fixture through the use of a compatible 0-10V dimmer. If the fixture is to be dimmed using a 0-10V dimmer, follow the wiring instructions provided with the dimmer.

If the fixture is NOT to be dimmed using a 0-10V dimmer, the tinned ends of these leads should be snipped off and the leads should be capped individually such that they remain isolated from one another.

The wiring diagram below only applies if the fixture is to be controlled by a 0-10V dimmer.

