

BROX CUBE 12 PENDANT

PRODUCT FEATURES

- The Brox system allows multi-dimensionality for suspending unique geometric shapes, linear lighting, task lighting, or a distinctive light sculpture
- Customize your design with countless configurations
- Available in Nightshade Black Finish
- Light bars rotate 360 degrees and are lockable for direct or indirect illumination
- System includes all components required for installation
- Protected by a 5-year warranty. Please visit the "About Us" Page on techlighting.com for more for warranty details



Black



Black

LAMPING

Includes 15.6 watts, 926.4 total delivered lumens, 3000K LED modules. Dimmable with most LED compatible ELV and TRIAC dimmers. Can be installed on a sloped ceiling up to 45°.

ORDERING INFORMATION

700BRX	SHAPE OR SIZE	CRI	COLOR TEMP	LENGTH (A)	FINISH	LAMP
	C CUBE	L9 90 CRI	30 3000K	12.12"	B NIGHTSHADE BLACK	R 24V REMOTE CANOPY S 24V SURFACE CANOPY

700BRX _____

JOB NAME _____

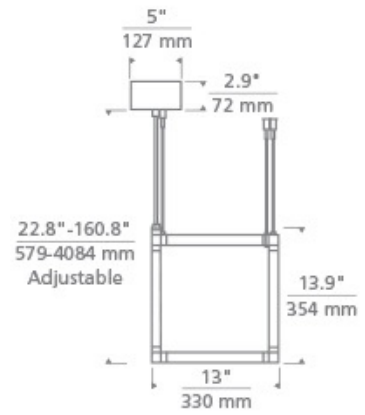
NOTES _____



BROX CUBE 12 PENDANT

SPECIFICATIONS

HARDWARE MATERIAL	Metal
SHADE MATERIAL	Acrylic
NET WEIGHT	11 lbs
HEIGHT	13.9in
WIDTH	13in
LENGTH	13in
WET LISTED	
DAMP LISTED	Yes
DRY LISTED	
GENERAL LISTING	ETL Listed
INCLUDES	



LAMPING SPECIFICATIONS

	LED LAMP	INTEGRATED LED	NON LED	NO LAMP
DELIVERED LUMENS		926.0		
WATTS		15.6		
MAX WATTAGE PER BULB		15.6W		
INPUT VOLTAGE				
DIMMING TYPE*		ELV		
CCT		3000K		
CRI		90 CRI		
LED LIFETIME				
L70		>50000		
AVERAGE BULB HOURS				
FIELD SERVICEABLE LED				
LAMP BASE		Integrated LED		
LAMP SHAPE		Integrated LED		
LAMP INCLUDED?		Y		
WARRANTY**		5 Years		

*Dimming information available at www.techlighting.com/Downloads#dimming

** Visit techlighting.com for specific warranty limitations and details.

T20 / T24 INFORMATION

	Integrated LED	Replacement LED Lamp	No Lamp *
This product can be used to comply with California Building Energy Efficiency Standards 2016 Title 24 Part 6.	Yes		
This product can be used to comply with California Appliance Efficiency Standards 2016 Title 20 and may be shipped to and sold in California.	N/A		

* If a light fixture or component does not include a lamp or light source, it is the responsibility of the customer to select a lamp that meets the T24 and T20 requirements.

