

INSTALLATION INSTRUCTIONS

FOR P5321-077-L/P5322-077-L/P5323-077-L/P5324-077-L

For Wall Mount Fixture

WARNING! SHUT POWER OFF AT FUSE OR CIRCUIT BREAKER.

PREPARATION

1. Shut off power at the fuse box or circuit breaker box. If necessary remove the old fixture and mounting hardware.
2. Carefully unpack your new fixture and lay out all the parts on a clear area. Take care not to lose any small parts necessary for installation.

MOUNTING THE FIXTURE (FIG. 1)

Secure mounting back plate (B) to junction box (A) using junction boxes screws (C) (Size: 8-32*1/2"L). The side of the mounting back plate marked "GND" must face out.

CONNECTING THE WIRES (FIG. 2)

3. At this point, connect the electrical wires as shown in Fig. 2, making sure that all wire connectors (E) are secured. If your outlet has a ground wire (green or bare copper), connect the fixture's ground wire to it. Otherwise, connect the fixture's ground wire directly to the mounting plate (B) using the green screw provided. After wires are connected, tuck them carefully inside the junction box.
4. Align the fixture's back plate (F) over the mounting back plate (B) and secure with screws (D).

FINISHING THE INSTALLATION (FIG.1)

5. Carefully twist glass shade PG5321(G) into the heat sink (H) and turn to lock into position.

CAUTION /ATTENTION: When handling the fixture, do not apply pressure to the LEDs. Hold the fixture by the back plate (F) or front bracket.

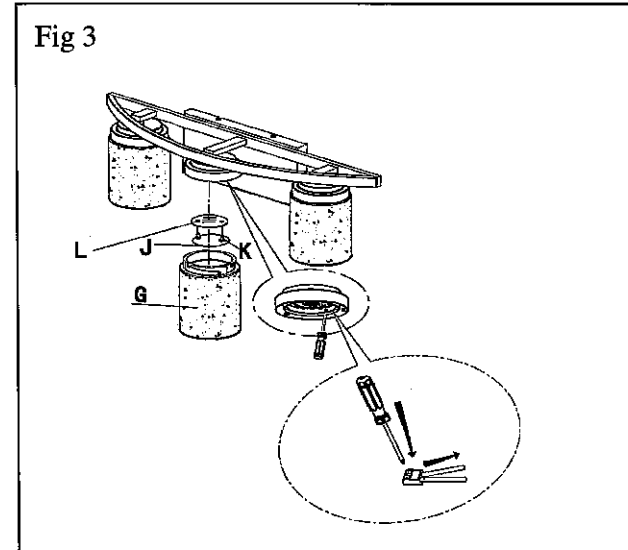
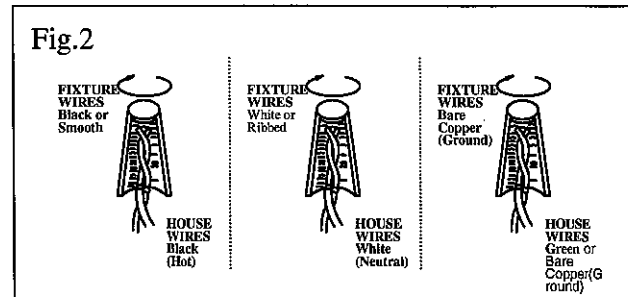
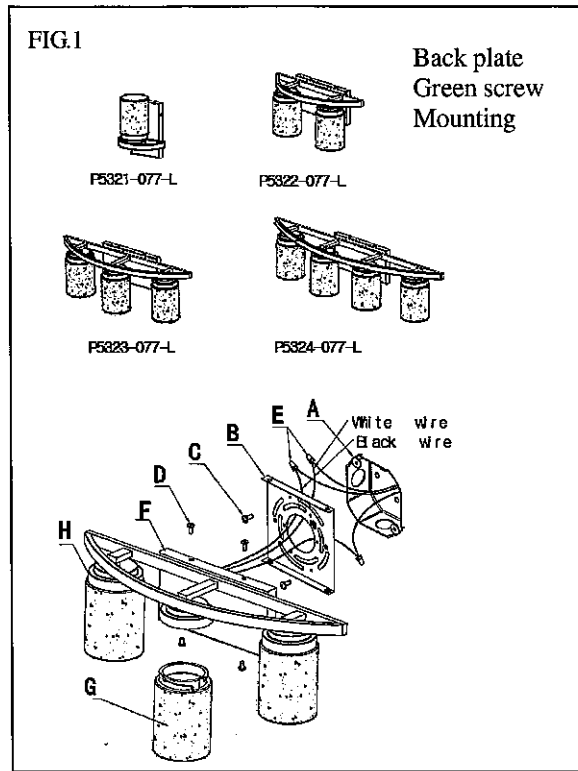
Replacing LED module (Fig. 3)

The LED module can be replaced by a qualified electrician without cutting of wire and without damage to any decorative element to which the fixture is attached. See installation steps for more details (Fig 3.)

- a. Shut off power. Twist out of glass shade PC5321 (G) and remove screws disconnect diffusers (J).
- b. Remove the wire nuts located inside the fixture back plate to disconnect the LED module.
- c. Remove screws (K) and remove the wires from connector on LED module by lightly pressing on the release button located on the top of the wire connector.
- d. Carefully remove the LED module from the heat sink
- e. Reverse steps a-d for installing the new LED module.
- f. **Note:** The LED module should be provided by a specified supplier.
- g. For better heat dissipation the LED module should be applied with thermal grease when re-lamping.

IMPORTANT: Fixture should be installed by a qualified electrician to ensure proper wiring and installation.

Dimmable with ELV and/or LED compatible wall dimmer switches.



I/M *[Signature]*
FINAL 3/4/16

