

Pablo®

BOLA SPHERE

ASSEMBLY & INSTALLATION INSTRUCTIONS

TABLE OF CONTENTS

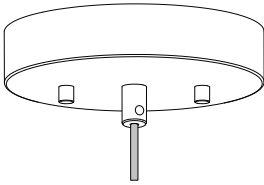
pg. 1-6.....BOLA SPHERE PENDANT
pg. 7-11.....BOLA SPHERE CHANDELIER
pg. 12-19.....BOLA SPHERE FLUSH

Pablo®

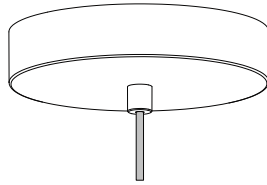
BOLA

SPHERE PENDANT

120/240V ASSEMBLY & INSTALLATION INSTRUCTIONS



CANOPY TYPE A



CANOPY TYPE B

INFO@PABLODESIGNS.COM
888 MARIN STREET
SAN FRANCISCO, CA
94124

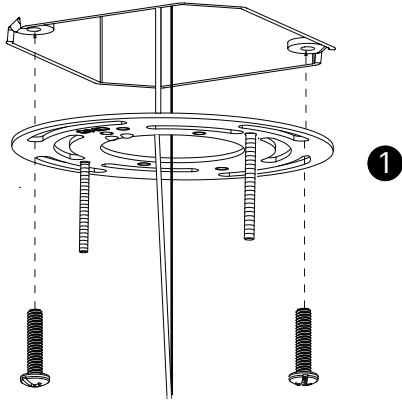
PABLODESIGNS.COM



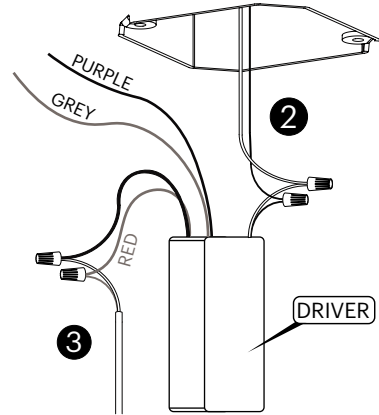
BOLA CANOPY

1. ATTACH MOUNTING PLATE TO JUNCTION BOX OR CEILING
2. WIRE TRANSFORMER TO BUILDING
(US: BLACK TO BLACK AND WHITE TO WHITE)
(EU: BLUE TO BLUE AND BROWN TO BROWN/RED)
3. CUT CORD TO DESIRED LENGTH AND PASS THROUGH CANOPY. WIRE TRANSFORMER TO LAMP
(US: BLUE TO BRAIDED AND RED TO RED)

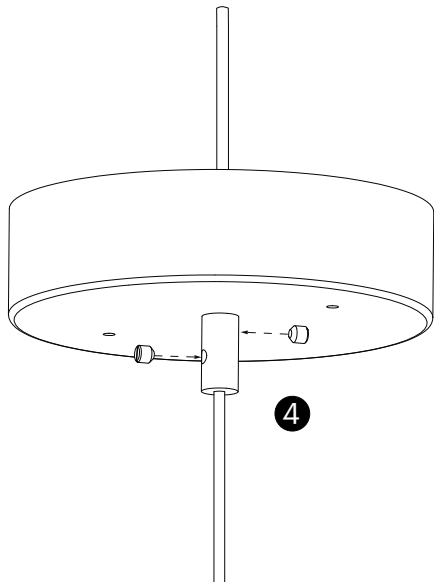
- (EU: BLACK TO BRAIDED AND RED TO RED)
NOTE: PURPLE AND GREY CORDS ARE USED ONLY WITH 0-10 V DIMMER SWITCH.
4. TIGHTEN SET SCREWS ON CORD RELIEF
 5. BRING CANOPY UP TO MOUNTING PLATE WITH BOLTS PASSING THROUGH THE HOLES
 6. SCREW BOTH CAPS DOWN, SECURING THE CANOPY



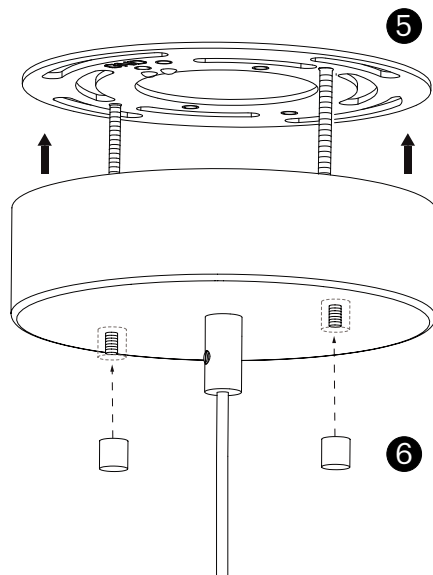
1



BOLA IS A CLASS II FIXTURE. IT DOES NOT REQUIRE GROUNDING.



4



5

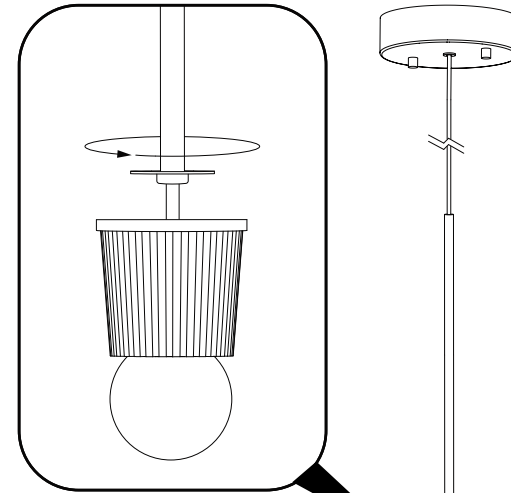
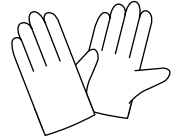
6

IMPORTANT: WE RECOMMEND CEILING MOUNTING BE INSTALLED BY AN ELECTRICIAN

LENGTH OF CORD SUPPLIED
8.9FT (270 CM)

BOLA SPHERE

USE PROVIDED GLOVES WHEN HANDLING LAMP TO AVOID FINGER MARKS.



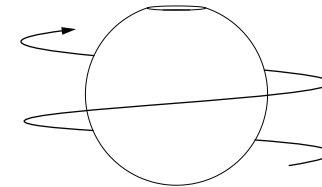
1

SCREW STEM ONTO STATIONARY HEAT SINK



2

CAREFULLY SCREW GLOBE TO HEAT SINK.



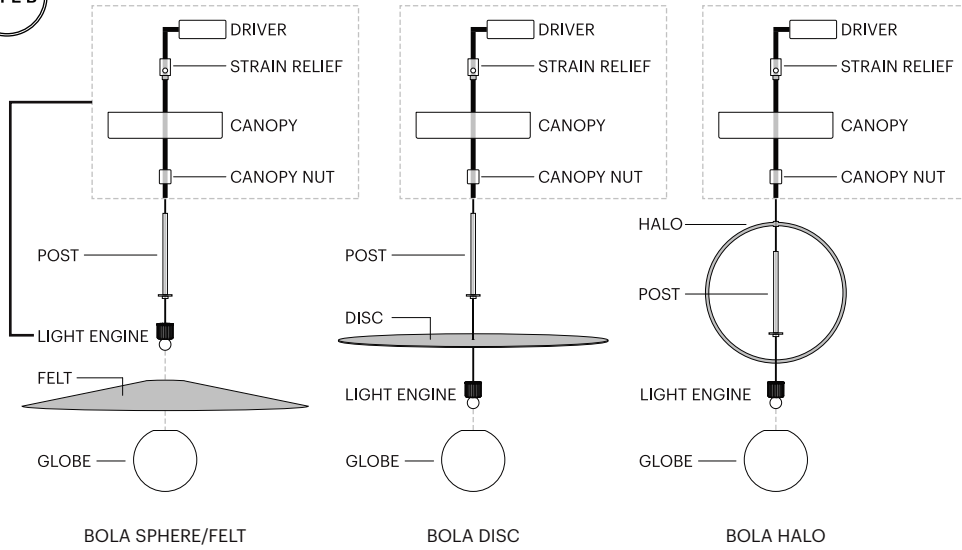
LIGHT SOURCE
LED
FULL RANGE LIGHT CONTROL VIA
0 - 10v OR ELV DIMMER

LIGHT SOURCE REPLACEMENT
CONTACT MANUFACTURER FOR REPLACEMENT

LENGTH OF CORD SUPPLIED
8.9FT (270CM)

CARE
WIPE WITH A CLEAN, DAMP CLOTH. AVOID
AMMONIA BASED CLEANERS.

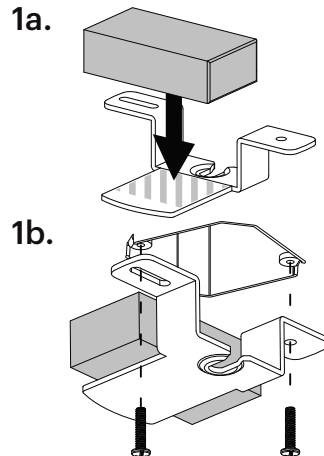
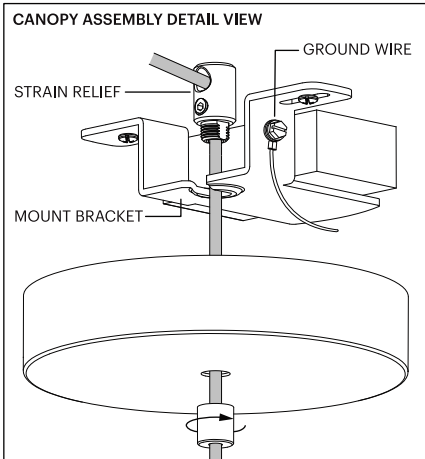
CORD PATH DIAGRAM



- 1. a** SECURE DRIVER TO MOUNT BRACKET WITH PROVIDED TAPE. **b** SECURE MOUNT BRACKET TO JUNCTION BOX OR CEILING USING APPROPRIATE ANCHOR METHODS.

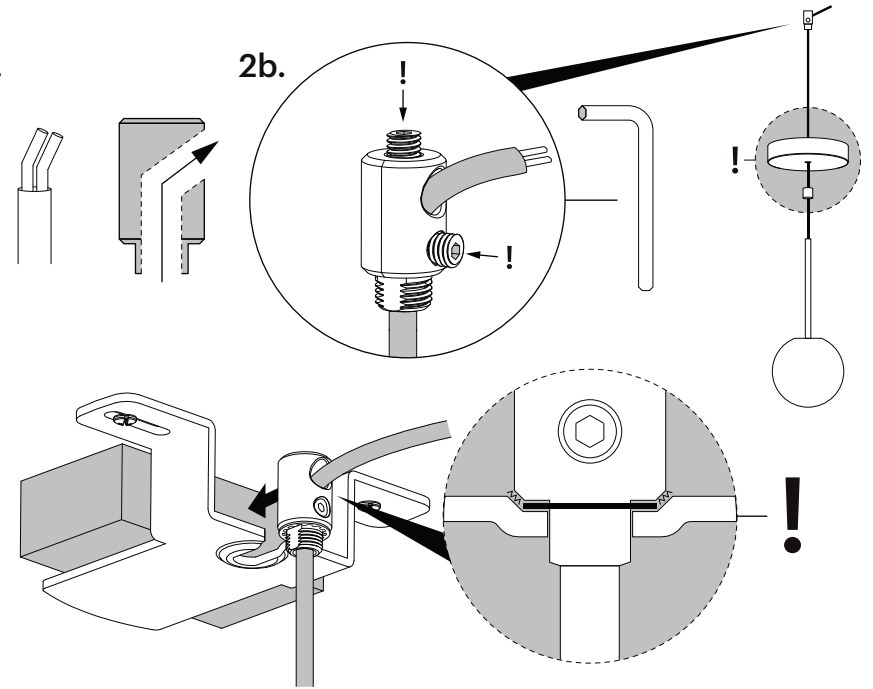
IMPORTANT! BE SURE TO REFERENCE CORD PATH DIAGRAM BEFORE MOVING ON.

- BE SURE TO WEAVE CORD THROUGH ALL NECESSARY PARTS LISTED ABOVE BASED ON LAMP MODEL.
 - a** BEND WIRE ENDS BEFORE PASSING THROUGH STRAIN RELIEF. **b** PASS CORD THROUGH STRAIN RELIEF AND SET LAMP HEIGHT BY FASTENING BOTH (TOP AND SIDE) SET SCREWS. (IF NECESSARY: TRIM EXCESS CORD)
- PLACE FASTENED STRAIN RELIEF ONTO MOUNTING BRACKET. (**NOTE! STRAIN RELIEF SHOULD NEST INTO RECESS IN BRACKET SURFACE**)
- WIRE DRIVER TO BUILDING (US : BLACK TO BLACK/WHITE TO WHITE) (EU: BLACK TO BROWN/WHITE TO BLUE)
 - NOTE: PURPLE AND GREY WIRES ARE USED ONLY IN 0-10V INSTALLATIONS.**
- WIRE DRIVER TO LAMP (RED TO RED/BLUE TO BLACK)
- SECURE CANOPY COVER TO BRACKET ASSEMBLY WITH CANOPY NUT. TIGHTEN UNTIL FIRMLY IN PLACE.



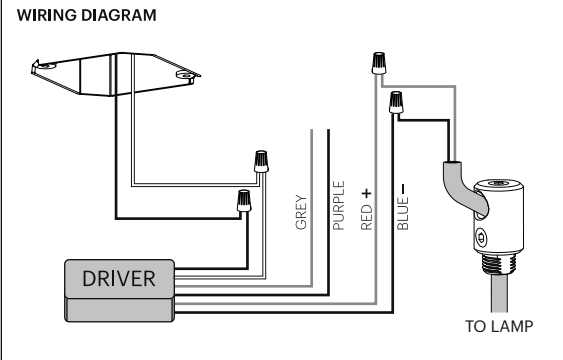
2a.

2b.

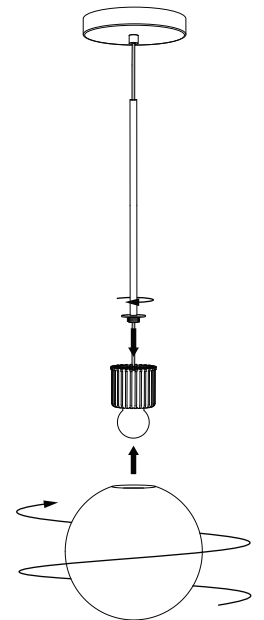


3.

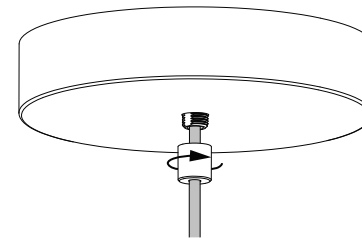
4-5.



BOLA SPHERE PENDANT ASSEMBLY



6.



GLOBE THREADS ONTO LIGHT ENGINE

Pablo®

LIGHT SOURCE

LED
FULL RANGE LIGHT CONTROL VIA
0 - 10v OR ELV DIMMER

LIGHT SOURCE REPLACEMENT

CONTACT MANUFACTURER FOR REPLACEMENT

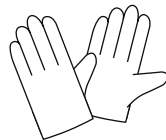
LENGTH OF CORD SUPPLIED

8.9FT (270CM)

CARE

WIPE WITH A CLEAN, DAMP CLOTH, AVOID
AMMONIA-BASED CLEANERS.

**IMPORTANT: WE RECOMMEND CEILING MOUNTING
BE INSTALLED BY AN ELECTRICIAN**



**USE PROVIDED GLOVES WHEN HANDLING LAMP
TO AVOID FINGER MARKS.**

Pablo®

BOLA SPHERE CHANDELIER

120V & 240V ASSEMBLY & INSTALLATION INSTRUCTIONS

INFO@PABLODESIGNS.COM
888 MARIN STREET
SAN FRANCISCO, CA
94124

PABLODESIGNS.COM

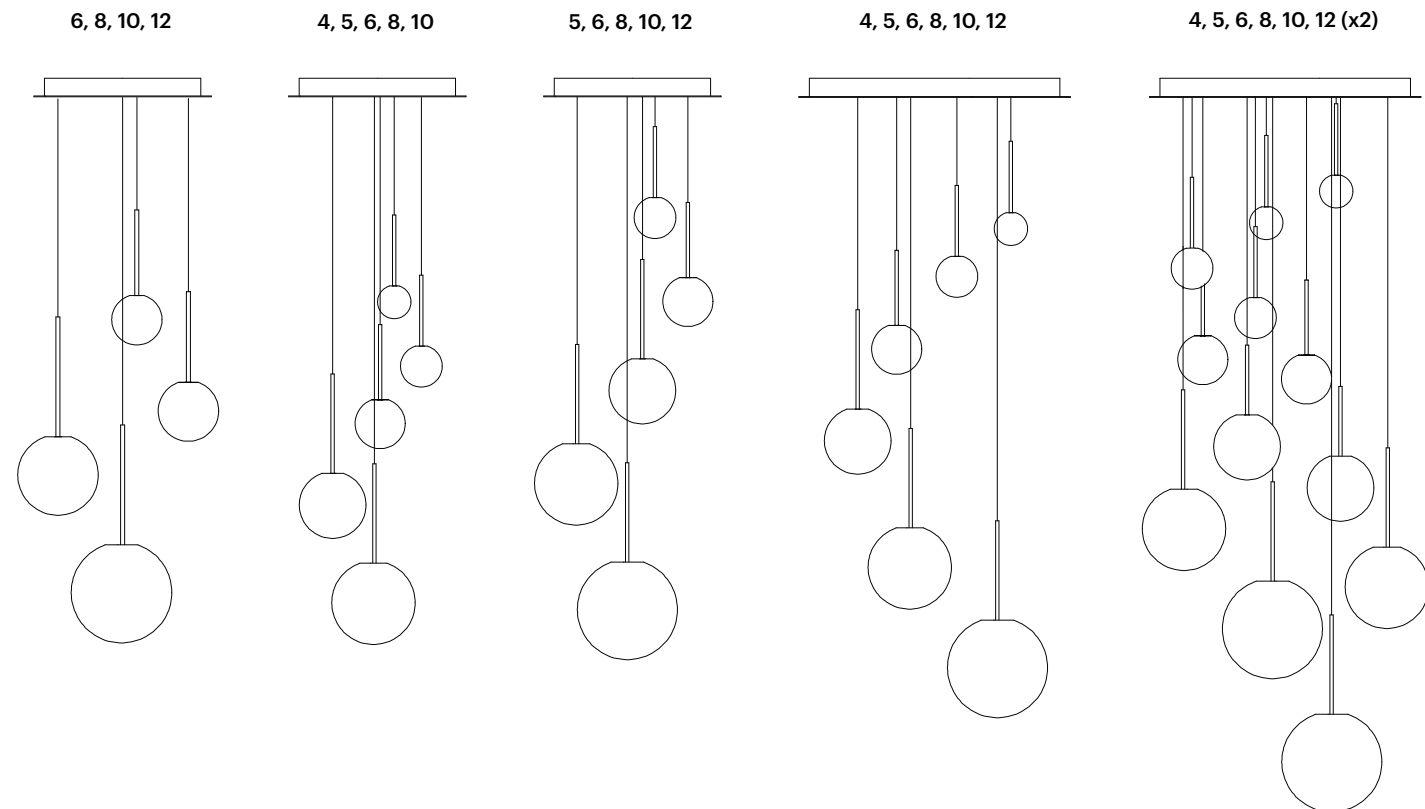
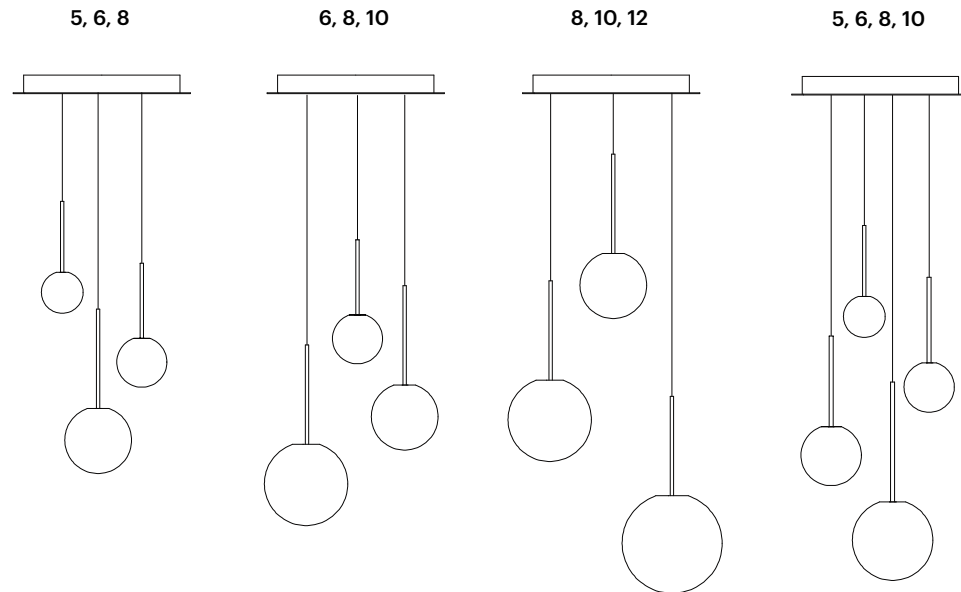


BOLA SPHERE CHANDELIER

IMPORTANT: WE RECOMMEND FIXTURE BE INSTALLED BY AN ELECTRICIAN. BOLA SPHERE CHANDELIER MUST BE SECURELY ANCHORED TO 150LBS RATED JUNCTION BOX OR MOUNTED TO CEILING STUDS.

SUGGESTED HANGING CONFIGURATIONS

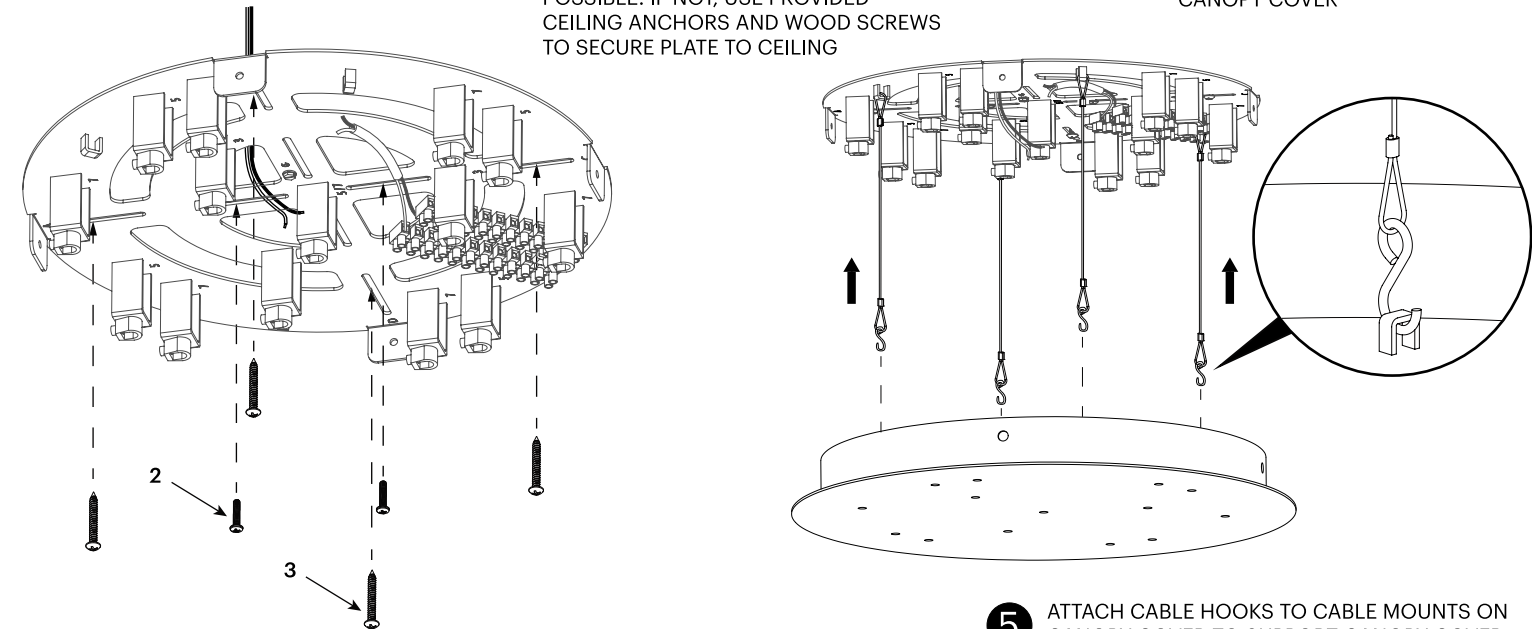
1. DETERMINE APPROPRIATE HEIGHT ABOVE SURFACE FOR LOWEST LAMP
2. SPACE EACH LAMP SUCH THAT THEY WILL NOT TOUCH EACH OTHER
3. MOVE UPWARDS IN A SPIRAL PATTERN



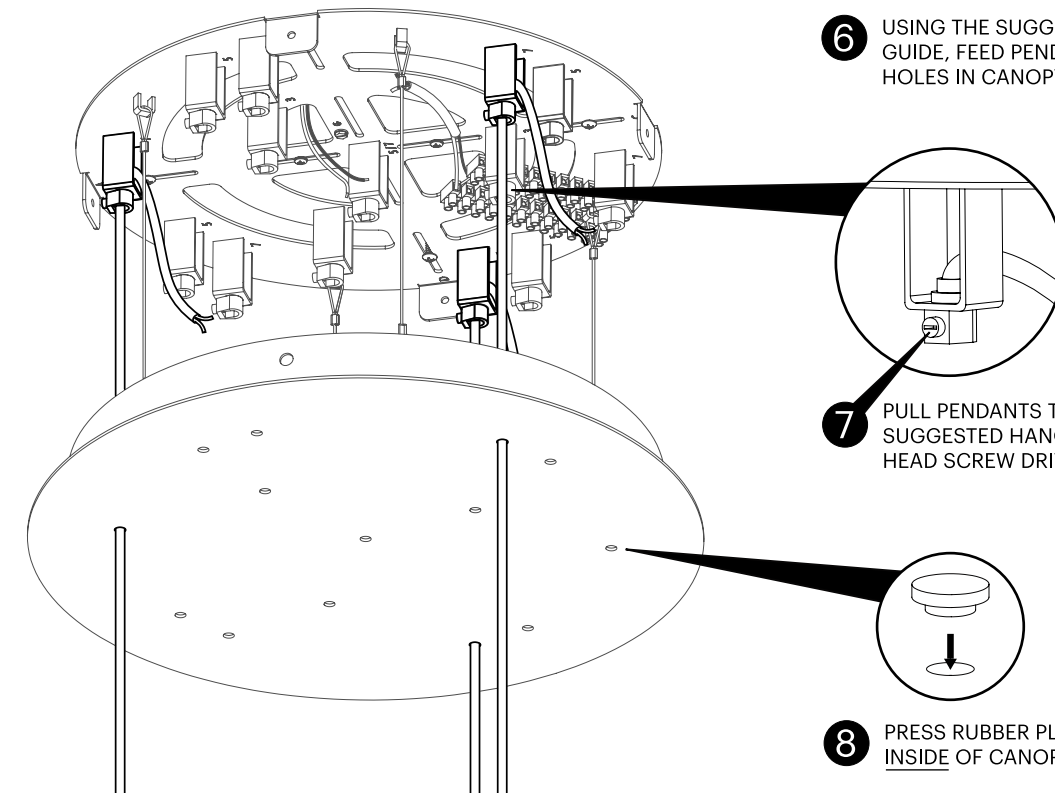
NOTE: INSTALLATION REQUIRES STANDARD PHILLIPS HEAD SCREW DRIVER AND #2 FLAT HEAD SCREW DRIVER

BOLA SPHERE CHANDELIER

- 1** ROUTE BUILDING WIRING THROUGH MOUNTING PLATE
- 2** ATTACH PLATE TO JUNCTION BOX WITH PROVIDED JUNCTION BOX MACHINE SCREWS
- 3** ANCHOR PLATE INTO CEILING STUDS WITH PROVIDED WOOD SCREWS IF POSSIBLE. IF NOT, USE PROVIDED CEILING ANCHORS AND WOOD SCREWS TO SECURE PLATE TO CEILING
- 4** ALIGN HOLES ON MOUNTING PLATE WITH CORRESPONDING HOLES ON CANOPY COVER
- 5** ATTACH CABLE HOOKS TO CABLE MOUNTS ON CANOPY COVER TO SUPPORT CANOPY COVER DURING INSTALLATION. CABLE HOOKS MUST REMAIN ATTACHED TO CANOPY COVER TO ENSURE SAFE INSTALLATION



- 6** USING THE SUGGESTED HANGING CONFIGURATION AS A GUIDE, FEED PENDANT CORDS THROUGH ASSIGNED HOLES IN CANOPY COVER AND STRAIN RELIEFS
- 7** PULL PENDANTS TO DESIRED HEIGHT REFERENCING SUGGESTED HANGING CONFIGURATIONS. USE #2 FLAT HEAD SCREW DRIVER TO SET STRAIN RELIEFS
- 8** PRESS RUBBER PLUGS INTO UNUSED HOLES FROM INSIDE OF CANOPY COVER

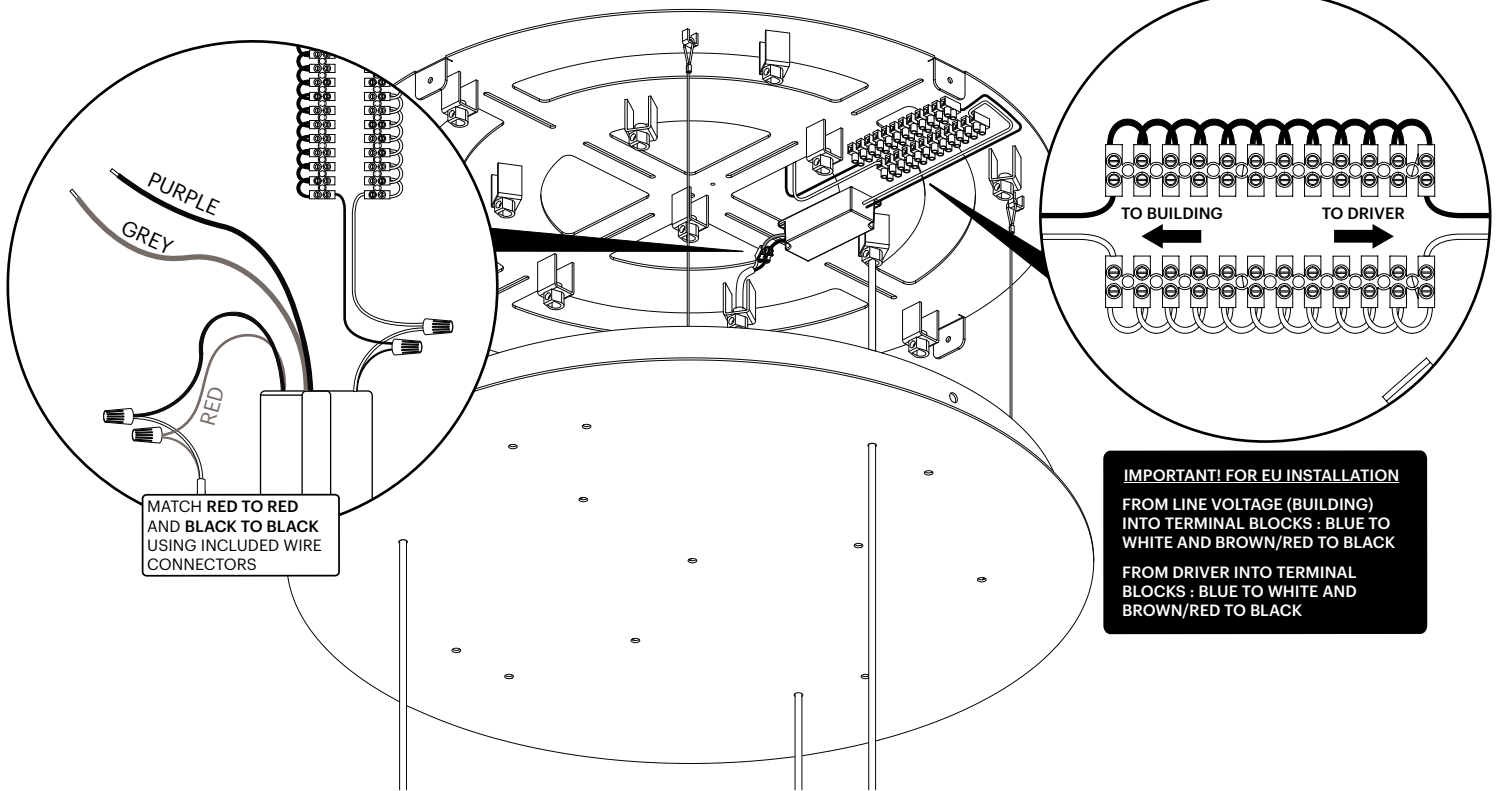


NOTE: INSTALLATION SHOWN IS FOR BOLA SPHERE CHANDELIER 3. FOR BOLA SPHERE CHANDELIER 5 AND 7, FOLLOW THE SAME WIRING PROCESS USING THE HOLE PLACEMENT OUTLINED IN SUGGESTED HANGING CONFIGURATIONS.

BOLA SPHERE CHANDELIER

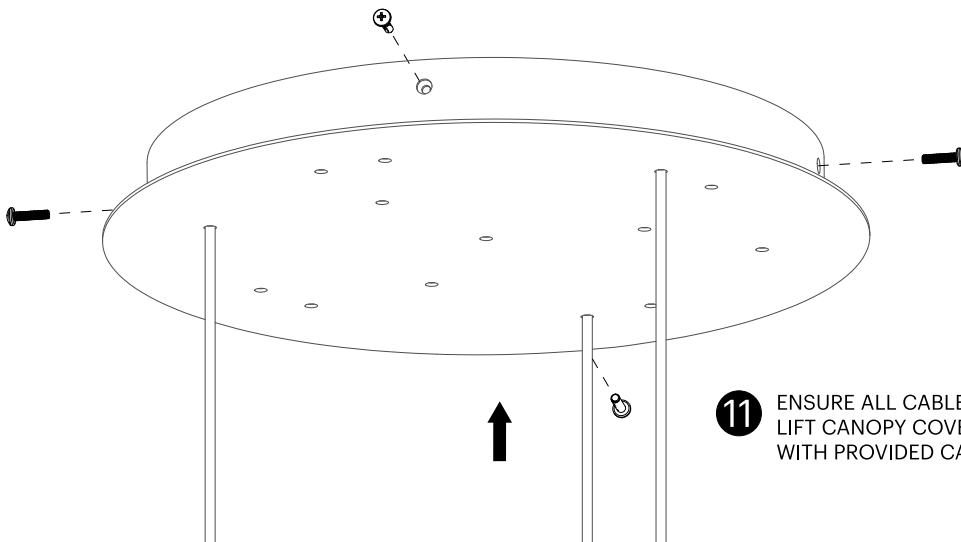
9 **FIXTURE WIRING**
 CONNECT FIXTURE WIRING TO 2 POLE CONNECTOR
 ON DC OUTPUT SIDE OF TRANSFORMER AS SHOWN.
IMPORTANT! ONE TRANSFORMER PER LAMP.

10 **BUILDING WIRING**
 CONNECT AC INPUT SIDE OF TRANSFORMER TO
 TERMINAL BLOCKS AS SHOWN AND SECURE
 WITH A #2 FLAT HEAD SCREWDRIVER



IMPORTANT! FOR EU INSTALLATION
 FROM LINE VOLTAGE (BUILDING)
 INTO TERMINAL BLOCKS : BLUE TO
 WHITE AND BROWN/RED TO BLACK
 FROM DRIVER INTO TERMINAL
 BLOCKS : BLUE TO WHITE AND
 BROWN/RED TO BLACK

NOTE: PURPLE AND GREY CORDS ARE USED ONLY WITH 0-10 V DIMMER SWITCH AND SHOULD NEVER BE ATTACHED TO THE TERMINAL BLOCK. CONTACT PABLO IF FURTHER INSTRUCTION IS REQUIRED.



11 ENSURE ALL CABLES AND CORDS ARE TUCKED WITHIN CANOPY COVER.
 LIFT CANOPY COVER UP TO CEILING AND SECURE TO MOUNTING PLATE
 WITH PROVIDED CANOPY COVER MACHINE SCREWS

Pablo[®]

INFO@PABLODESIGNS.COM
INFO@PABLODESIGNS.EU

888 MARIN STREET
SAN FRANCISCO, CA
94124

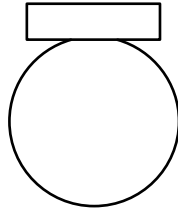
PABLODESIGNS.COM
PABLODESIGNS.EU

Pablo®

BOLA

SPHERE FLUSH

USER GUIDE



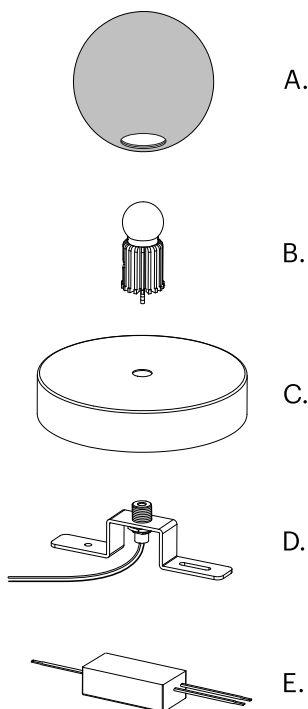
pablodesigns.com

Pablo®

BOLA SPHERE FLUSH

CONTENTS

- A. GLOBE DIFFUSER
- B. LIGHT ENGINE
- C. CANOPY
- D. MOUNT BRACKET
- E. DRIVER



SPECIFICATIONS

HIGH-OUTPUT CHIP ON BOARD
POWER CONSUMPTION: 6W(4",5"), 12W(6"), 20W(8",10",12")
COLOR TEMP: 2700-1800K WARM DIM
LUMINOSITY: 290LM(4",5"), 800LM(6"), 1625LM(8",10",12")



CARE INSTRUCTIONS

WIPE SHADES WITH SOFT CLOTH. AVOID AMMONIA BASED CLEANERS.

DE: INHALT

- A. KUGELDIFFUSOR
- B. LICHTMOTOR
- C. ÜBERDACHUNG
- D. MONTAGEHALTERUNG
- E. FAHRER

SPEZIFIKATIONEN

HOCHLEISTUNGSCHIP AN BORD
STROMVERBRAUCH: 6 W (4 ZOLL, 5 ZOLL), 12 W (6 ZOLL), 20 W
(8 ZOLL, 10 ZOLL, 12 ZOLL)
FARBTEMPERATUR: 2700-1800K WARM DIM
LEUCHTKRAFT: 290LM (4",5"), 800LM (6"), 1625LM (8",10",12")



PFLEGEHINWEISE

WISCHEN SIE DIE FARBTÖNE MIT EINEM WEICHEN TUCH AB. VERMEIDEN
SIE REINIGUNGSMITTEL AUF AMMONIAKBASIS.

FR: CONTENU

- A. GLOBE DIFFUSEUR
- B. MOTEUR LUMINEUX
- C. AUVENT
- D. SUPPORT DE MONTAGE
- E. CONDUCTEUR

CARACTÉRISTIQUES

PUCE À HAUT RENDEMENT INTÉGRÉE
CONSOMMATION ÉLECTRIQUE : 6W(4",5"), 12W(6"),
20W(8",10",12")
TEMPÉRATURE DE COULEUR: 2700-1800K WARM DIM
LUMINOSITÉ : 290LM(4",5"), 800LM(6"), 1625LM(8",10",12")



ISTRUZIONI D'ENTRETIEN

ESSUYEZ LES TEINTES AVEC UN CHIFFON DOUX. ÉVITEZ LES NETTOYANTS À BASE D'AMMONIAC.

IT: CONTENUTI

- A. DIFFUSORE GLOBO
- B. MOTORE LEGGERO
- C. TETTOIA
- D. STAFFA DI MONTAGGIO
- E. CONDUCENTE

SPECIFICHE

CHIP A BORDO AD ALTO RENDIMENTO
CONSUMO ENERGETICO: 6W(4",5"), 12W(6"), 20W(8",10",12")
TEMP. COLORE: 2700-1800K CALDO DIM
LUMINOSITÀ: 290LM(4",5"), 800LM(6"), 1625LM(8",10",12")

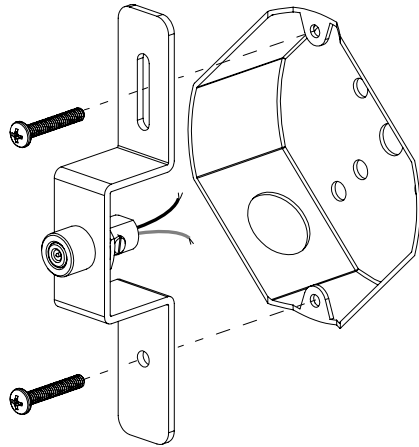


ISTRUZIONI PER LA CURA

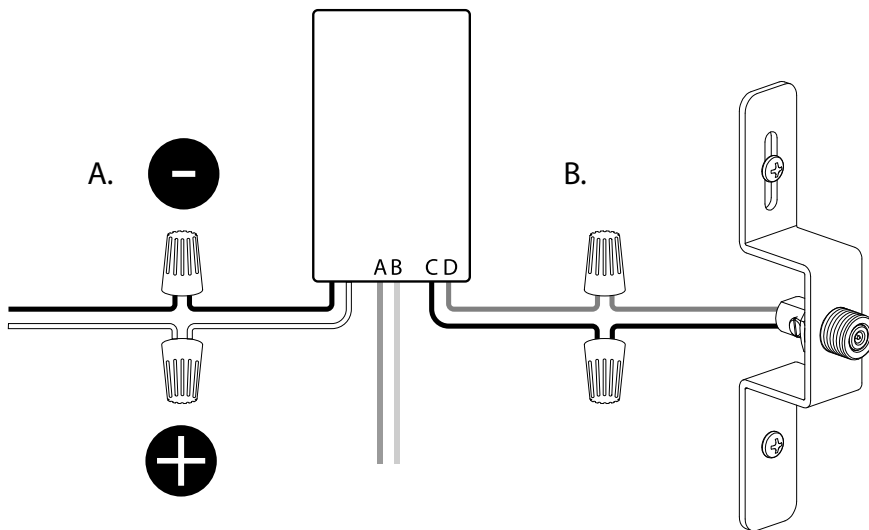
PULIRE LE TONALITÀ CON UN PANNINO MORBIDO. EVITA I DETERGENTI A BASE DI AMMONIACA.

BOLA SPHERE FLUSH

1.



2.



EN: ASSEMBLY

1. SECURE MOUNT BRACKET TO JUNCTION BOX OR CEILING.
2. A. WIRE DRIVER TO BUILDING (US: WHITE TO WHITE/BLACK TO BLACK)(EU: + TO WHITE/- TO BLACK)
- B. WIRE DRIVER TO LAMP (C-BLUE TO BLACK/D-RED TO RED)

DE: MONTAGE

1. BEFESTIGEN SIE DIE HALTERUNG AM ANSCHLUSSKASTEN ODER AN DER DECKE.
2. A. TREIBER ZUM GEBÄUDE VERKABELN (USA: WEIß ZU WEIß/SCHWARZ ZU SCHWARZ)
(EU: + ZU WEIß/- ZU SCHWARZ)
- B. DRAHTTREIBER ZUR LAMPE (C-BLAU ZU SCHWARZ/D-ROT ZU ROT)

FR: ASSEMBLÉ

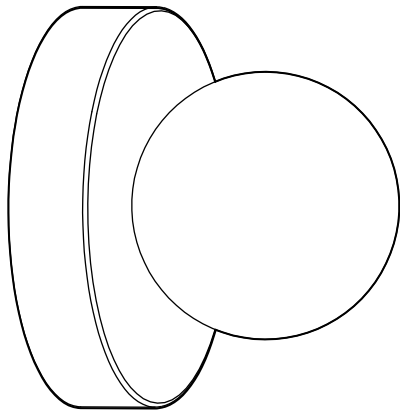
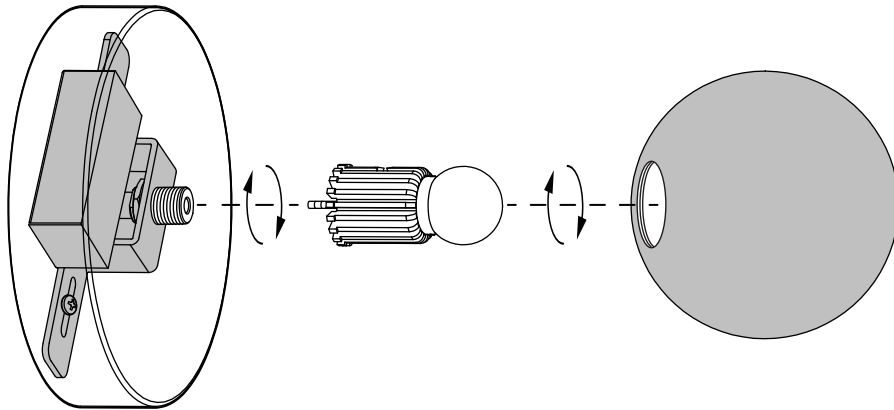
1. FIXEZ LE SUPPORT DE MONTAGE À LA BOÎTE DE JONCTION OU AU PLAFOND.
2. A. WIRE DRIVER TO BUILDING (USA : BLANC À BLANC/NOIR À NOIR)
(EU : + À BLANC/- À NOIR)
- CONDUCTEUR DE B. WIRE À LA LAMPE (C-BLEU AU NOIR/D-ROUGE AU ROUGE)

IT: MONTAGGIO

1. FISSARE LA STAFFA DI MONTAGGIO ALLA SCATOLA DI GIUNZIONE O AL SOFFITTO.
2. A. WIRE DRIVER TO BUILDING (USA: BIANCO A BIANCO/NERO A NERO)
(EU: + A BIANCO/- A NERO)
- B. WIRE DRIVER ALLA LAMPADA (C-BLU AL NERO/D-ROSSO AL ROSSO)

BOLA SPHERE FLUSH

3.



EN: ASSEMBLY

3. ENCLOSE DRIVER WITH CANOPY COVER AND THREAD ON LIGHT ENGINE AND GLOBE DIFFUSER AS DEMONSTRATED.

DE: MONTAGE

3. SCHLIEßEN SIE DEN TREIBER MIT DER BALDACHINABDECKUNG AN UND SCHRAUBEN SIE IHN WIE GEZEIGT AUF DIE LICHTMASCHINE UND DEN KUGELDIFFUSOR.

FR: ASSEMBLÉ

3. ENFERMEZ LE CONDUCTEUR AVEC LA COUVERTURE D'AUVENT ET LE FIL SUR LE MOTEUR LÉGER ET LE DIFFUSEUR DE GLOBE COMME DÉMONTRÉ.

IT: MONTAGGIO

3. ENCLUDERE IL DRIVER CON LA COPERTURA DEL TETTUCCIO E INFILARE IL MOTORE DELLA LUCE E IL DIFFUSORE DEL GLOBO COME MOSTRATO.

Pablo[®]

INFO@PABLODESIGNS.COM
INFO@PABLODESIGNS.EU

888 MARIN ST
SAN FRANCISCO, CA
94124

PABLODESIGNS.COM
PABLODESIGNS.EU